

MATERIAL:  
 HOUSING MATERIAL: LCP  
 COLOR: IVORY  
 ACTUATOR MATERIAL: PA9T  
 COLOR: BLACK  
 CONTACT MATERIAL: PHOSPOR BRONZE  
 CONTACT PLATING: 100µ TIN OVER 50µ NI  
 QUALITY CLASS: 25 MATING CYCLES\*

ENVIRONNEMENTAL:  
 OPERATING TEMPERATURE: -25°C UP TO 85°C  
 FLAMMABILITY RATING: UL94-V0  
 COMPLIANCE: LEAD FREE AND ROHS

ELECTRICAL:  
 CURRENT RATING: 0.5A  
 WORKING VOLTAGE: 50V  
 INSULATION RESISTANCE: >100MOHM  
 DIELECTRIC WITHSTANDING VOLT.: 250VAC/MN  
 CONTACT RESISTANCE: 20mOHM MAX

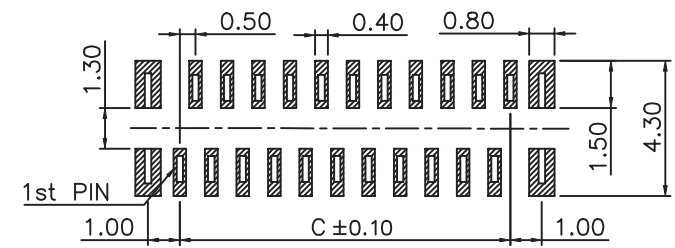
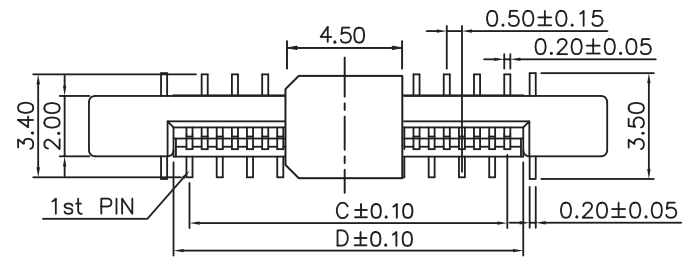
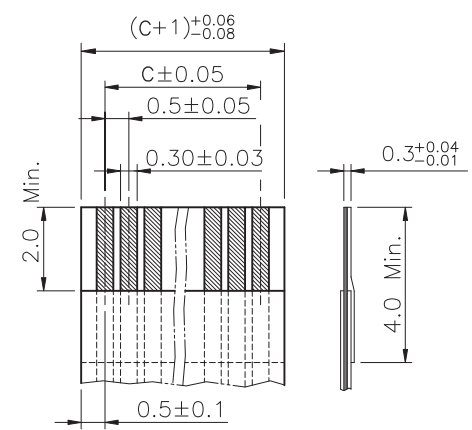
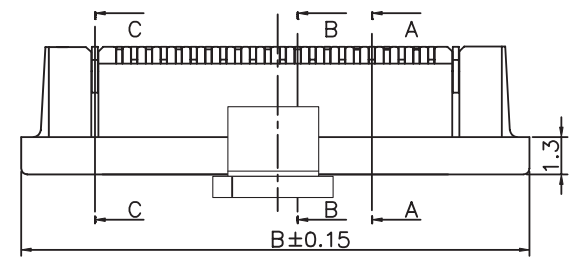
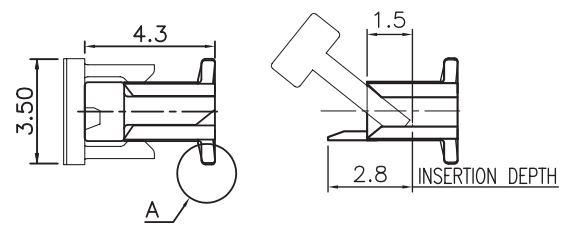
STANDARD  
 Ⓢ CERTIFIED: E323964

FOLLOWED BY 1, FOLLOWED BY 04 THRU 50, FOLLOWED BY 140 OR 145, FOLLOWED BY NUMERIC DIGITS

SOLDERING:  
 JEDEC LEAD FREE REFLOW SOLDERING

PACKAGING  
 TAPE & REEL WITH CAP

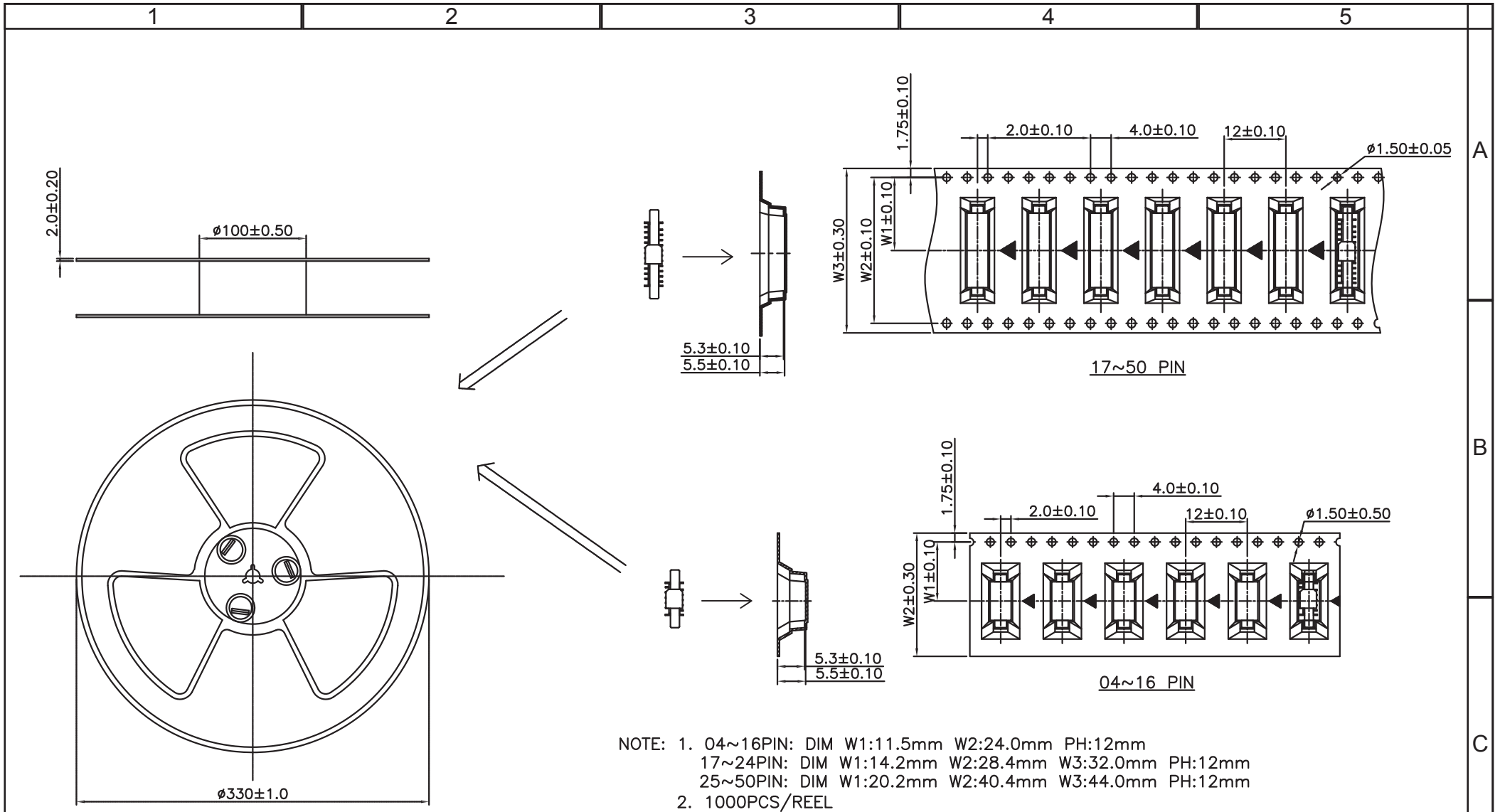
DIMENSION:  
 B = (0.50 x NB PINS) + 6.40  
 C = 0.50 x (NB PINS - 1)  
 D = 0.50 x (NB PINS + 1) + 0.10  
 E = D - 0.10

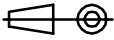



Accommodated FFC/FPC

TYPE A RECOMMENDED PCB LAYOUT - COMPONENT VIEW

RoHS Compliant		*NOTE: theoretical value related to the Tin plating; however, due to the sensitive actuator, we recommend not to make more than 1 or 2 cycles in order to maintain acceptable mechanical & electrical conditions		PROJECTION:	GENERAL TOLERANCE		DESCRIPTION: 0.5MM ZIF FPC VERTICAL CONTACT A TYPE - TAPE & REEL PACKAGING WITH CAP WERI PART NO: 687 3xx 124 422	SIZE <b>A4</b>
L	22-JUN-17	RECOMMEND. FFC	AK		.X = +/- 0.2 .XX = +/- 0.15			
K	25-APR-17	ACTUATOR MAT.	AK		APPROVAL: GMo	UNIT: MM		
J	01-JUN-15	TPK UPDATE	QL		SCALE:			
I	13-DEC-13	TPK UPDATE	QL		SHEET: 1/3			
H	18-SEP-12	MC NOTE	GG		DRAW: PEARL			
REV	DATE	FILE	BY					



RoHS Compliant				PROJECTION: 	GENERAL TOLERANCE .X = +/- 0.2 .XX = +/- 0.15		DESCRIPTION: 0.5MM ZIF FPC VERTICAL CONTACT A TYPE - TAPE & REEL PACKAGING WITH CAP	SIZE <b>A4</b>
G								
F								
E								
D								
C				APPROVAL: GMo	UNIT: MM	WERI PART NO: 687 3xx 124 422		
B					SCALE:			
A					SHEET: 2/3			
REV	DATE	FILE	BY		DRAW: QL			

1

2

3

4

5

## Cautions and Warnings:

This electronic component is designed and developed with the intention for use in general electronics equipments.

Before incorporating the components into any equipments in the field such as aerospace, aviation, nuclear control, submarine, transportation, (automotive control, train control, ship control), transportation signal, disaster prevention, medical, public information network etc. where higher safety and reliability are especially required or if there is possibility of direct damage or injury to human body, Würth Elektronik must be asked for a written approval.

In addition, even electronic component in general electronic equipments, when used in electrical circuits that require high safety, reliability functions or performance, the sufficient reliability evaluation-check for the safety must be performed before by the user before usage.

A

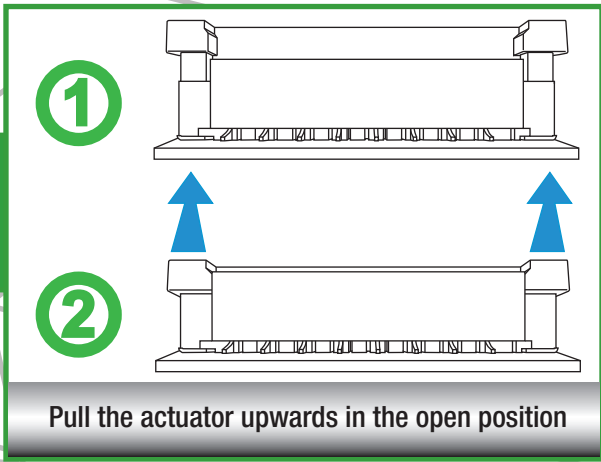
B

C

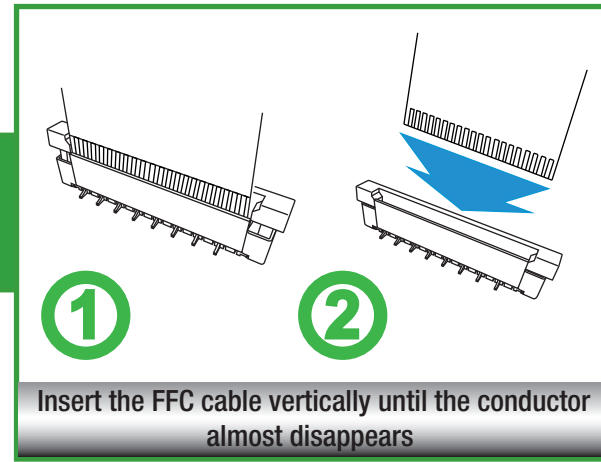
RoHS Compliant

G				PROJECTION: 	GENERAL TOLERANCE .X = +/- 0.2 .XX = +/- 0.15		
F							
E							
D							
C				APPROVAL: JC	UNIT: MM	DESCRIPTION: DISCLAIMER	SIZE <b>A4</b>
B					SCALE:		
A	10-SEP-14	PDF	QL		SHEET: 3/3	WERI PART NO: DISCLAIMER	
REV	DATE	FILE	BY		DRAW: QL		

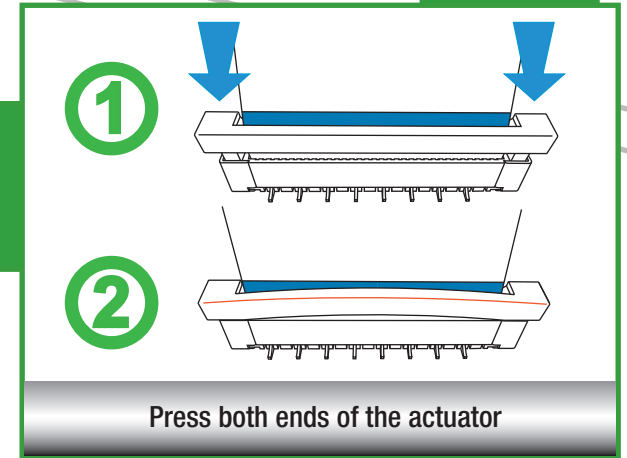
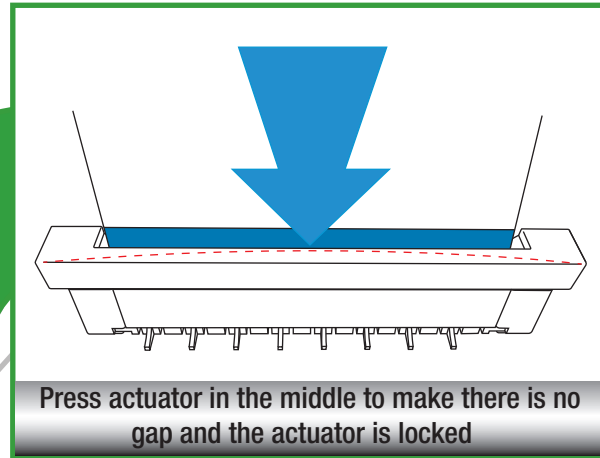
D

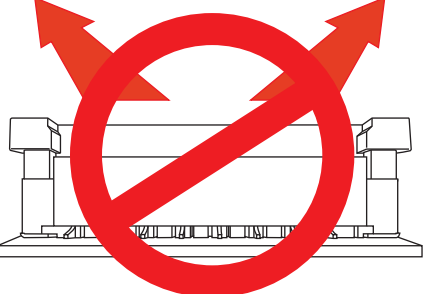


A



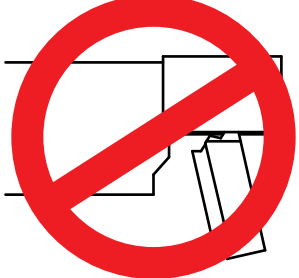
B



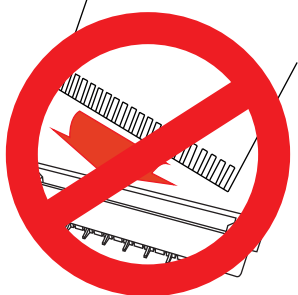


**Pull the actuator as horizontally as possible by a proper force**

**A**

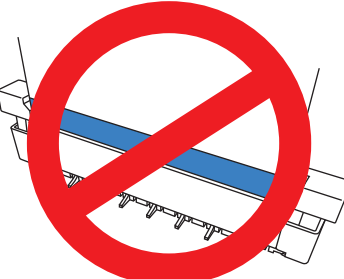


**Do not pull the actuator too far otherwise the stop limit (hook on actuator) may be broken**



**Do not keep FFC inclined when insertion**

**B**



**Don't keep conductor toward actuator**

# Mouser Electronics

Authorized Distributor

Click to View Pricing, Inventory, Delivery & Lifecycle Information:

[Wurth Elektronik:](#)

[687314124422](#)