

THIS DRAWING IS UNPUBLISHED.

RELEASED FOR PUBLICATION

20

LOC -

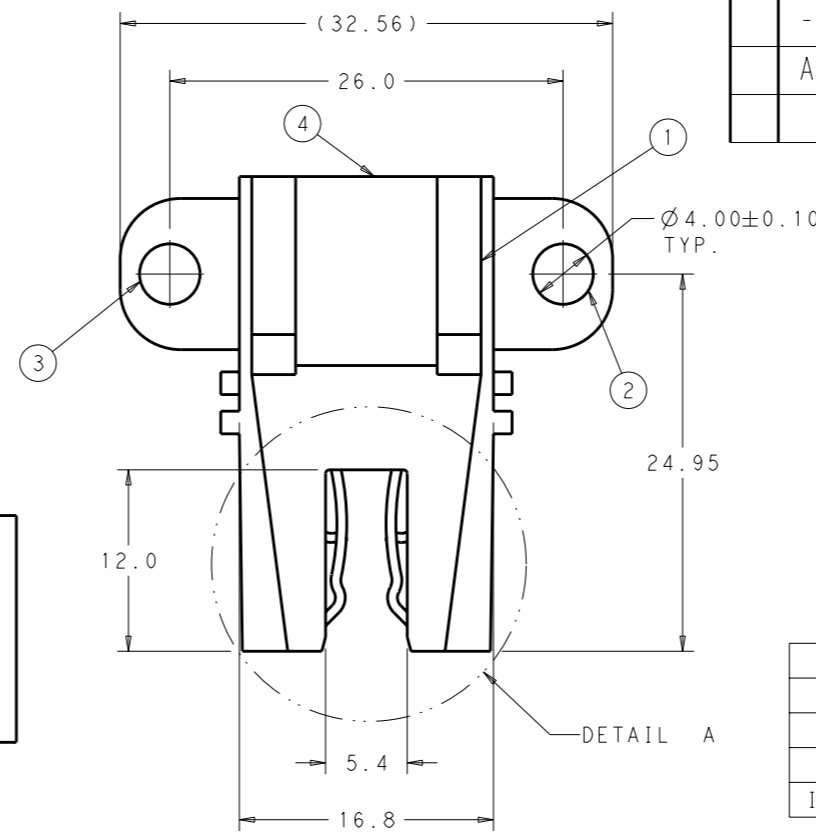
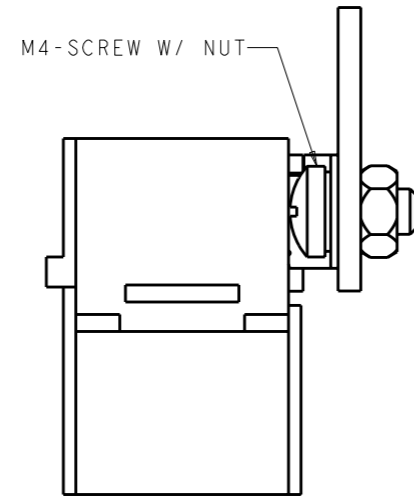
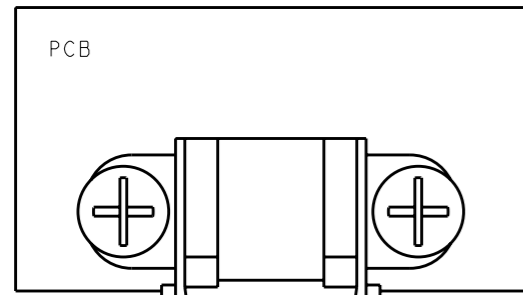
DIST -

REVISIONS

© COPYRIGHT 20

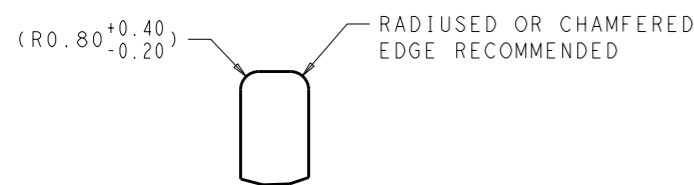
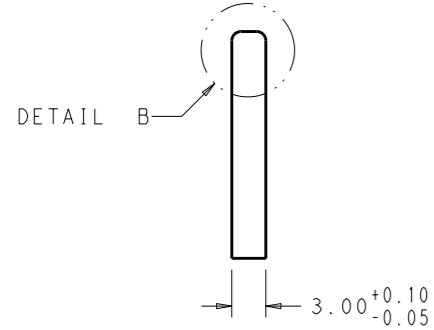
ALL RIGHTS RESERVED.

P	LTR	DESCRIPTION	DATE	DWN	APVD
-	-	-	-	-	-
-	-	-	-	-	-
A	-	INITIAL RELEASE	15JUN2011	JG	MOW

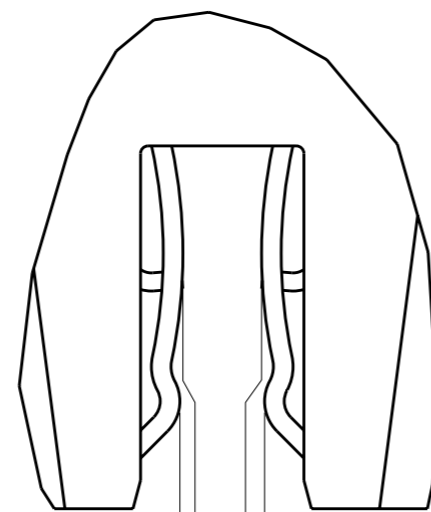


NOTES, UNLESS OTHERWISE SPECIFIED:  
 1. PLATING: 1.25um MIN. NICKEL PLATING OVER ALL, 3.0um MIN. TIN PLATING ON INDICATED AREAS.  
 2. AREA FOR DATE CODE AND P/N.  
 3. PCB, BUSBAR-CONDUCTORS, SCREWS AND NUTS IS FOR REFERENCE ONLY.

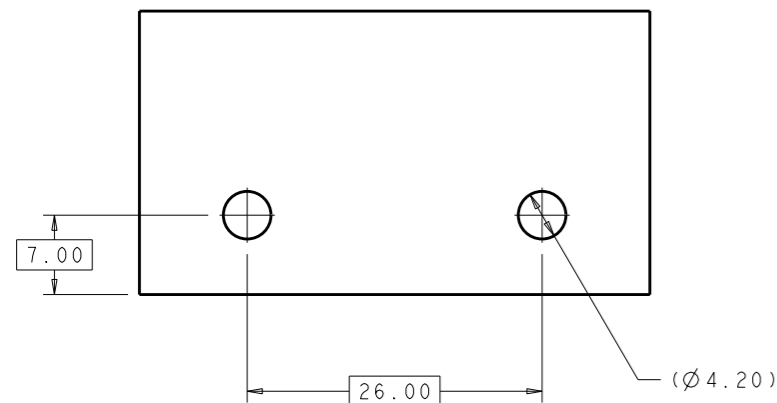
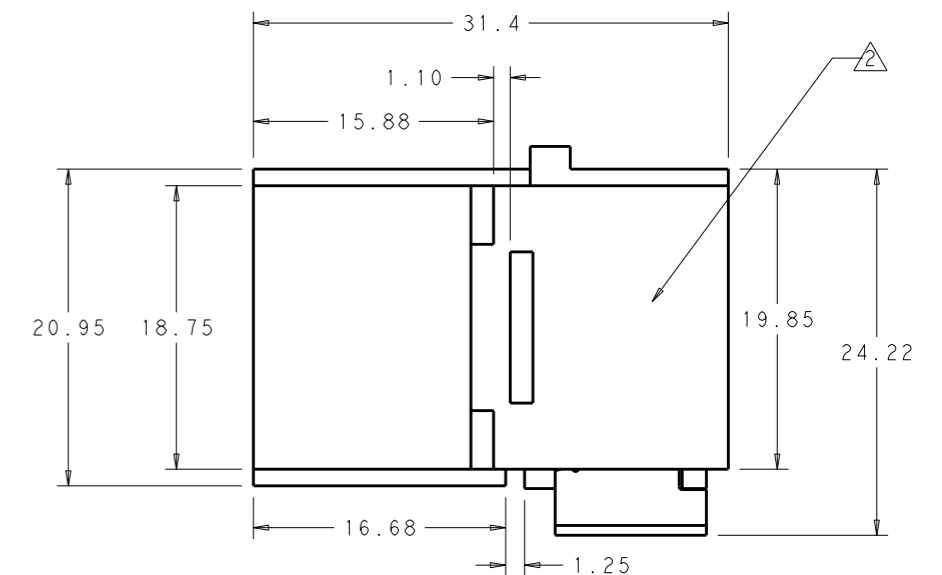
ITEM	DESCRIPTION	MATERIAL	FINISH	P/N
4	CLIP	STAINLESS STEEL	-	2170033-1
3	CONTACT LEFT	COPPER ALLOY		
2	CONTACT RIGHT	COPPER ALLOY		
1	HOUSING	PBT	BLACK	



DETAIL B SCALE 3:1



DETAIL A SCALE 4:1



RECOMMENDED PCB LAYOUT

THIS DRAWING IS A CONTROLLED DOCUMENT.

DWN JEFF GONG 30-Jan-11

CHK ALEX SHOAL 30-Jan-11

APVD ManQian Wang 30-Jan-11

PRODUCT SPEC 108-60093

APPLICATION SPEC

WEIGHT -

CUSTOMER DRAWING

**STE** TE Connectivity

NAME Crown Clip Junior Power Screw Mount

SIZE A3 CAGE CODE 300779 DRAWING NO C-2170033 RESTRICTED TO -

SCALE N/A SHEET 1 OF 1 REV A

DIMENSIONS:	TOLERANCES UNLESS OTHERWISE SPECIFIED:
mm	
	0 PLC ±-
	1 PLC ±0.25
	2 PLC ±0.15
	3 PLC ±0.05
	4 PLC ±-
	ANGLES ±2°
MATERIAL -	FINISH -

# Mouser Electronics

Authorized Distributor

Click to View Pricing, Inventory, Delivery & Lifecycle Information:

[TE Connectivity:](#)

[2170033-1](#)