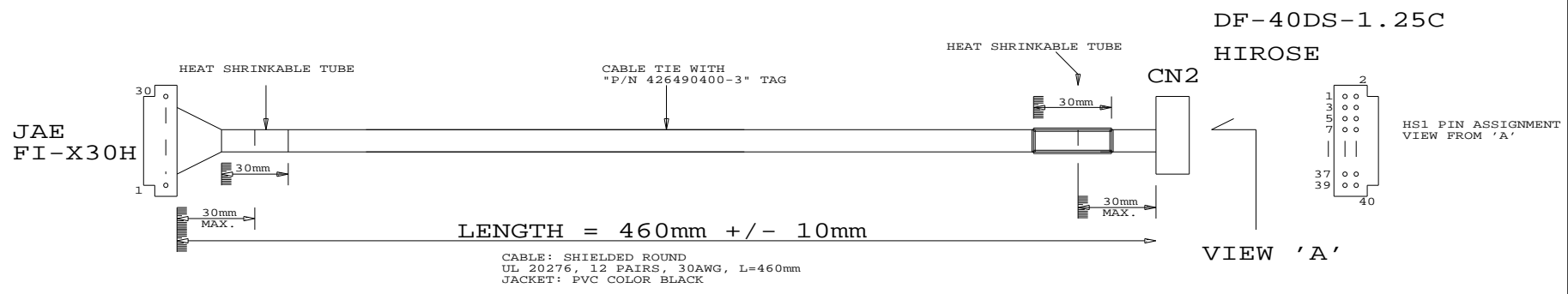


TOLERANCE :
+1.0mm
-1.0mm



USAGE:
CABLE FOR SHARP LQ315T3LZ24 PANEL
(WITH SVH-1920)

P/N 426490400-3
LVDS PANEL CABLE: LQ315T3LZ24, 460mm

RoHS
COMPLIANCE

DIGITAL VIEW LTD. COPYRIGHT 2006, ALL RIGHTS RESERVED CONFIDENTIAL		
DRAWN BY: VICTOR NG		
Title P.CABLE: FOR SHARP LQ315T3LZ24, 460mm		
Size	Document Number	REV
B	(...\DV\DV_CABLE\C6490400.SCH)	01
Date:	August 29, 2006	Sheet 1 of 1

Mouser Electronics

Authorized Distributor

Click to View Pricing, Inventory, Delivery & Lifecycle Information:

[Digital View:](#)

[426490400-3](#)