



Features:

- Motor: External Rotor Capacitor-Run Induction Motor
- Motor Protection: Thermal Protected
- Bearing Type: Two Ball
- Connection: UL 1015 AWG 22, 300mm Wire Leads or Terminal
- Frame Material: Aluminum Alloy
- Impeller Material: Plastic UL94V-0, or Steel
- **IP54 Certified**
- Operating Temp:
Two Ball: -20°C~70°C
- Life Expectancy:
Two Ball: 50,000 Hours
Two Ball: 100,000 Hours (-L)



Fan-S Division



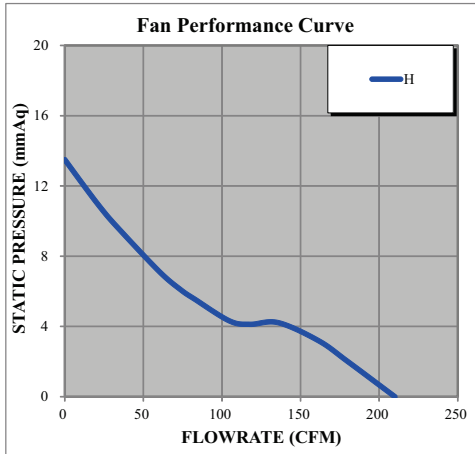
Model No.	Volt.	Freq.	Current	Power	Rated Speed	Maximum AirFlow		Maximum Static Pressure		Noise Level	Weight
	(VAC)	(Hz)	(A)	(W)	(rpm)	(CMM)	(CFM)	(InAq)	(mmAq)	(dB/A)	(g)
FDA2-17238NBH * ** F#	115	50/60	0.25/0.21	27.0/25.0	2700/3100	5.95/6.80	210/240	0.531/0.571	13.5/14.5	53.0/59.0	820
FDA2-17238QBH * ** F#	230	50/60	0.11/0.12	26.0/27.0	2700/3100	5.95/6.80	210/240	0.531/0.571	13.5/14.5	53.0/59.0	820

* Indicates "W" (Wire Leads) or "T" (Terminal)

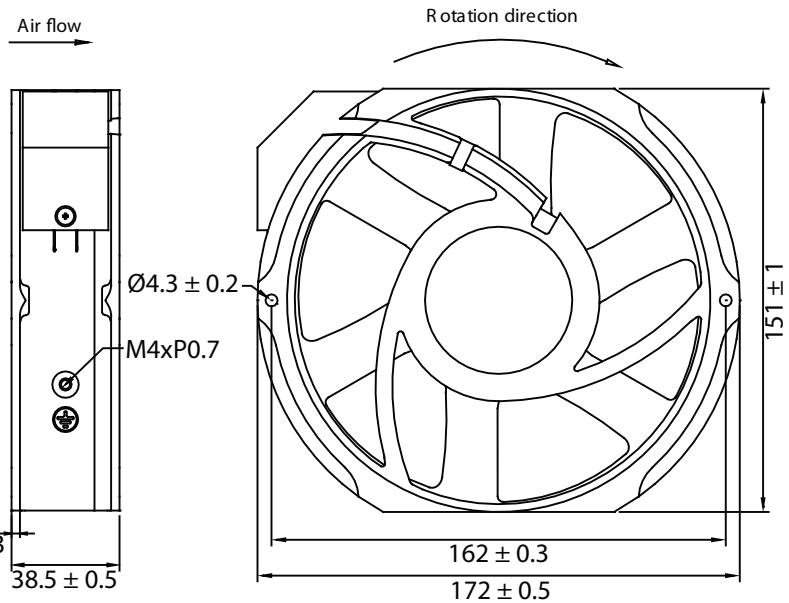
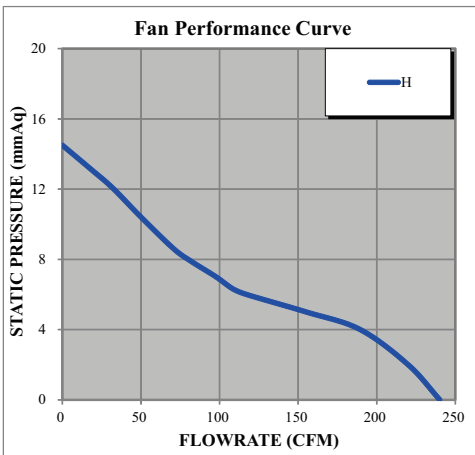
** Indicates "3" (Metal Frame, Plastic Impeller) or "4" (Metal Frame and Impeller)

Indicates "L" (100,000 Hours Life Expectancy) or Leave Blank (50,000 Hours Life Expectancy)

50Hz



60Hz



ISO-9001 Company



www.Qualtekusa.com

Mouser Electronics

Authorized Distributor

Click to View Pricing, Inventory, Delivery & Lifecycle Information:

Qualtek:

[FDA2-17238NBHT4F](#) [FDA2-17238QBHT4F](#)