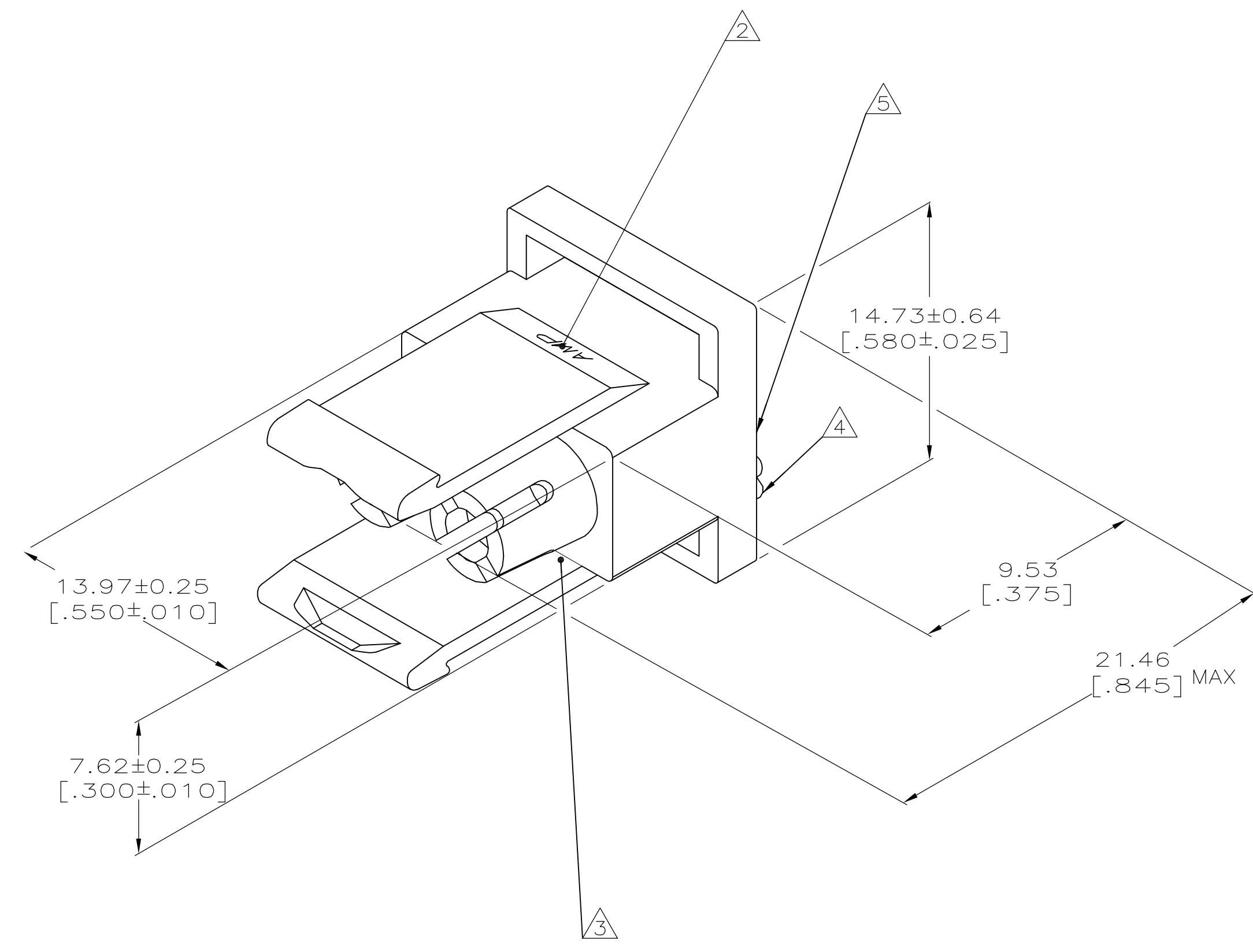


REVISIONS				
P	LR	DESCRIPTION	DATE	OWN APVD
E1		ECO-17-009556	03JUL2017	RS SW



1. MUST BE ASSEMBLED WITH PLUG FRONT P/N 770031-1 BEFORE MATING. KIT P/N IS 770017-1.
- ② AMP LOGO LOCATED THIS SURFACE.
- ③ UL AND CSA LOGOS LOCATED ON FARSIDE.
- ④ CIRCUIT NO. 1 IDENTIFICATION BUTTON LOCATED APPROXIMATELY AS SHOWN.
- ⑤ LOCATION OF CIRCUIT NUMBERS MOVE BUT WILL REMAIN ADJACENT TO APPROPRIATE CAVITY.
6. DIMENSIONS SHOWN REPRESENT PRODUCT IN DRY, AS MOLDED CONDITION. ADDITIONAL 2% GROWTH DUE TO SUBSEQUENT MOISTURE ABSORPTION MAY OCCUR AND SHOULD BE ACCOUNTED FOR
7. DIMENSIONS IN BRACKETS ARE IN INCHES.

METRIC

770032-1
PART NUMBER

THIS DRAWING IS A CONTROLLED DOCUMENT.		DWN K. SALMON 1-15-92	TE Connectivity	
DIMENSIONS: INCHES		CHK R. SWING 1-15-92	NAME PLUG REAR, 2 CIRCUIT, UNIVERSAL MATE-N-LOK	
TOLERANCES UNLESS OTHERWISE SPECIFIED: 0 PLG ± - 1 PLG ± - 2 PLG ± - 3 PLG ± 0.13 [.005] 4 PLG ± - ANGLES ± - FINISH -		APVD -	PRODUCT SPEC -	APPLICATION SPEC -
MATERIAL NYLON,UL94V-0,	WEIGHT 0.000000	SIZE A1	CAGE CODE 00779	DRAWING NO 770032
CUSTOMER DRAWING		SCALE 5:1	SHEET 1 OF 1	REV E1

Mouser Electronics

Authorized Distributor

Click to View Pricing, Inventory, Delivery & Lifecycle Information:

[TE Connectivity:](#)

[770032-1](#)