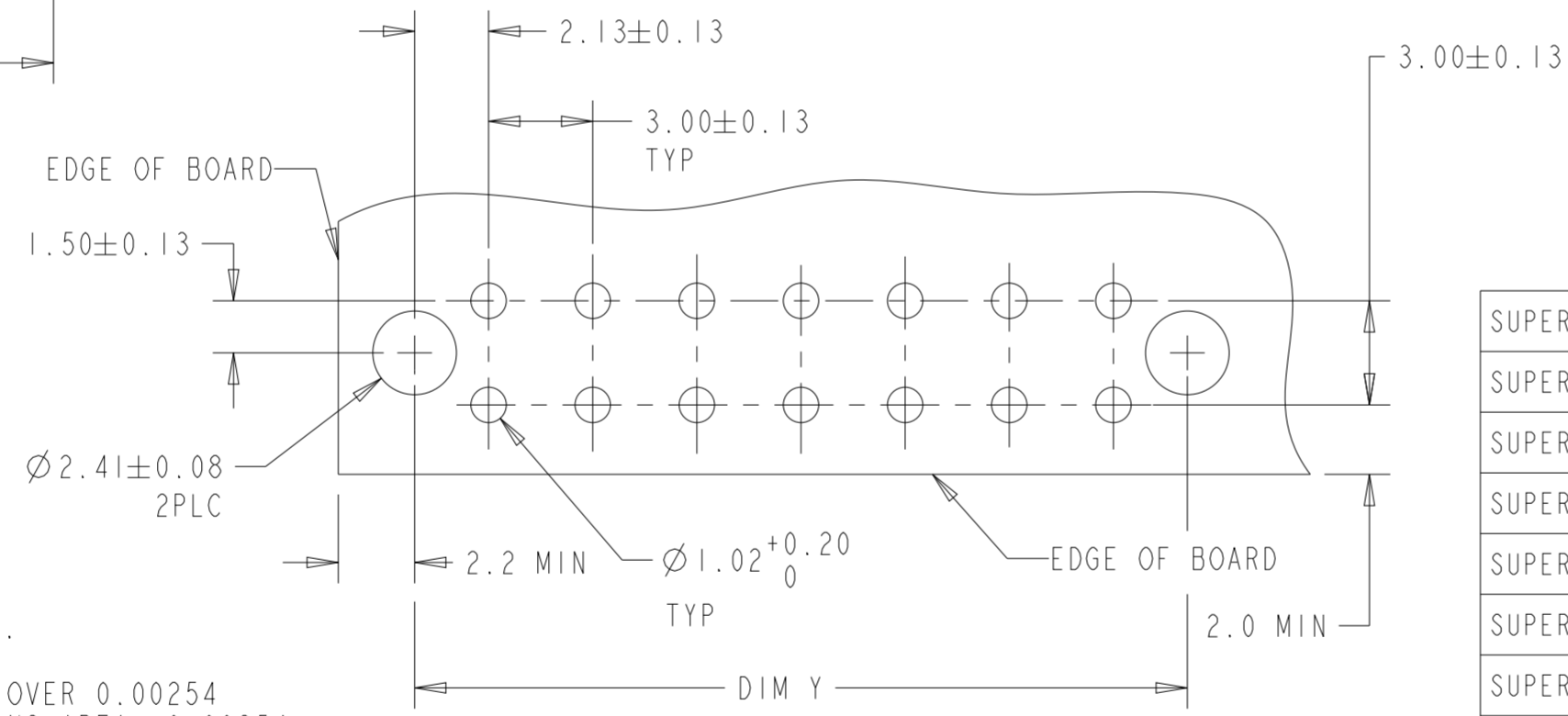
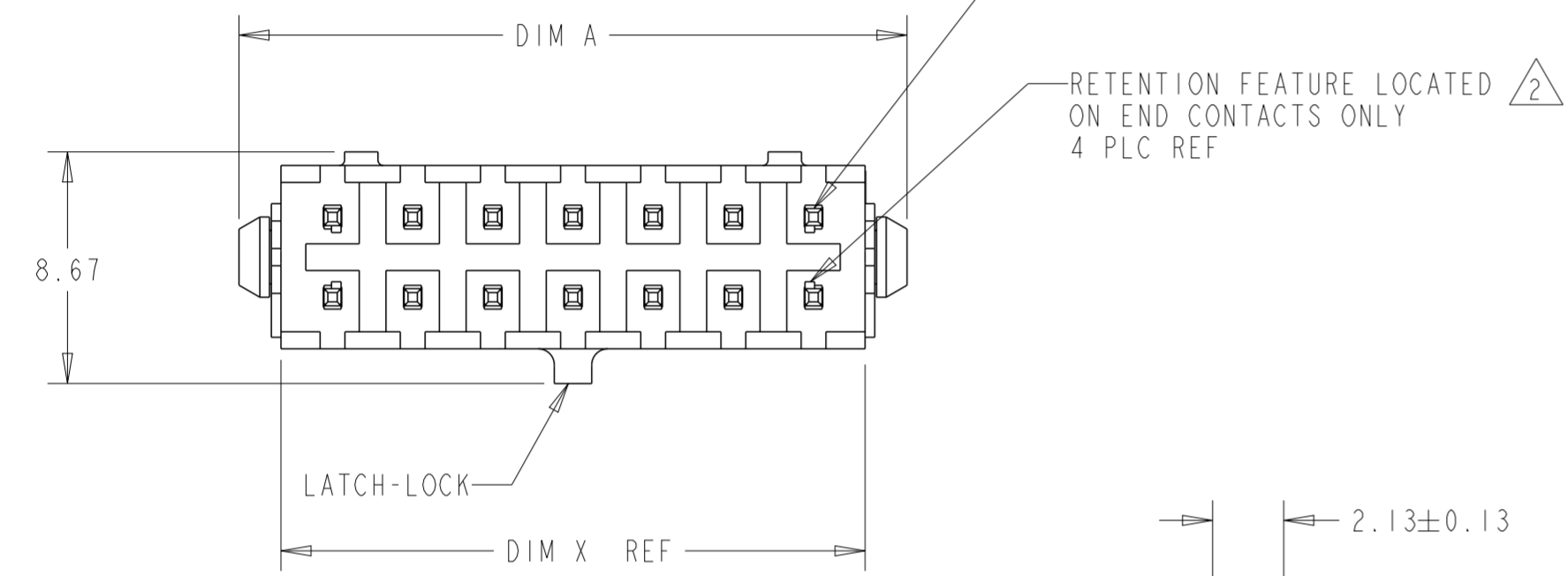
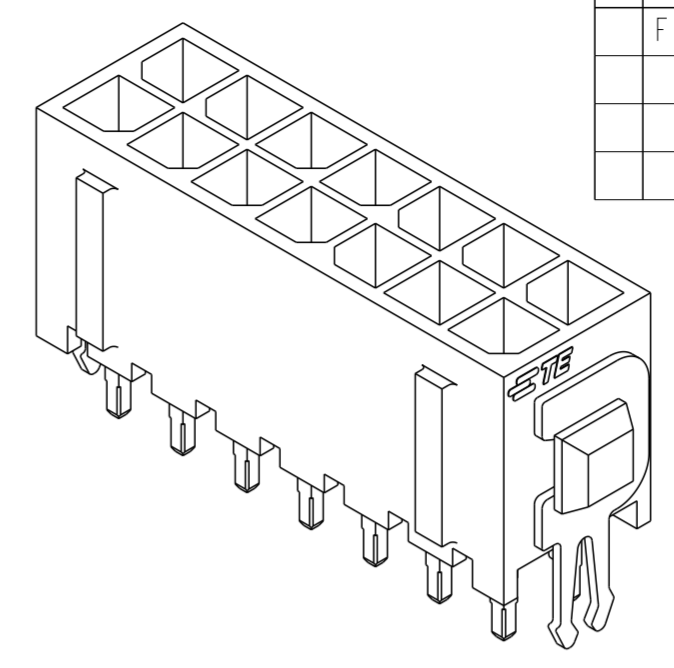
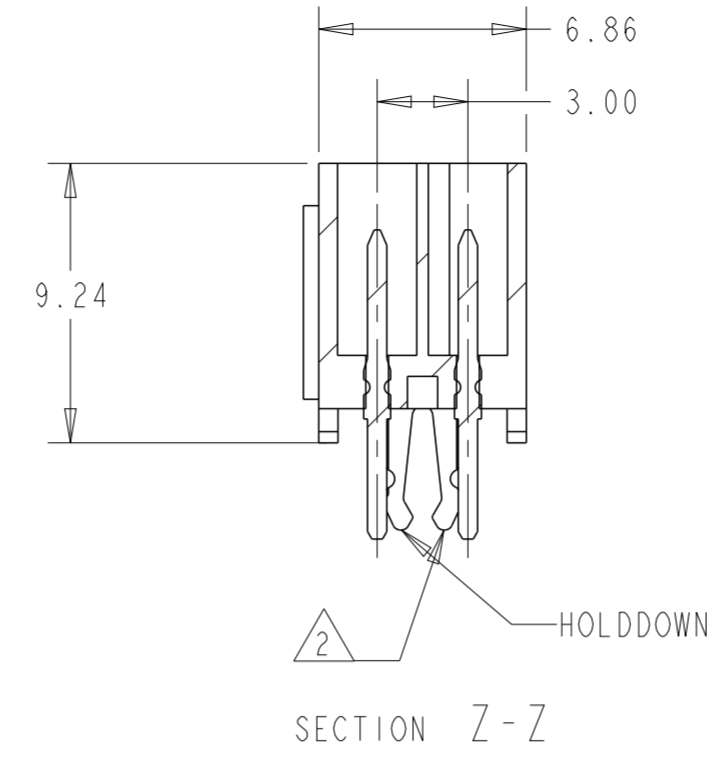
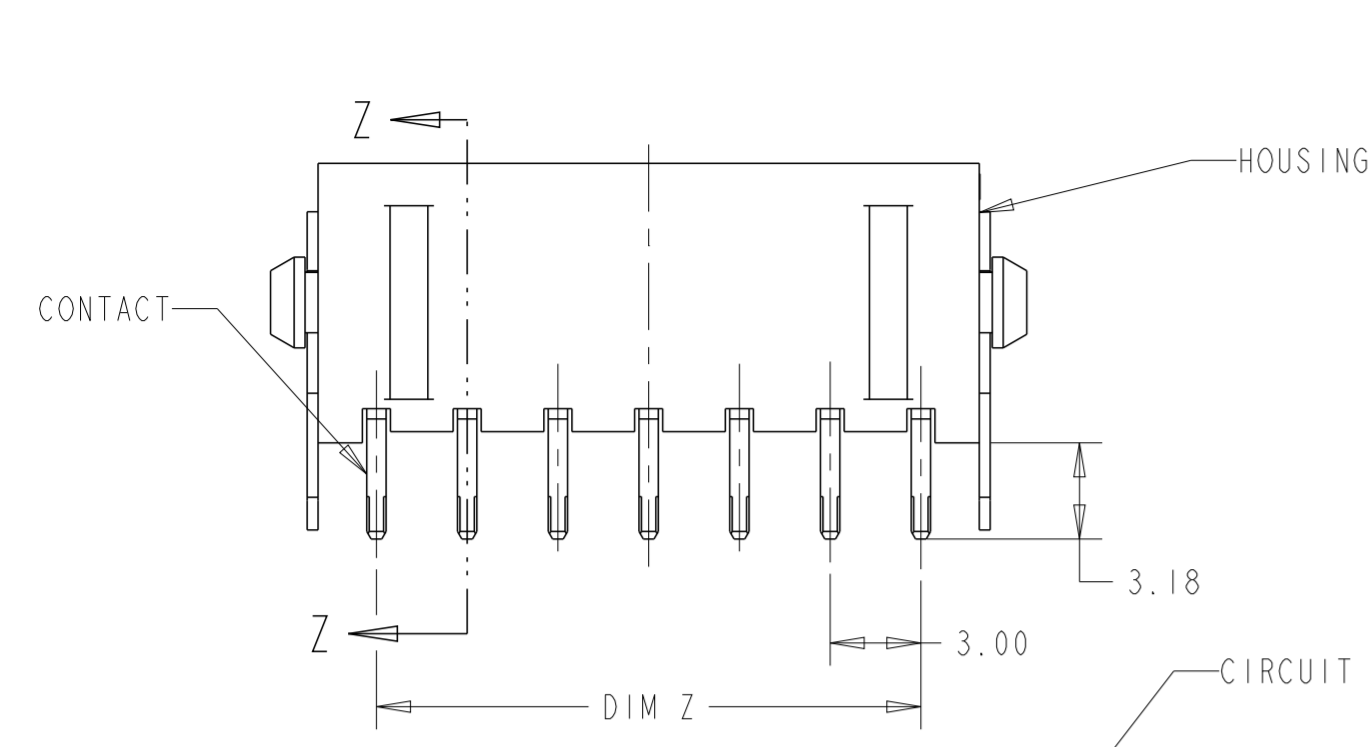


THIS DRAWING IS UNPUBLISHED. RELEASED FOR PUBLICATION
 © COPYRIGHT 20 BY - ALL RIGHTS RESERVED.

REVISIONS					
P	LTR	DESCRIPTION	DATE	DWN	APVD
	FI	REVISD PER ECR-16-011494	21JUN2017	NK	CX



- 1 MATERIAL: HOUSING - NYLON, UL 94V-0, BLACK.
CONTACT - BRASS.
0.000762 MINIMUM GOLD OVER 0.00254
MINIMUM NICKEL ON MATING AREA. 0.00254
TIN-LEAD MINIMUM OVER 0.00254 NICKEL
MINIMUM ON SOLDER TAILS.
HOLDDOWNS: PHOSPHOR BRONZE, .00254 TIN-LEAD.
- 2 MAXIMUM INSERTION 30 LBS.
- 3 RECOMMENDED BOARD THICKNESS 1.57.
- 4 MATERIAL: HOUSING - NYLON, UL 94V-0, BLACK.
CONTACT - BRASS.
0.000762 MINIMUM GOLD OVER 0.00254
MINIMUM NICKEL ON MATING AREA. 0.00254
MATTE TIN MINIMUM OVER 0.00254 NICKEL
MINIMUM ON SOLDER TAILS.
HOLDDOWNS: PHOSPHOR BRONZE, .00254 MATTE TIN.
- 5 CIRCUIT NUMBER 1 IS LOCATED AT THE BOTTOM RIGHT
WITH THE LATCH-LOCK ON TOP LOOKING INTO THE CAVITIES

RECOMMENDED MOUNTING HOLE PATTERN
SCALE 5:1

FINISH	DIM A	DIM Z	DIM Y	DIM X	NO. OF POSN.	PART NUMBER
4	40.00	33.00	37.30	36.86	24	5-794682-4
4	37.00	30.00	34.30	33.86	22	5-794682-2
4	34.00	27.00	31.30	30.86	20	5-794682-0
4	31.00	24.00	28.30	27.86	18	4-794682-8
4	28.00	21.00	25.30	24.86	16	4-794682-6
4	25.00	18.00	22.30	21.86	14	4-794682-4
4	22.00	15.00	19.30	18.86	12	4-794682-2
4	19.00	12.00	16.30	15.86	10	4-794682-0
4	16.00	9.00	13.30	12.86	8	3-794682-8
4	13.00	6.00	10.30	9.86	6	3-794682-6
4	10.00	3.00	7.30	6.86	4	3-794682-4
4	7.00	-	4.30	3.86	2	3-794682-2
1	40.00	33.00	37.30	36.86	24	2-794682-4
1	37.00	30.00	34.30	33.86	22	2-794682-2
1	34.00	27.00	31.30	30.86	20	2-794682-0
1	31.00	24.00	28.30	27.86	18	1-794682-8
1	28.00	21.00	25.30	24.86	16	1-794682-6
1	25.00	18.00	22.30	21.86	14	1-794682-4
1	22.00	15.00	19.30	18.86	12	1-794682-2
1	19.00	12.00	16.30	15.86	10	1-794682-0
1	16.00	9.00	13.30	12.86	8	794682-8
1	13.00	6.00	10.30	9.86	6	794682-6
1	10.00	3.00	7.30	6.86	4	794682-4
1	7.00	-	4.30	3.86	2	794682-2

SUPERSEDED BY 5-794682-4	1	40.00	33.00	37.30	36.86	24	2-794682-4
SUPERSEDED BY 5-794682-2	1	37.00	30.00	34.30	33.86	22	2-794682-2
SUPERSEDED BY 5-794682-0	1	34.00	27.00	31.30	30.86	20	2-794682-0
SUPERSEDED BY 4-794682-8	1	31.00	24.00	28.30	27.86	18	1-794682-8
SUPERSEDED BY 4-794682-6	1	28.00	21.00	25.30	24.86	16	1-794682-6
SUPERSEDED BY 4-794682-4	1	25.00	18.00	22.30	21.86	14	1-794682-4
SUPERSEDED BY 4-794682-2	1	22.00	15.00	19.30	18.86	12	1-794682-2
SUPERSEDED BY 4-794682-0	1	19.00	12.00	16.30	15.86	10	1-794682-0
SUPERSEDED BY 3-794682-8	1	16.00	9.00	13.30	12.86	8	794682-8
SUPERSEDED BY 3-794682-6	1	13.00	6.00	10.30	9.86	6	794682-6
SUPERSEDED BY 3-794682-4	1	10.00	3.00	7.30	6.86	4	794682-4
SUPERSEDED BY 3-794682-2	1	7.00	-	4.30	3.86	2	794682-2

THIS DRAWING IS A CONTROLLED DOCUMENT.

DWN: B. HAYMAKER 16AUG99
 CHK: K. COBLE 16AUG99
 APVD: K. COBLE 16AUG99

STE TE Connectivity

NAME: VERTICAL HEADER ASSEMBLY, THRU HOLE, 30 GOLD, DUAL ROW, MICRO MATE-N-LOK™

SIZE: A2 CAGE CODE: 00779 DRAWING NO: 794682 RESTRICTED TO: -

MATERIAL: SEE TABLE TOLERANCES UNLESS OTHERWISE SPECIFIED: SEE TABLE

0 PLC ±
 1 PLC ±
 2 PLC ±0.20(.008)
 3 PLC ±
 4 PLC ±
 ANGLES ±
 FINISH SEE TABLE

PRODUCT SPEC: -
 APPLICATION SPEC: -
 WEIGHT: -

CUSTOMER DRAWING SCALE: 4:1 SHEET: 1 OF 1 REV: FI

Mouser Electronics

Authorized Distributor

Click to View Pricing, Inventory, Delivery & Lifecycle Information:

[TE Connectivity:](#)

[4-794682-2](#)