

D6 SPST Momentary Key Switches

Features/Benefits

- Easy X, Y coding on single side PCB
- Positive tactile feedback
- High temperature
- Wide variety of colors & styles
- RoHS compliant and compatible

Typical Applications

- Video
- Electronic games
- Appliances



Construction

FUNCTION: momentary
 CONTACT ARRANGEMENT: 1 make contact (SPST), NO
 DISTANCE BETWEEN BUTTON CENTERS, MIN.: 12,7 (0.500)
 TERMINALS: PC pins

Electrical

SWITCHING POWER MAX.: 3 VA
 SWITCHING VOLTAGE MAX.: 32 V DC
 SWITCHING CURRENT MAX.: 100 mA DC
 DIELECTRIC STRENGTH (50 Hz / 1 min): 250 V
 OPERATING LIFE with max. switching power: (2,5x10⁵ operations)
 CONTACT RESISTANCE: ≤100 mΩ
 INSULATION RESISTANCE: ≥10⁸ Ω
 BOUNCE TIME: ≤10 ms

Packaging

The D6 switches are delivered in boxes containing 10 trays with 250 pieces each: Total 2,500 pieces per box.
 The D6 buttons are delivered in bulk with 2500 pieces per box.

Mechanical

SWITCHING TRAVEL:
 Version F1: 0.2mm ≤ Te ≤ 1.0 mm
 Version F2: 0.3mm ≤ Te ≤ 1.1 mm
 OPERATING FORCE:
 Version F1: 0.8N ≤ Fa ≤ 1.8N
 Version F2: 2.0N ≤ Fa ≤ 3.5N

Environmental

OPERATING TEMPERATURE: -20°C to 85°C.

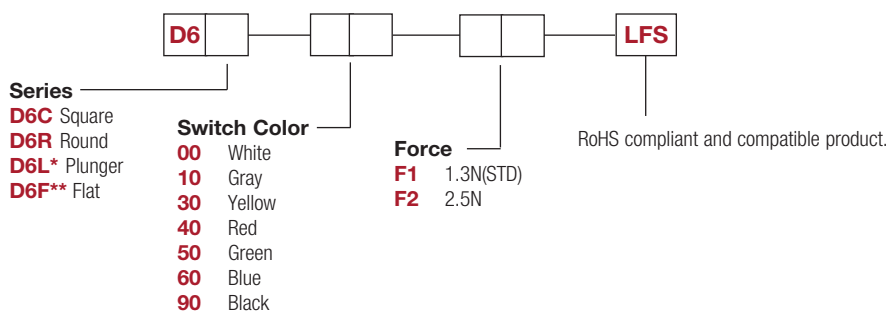
Process

SOLDERABILITY:
 Wave soldering, compatible with lead free soldering profile
 Hand soldering, 350°C for 3 seconds

How To Order

Our easy build-a-switch concept allows you to mix and match options to create the switch you need. To order, select desired option from each category and place it in the appropriate box.

Switch



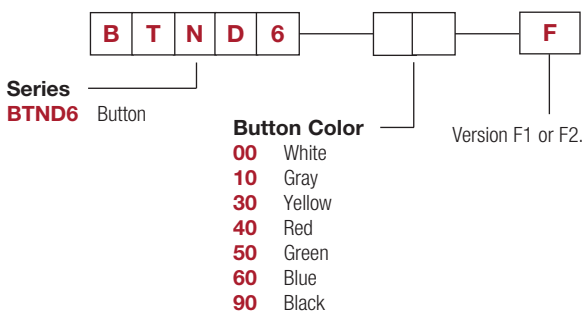
*Available only in color 90 (black).

** Available only in color 90 (black) and 00 (white).

Button

Buttons can be ordered separately.
 Shipped in bulk.

D6 button for use with D6C only.



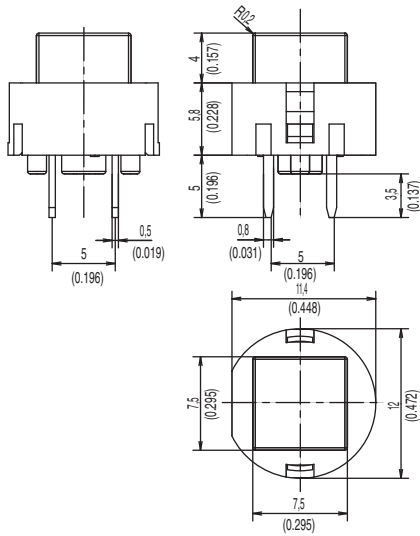
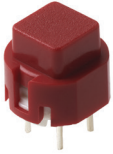
First Angle
 Projection

Dimensions are shown: mm
 Specifications and dimensions subject to change

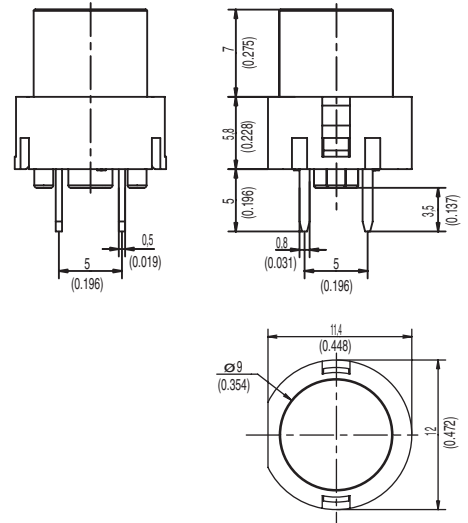
D6 SPST Momentary Key Switches

SERIES

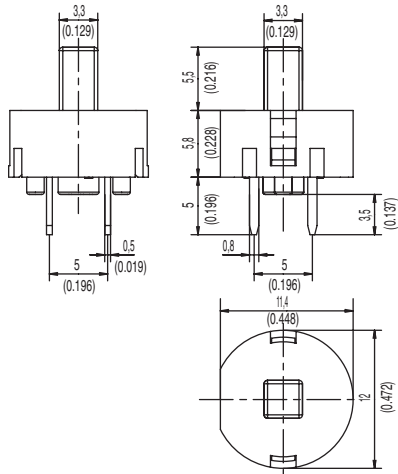
D6C



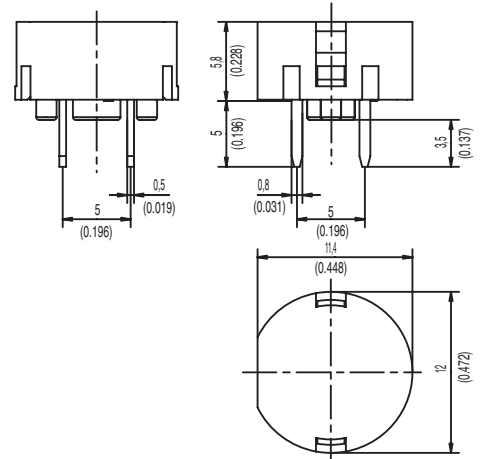
D6R



D6L ONLY AVAILABLE IN BLACK



D6F



Key Switches



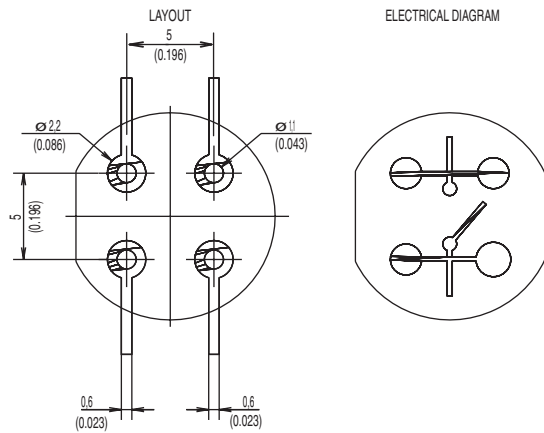
Dimensions are shown: mm
Specifications and dimensions subject to change

D6 SPST Momentary Key Switches

SWITCH COLORS

OPTION CODE	SWITCH COLOR
00	WHITE
10	GRAY
30	YELLOW
40	RED
50	GREEN
60	BLUE
90	BLACK

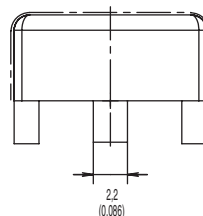
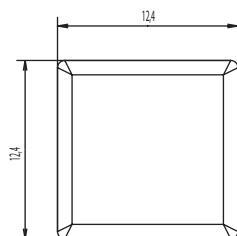
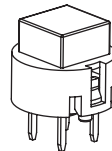
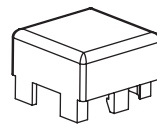
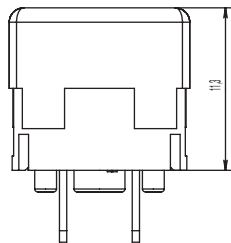
PCB LAYOUT



BUTTON AVAILABLE

BTND6 Buttons must be ordered separately. Shipped in bulk.

NOTE: Only compatible with D6C.



OPTION CODE	BUTTON COLOR
00	WHITE
10	GRAY
30	YELLOW
40	RED
50	GREEN
60	BLUE
90	BLACK



Dimensions are shown: mm
Specifications and dimensions subject to change

Mouser Electronics

Authorized Distributor

Click to View Pricing, Inventory, Delivery & Lifecycle Information:

C&K Components:

[D60108](#) [D6C60 F2 LFS](#)

C&K Switches:

[D60102](#) [D60101](#) [D60103](#) [D60208](#) [D60202](#) [BTN D6 00 F](#) [D6R10 F1 LFS](#) [D6R00 F1 LFS](#) [D6C90 F1 LFS](#) [D6F90 F1 LFS](#) [D6L90 F1 LFS](#) [D6R90 F2 LFS](#) [D6R40 F1 LFS](#) [D6C00 F1 LFS](#) [D6R10 F2 LFS](#) [D6C40 F1 LFS](#) [D6C10 F1 LFS](#) [D6R30 F1 LFS](#) [D6L90 F2 LFS](#) [D6R60 F1 LFS](#) [D6C90 F2 LFS](#) [D6R50 F1 LFS](#) [D6C50 F1 LFS](#) [D6C60 F1 LFS](#) [D6C30 F1 LFS](#) [D6R30 F2 LFS](#) [D6C50 F2 LFS](#) [D6C30 F2 LFS](#) [D6F90 F2 LFS](#) [D6C10 F2 LFS](#) [D6C40 F2 LFS](#) [D6R40 F2 LFS](#) [D6R50 F2 LFS](#) [D6R00 F2 LFS](#) [D6R60 F2 LFS](#) [D6C00 F2 LFS](#) [D6F00 F1 LFS](#) [D6F00 F2 LFS](#) [D60201](#) [D60203](#) [BTND610F](#) [BTND640F](#) [BTND660F](#) [BTND690F](#) [D6C60F2LFS](#) [D6C10F1LFS](#) [D6C60F1LFS](#) [D6R50F1LFS](#) [D6C50F2LFS](#) [D6R30F2LFS](#) [D6R60F2LFS](#) [D6R30F1LFS](#) [D6C30F1LFS](#) [D6R10F2LFS](#) [D6R10F1LFS](#) [D6R00F2LFS](#) [D6C50F1LFS](#) [D6R40F2LFS](#) [D6R40F1LFS](#) [D6C90F1LFS](#) [D6C10F2LFS](#) [D6C00F2LFS](#) [D6C40F1LFS](#) [D6C30F2LFS](#) [D6F90F1LFS](#) [D6R00F1LFS](#) [D6L90F1LFS](#) [D6C90F2LFS](#) [D6R60F1LFS](#) [D6R50F2LFS](#) [D6F00F2LFS](#) [D6F00F1LFS](#) [D6R90F2LFS](#) [D6L90F2LFS](#) [D6C40F2LFS](#) [BTND600F](#) [D6F90F2LFS](#) [D6C00F1LFS](#)