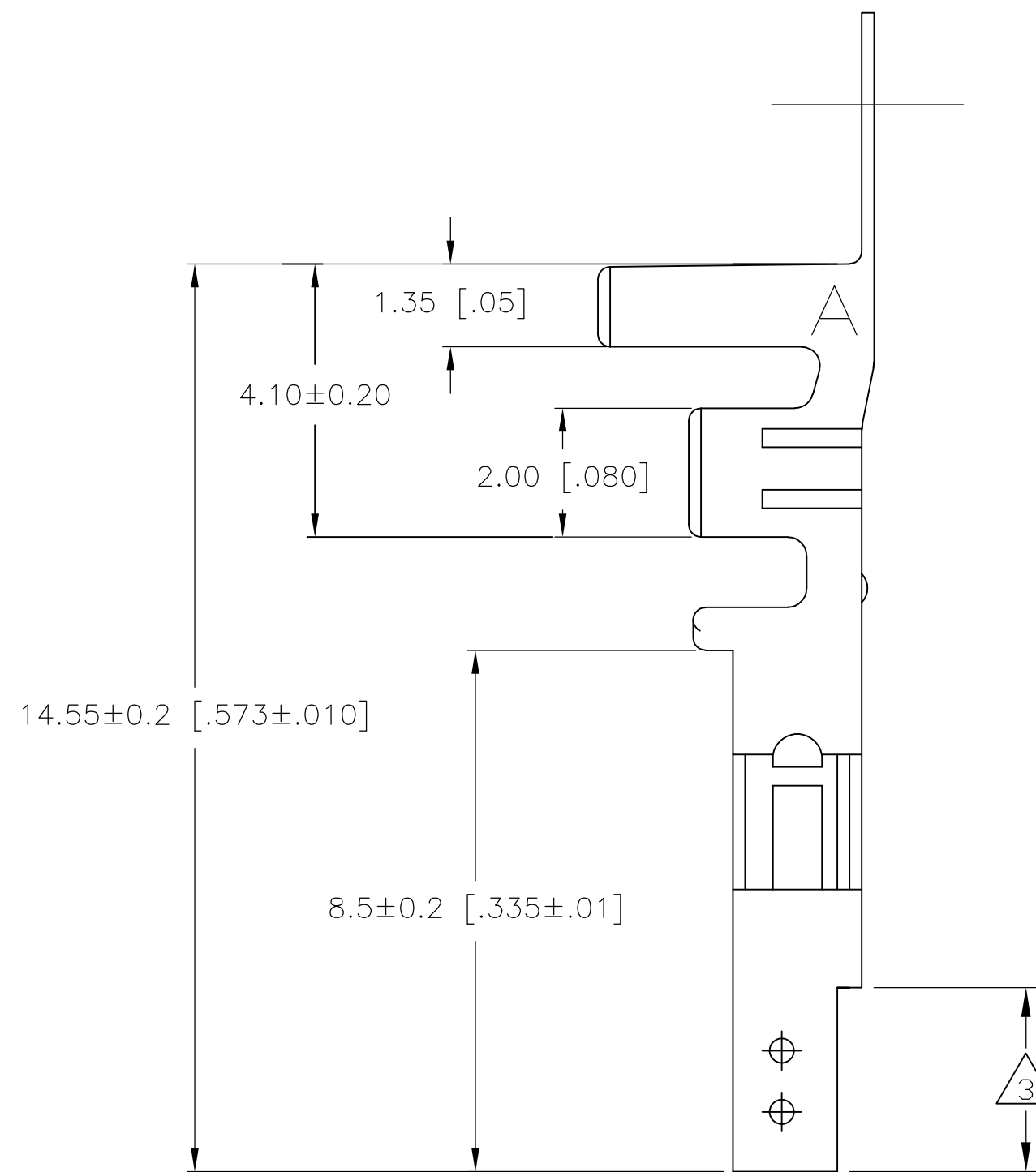
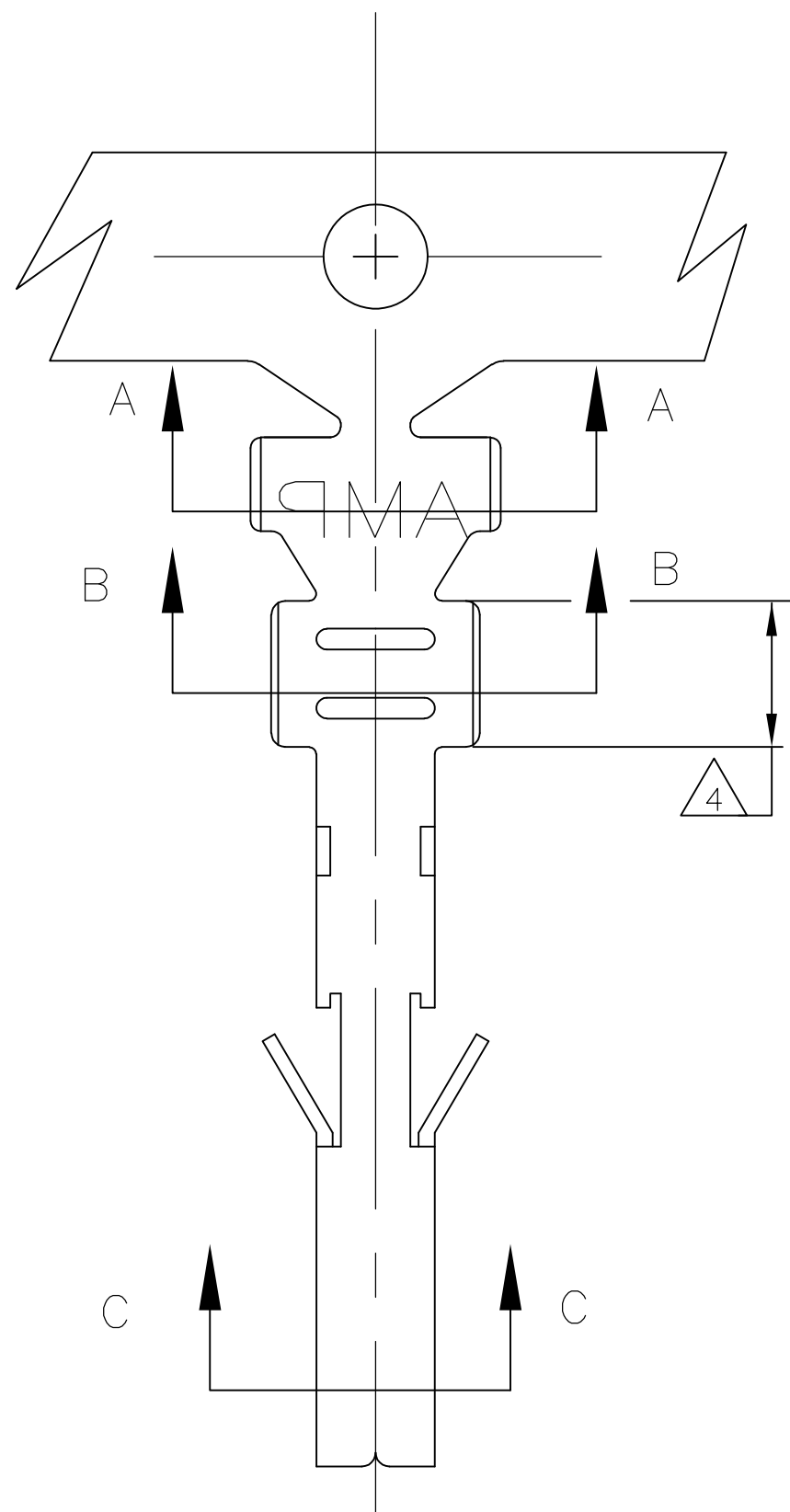
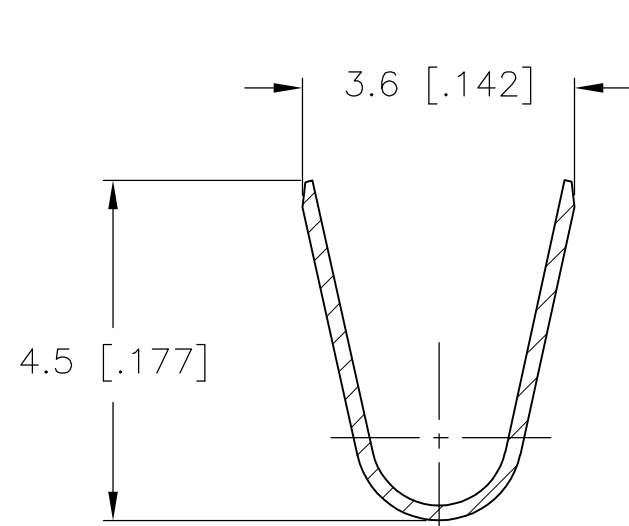


THIS DRAWING IS UNPUBLISHED. RELEASED FOR PUBLICATION
 © COPYRIGHT - By - ALL RIGHTS RESERVED.

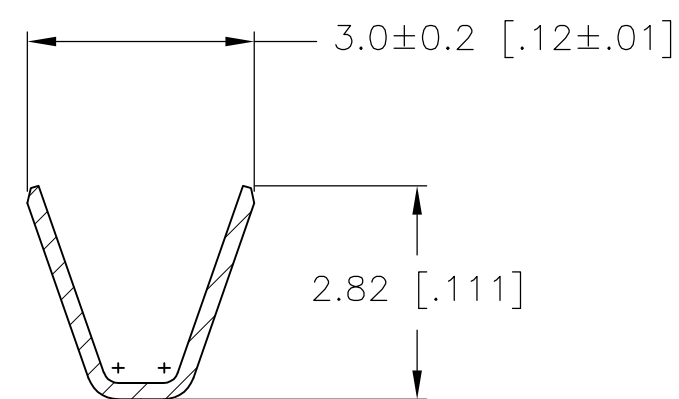
REVISIONS					
P	LTR	DESCRIPTION	DATE	DWN	APVD
C4		REVISEC PER ECR-17-006301	26JUN2017	WH	DZ



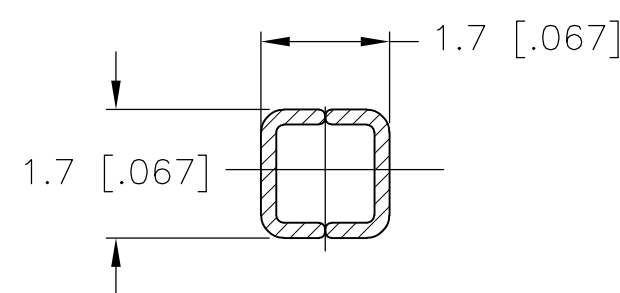
- 1 WIRE RANGE: 1.31mm² (16 AWG).
- 2 INSULATION RANGE 3.10 [.122] MAXIMUM DIAMETER
- 3 FINISH: 0.76um MINIMUM GOLD OVER 1.27um MINIMUM NICKEL REQUIRED ON INNER SURFACE, PERMITTED ON OUTER SURFACE.
- 4 FINISH: 2.54um MINIMUM TIN ON ALL SURFACES IN THIS AREA.
- 5 FINISH: 2.54um MINIMUM PRE-TIN ALL OVER.



SECTION A-A



SECTION B-B



SECTION C-C

GOLD 3 4	PHOS. BRZ.	1586055-4
PRE-TIN 5	PHOS. BRZ.	1586055-3
GOLD 3 4	BRASS	1586055-2
PRE-TIN 5	BRASS	1586055-1
FINISH	MATERIAL	PART NO.

THIS DRAWING IS A CONTROLLED DOCUMENT.		DWN S. HOOVER 15-NOV-2004	TE Connectivity	
DIMENSIONS: mm [INCHES]		CHK D. COLEY 15-NOV-2004	NAME	
TOLERANCES UNLESS OTHERWISE SPECIFIED:		APVD D. COLEY 15-NOV-2004	TERMINAL, SOCKET VAL-U-LOK(TM)	
0 PLC ±		PRODUCT SPEC	SIZE	RESTRICTED TO
1 PLC ± 0.15 [.006]		APPLICATION SPEC	CAGE CODE	
2 PLC ± 0.10 [.004]		WEIGHT	DRAWING NO	
3 PLC ± 0.05 [.002]		0.000000	A2 00779	
4 PLC ±		CUSTOMER DRAWING	SCALE	
ANGLES ±			10:1	
FINISH			SHEET	
			1 of 1	
			REV	
			C4	

Mouser Electronics

Authorized Distributor

Click to View Pricing, Inventory, Delivery & Lifecycle Information:

[TE Connectivity:](#)

[1586055-1 \(Mouser Reel\)](#) [1586055-1 \(Cut Strip\)](#)