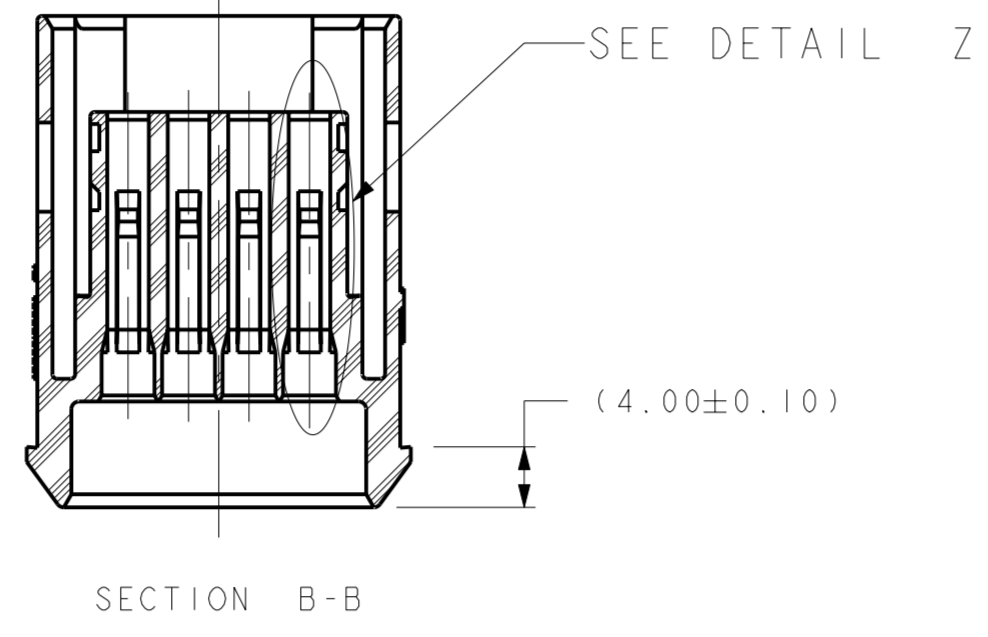
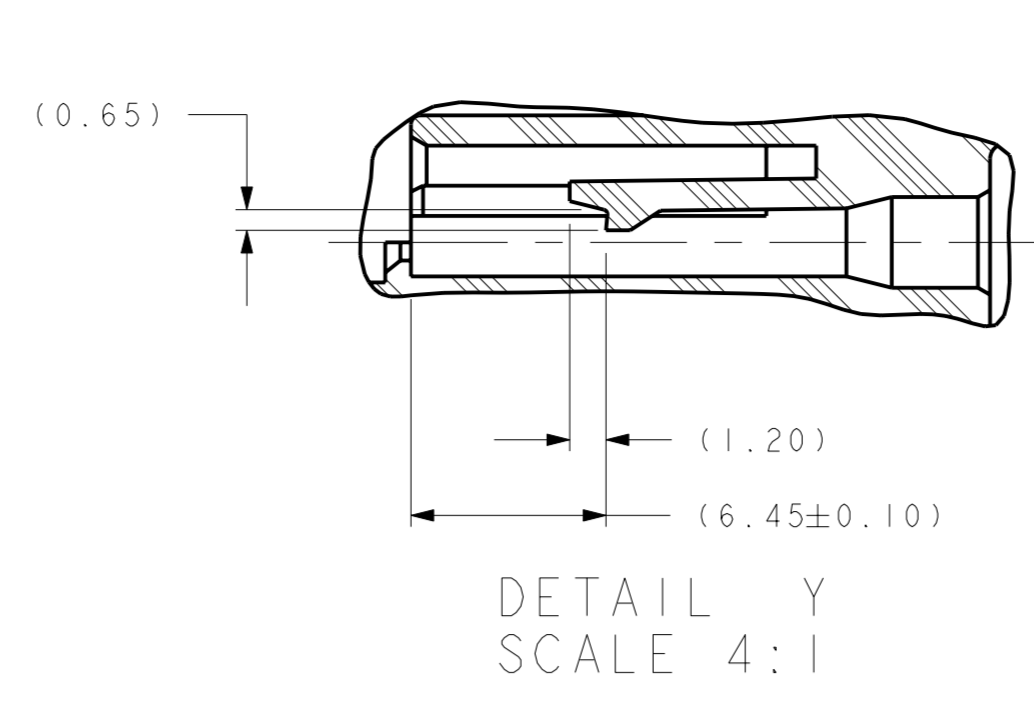
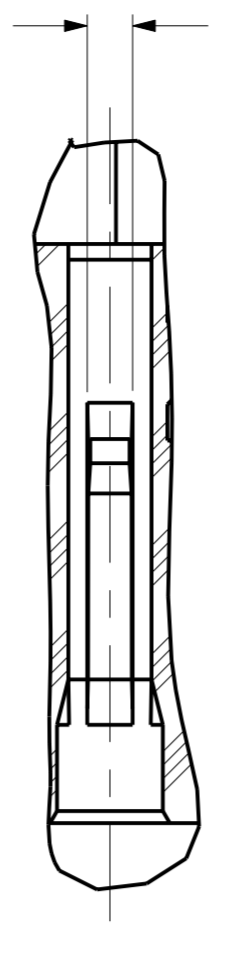
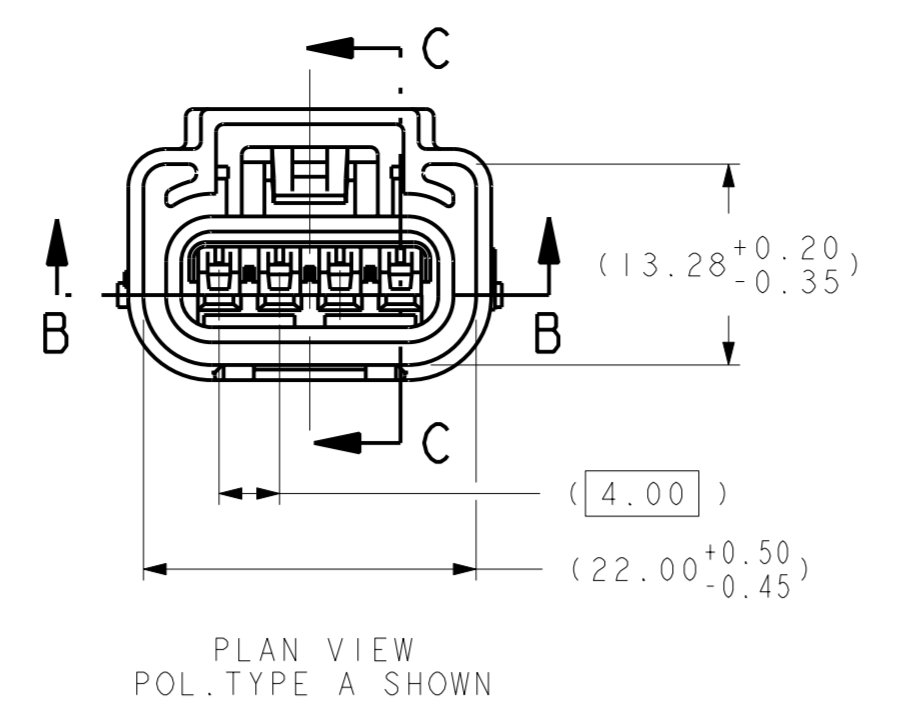
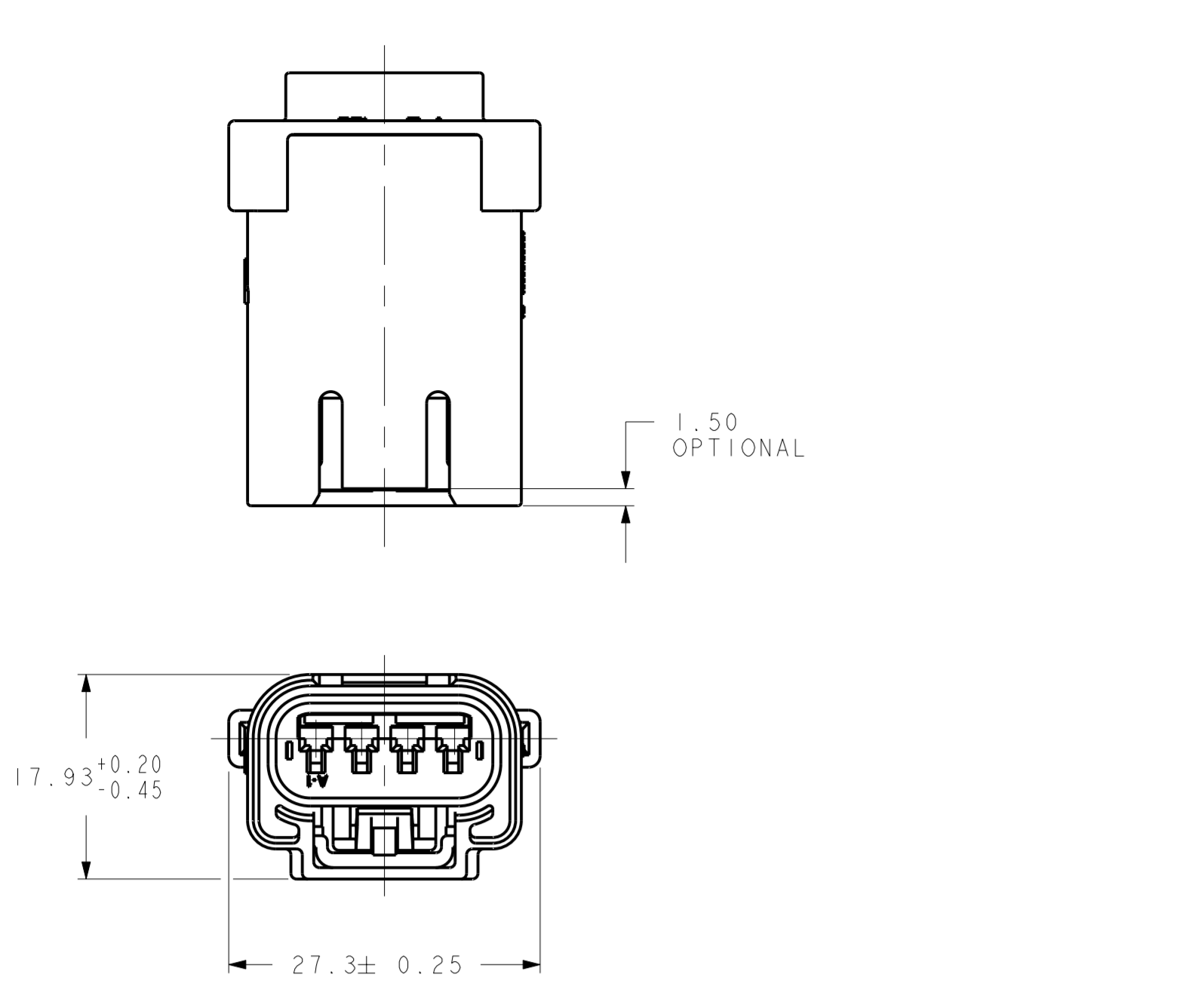
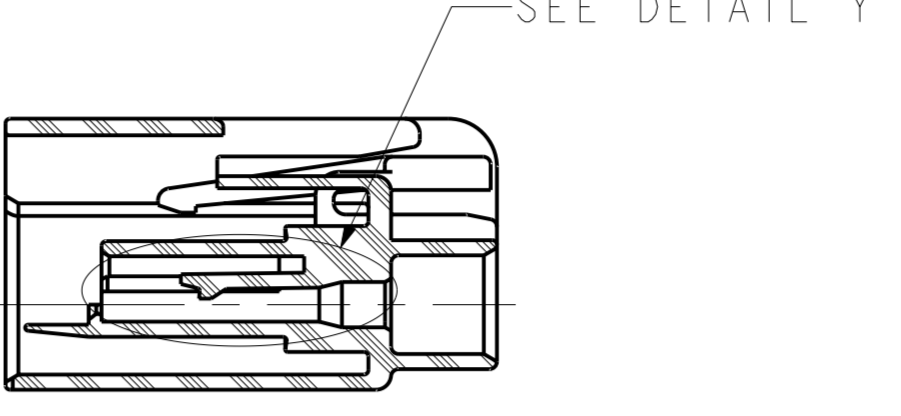


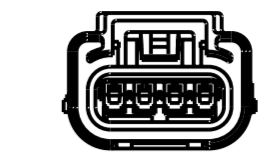
SCALE 1:1



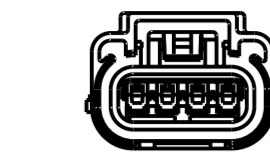
DETAIL Z SCALE 4:1



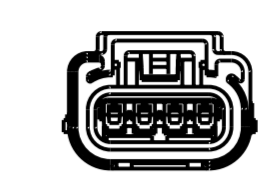
SECTION C-C



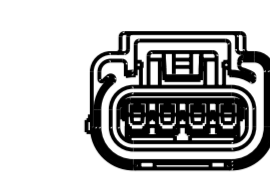
TYPE A



TYPE B



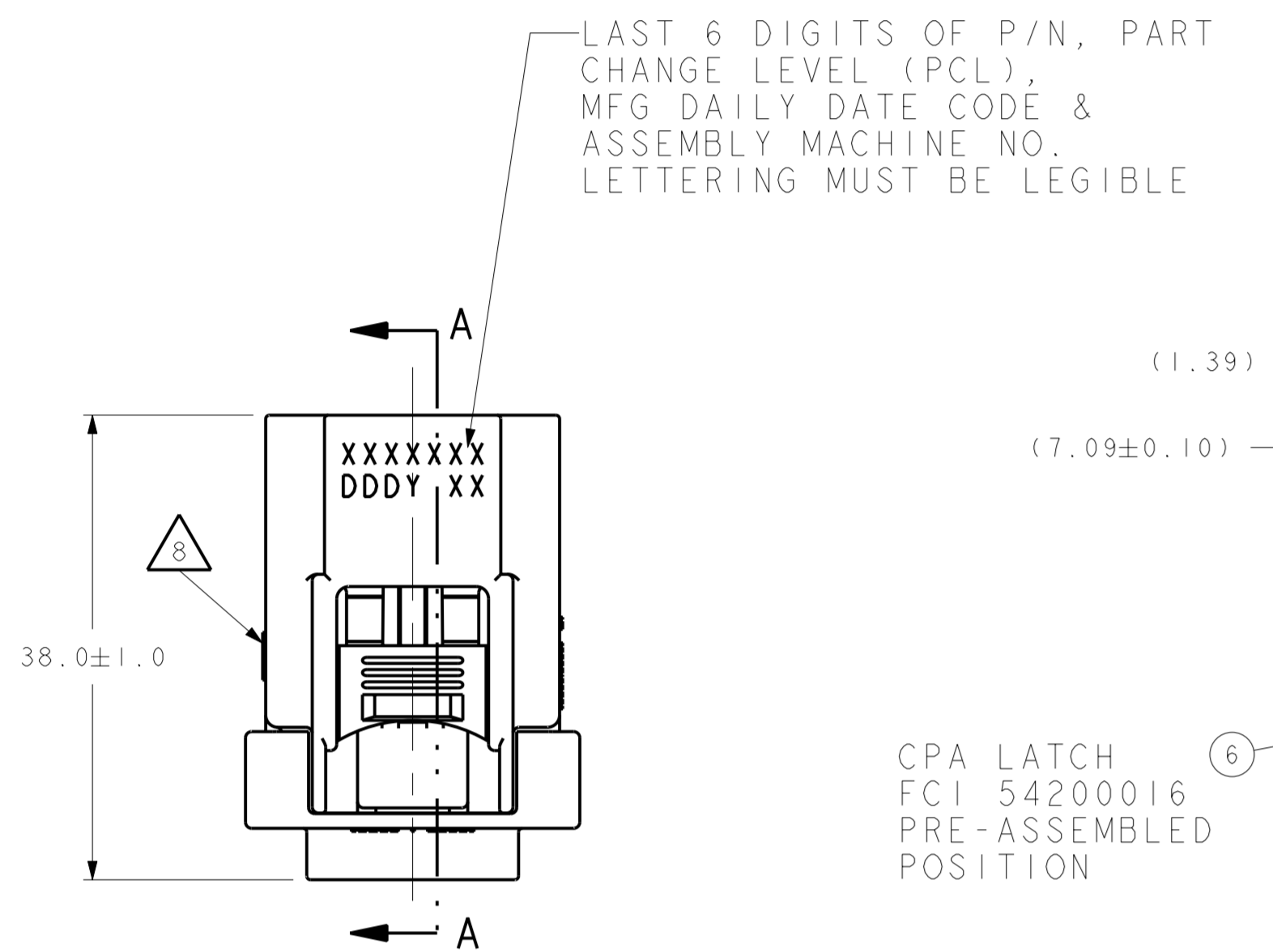
TYPE C



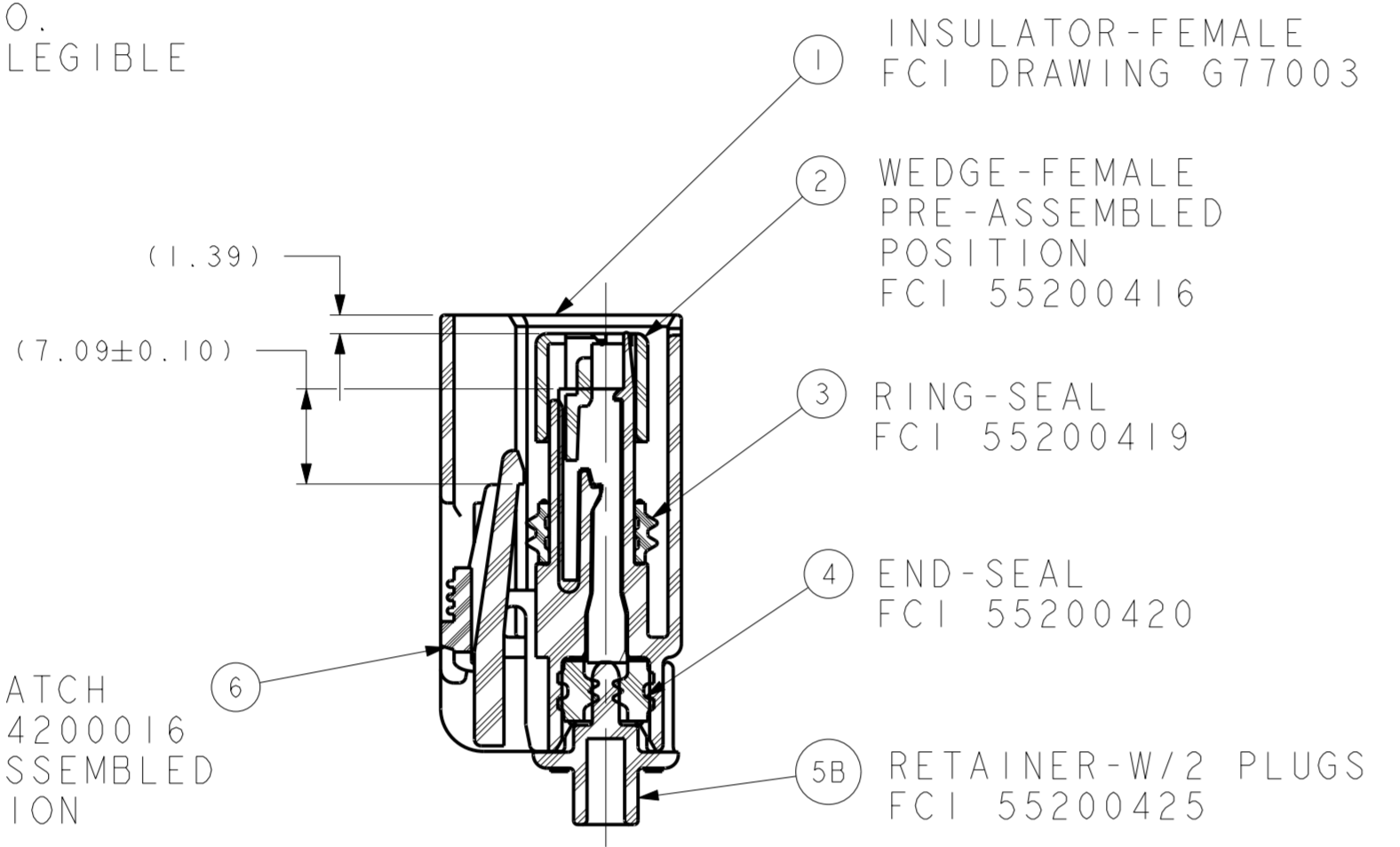
TYPE D

POLARIZATION OPTIONS SCALE 1:1

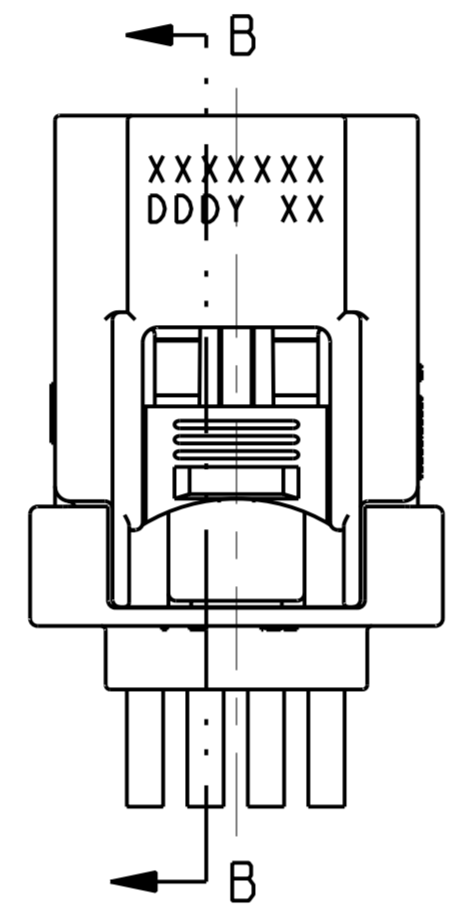
INSULATOR VIEWS (FOR REFERENCE ONLY)



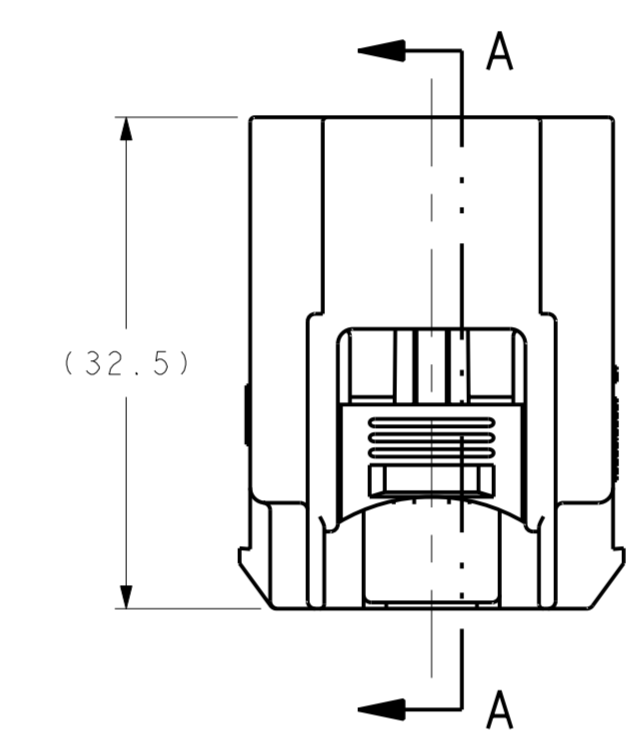
LAST 6 DIGITS OF P/N, PART CHANGE LEVEL (PCL), MFG DAILY DATE CODE & ASSEMBLY MACHINE NO. LETTERING MUST BE LEGIBLE



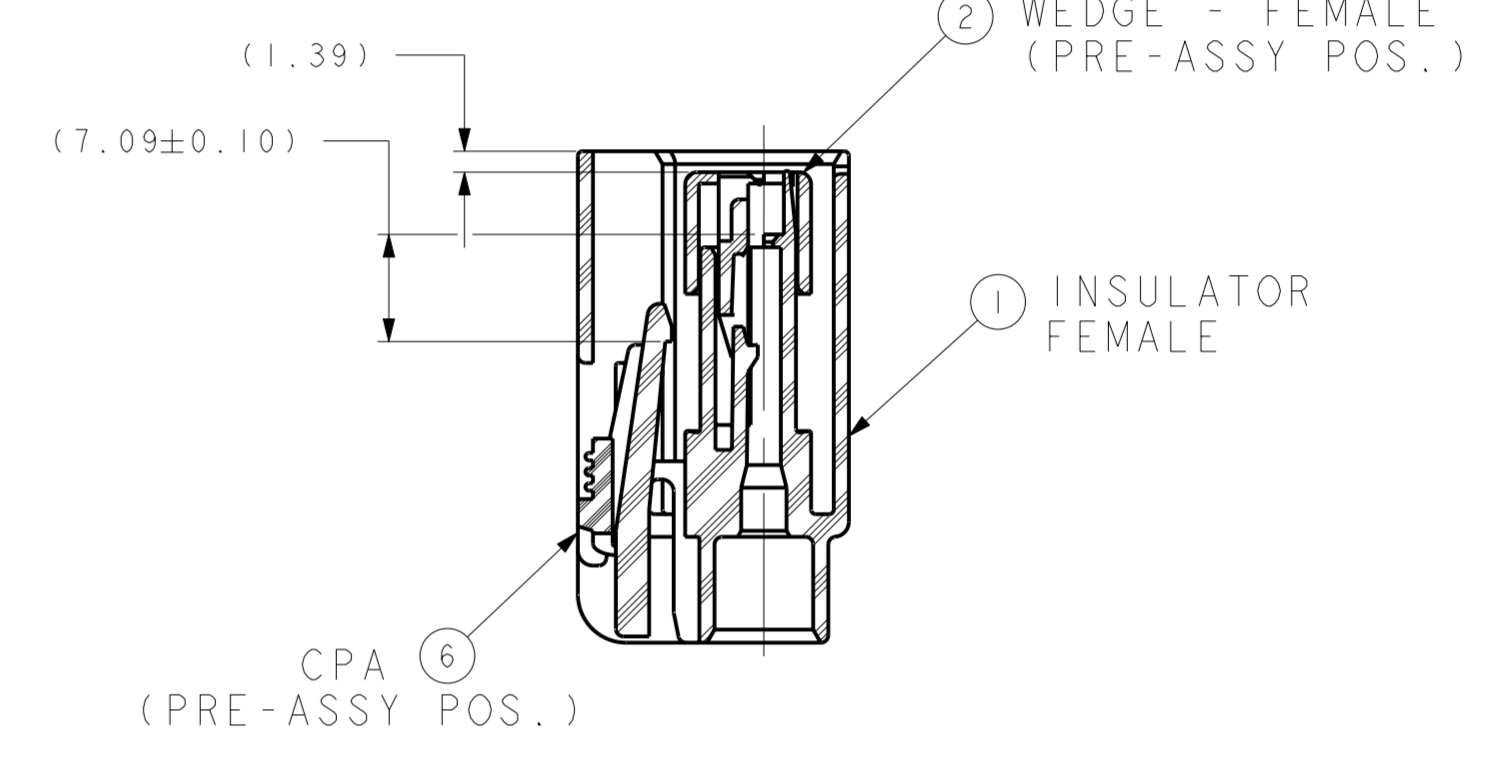
SECTION A-A SEALED ASSEMBLY VIEW FOR REFERENCE ONLY



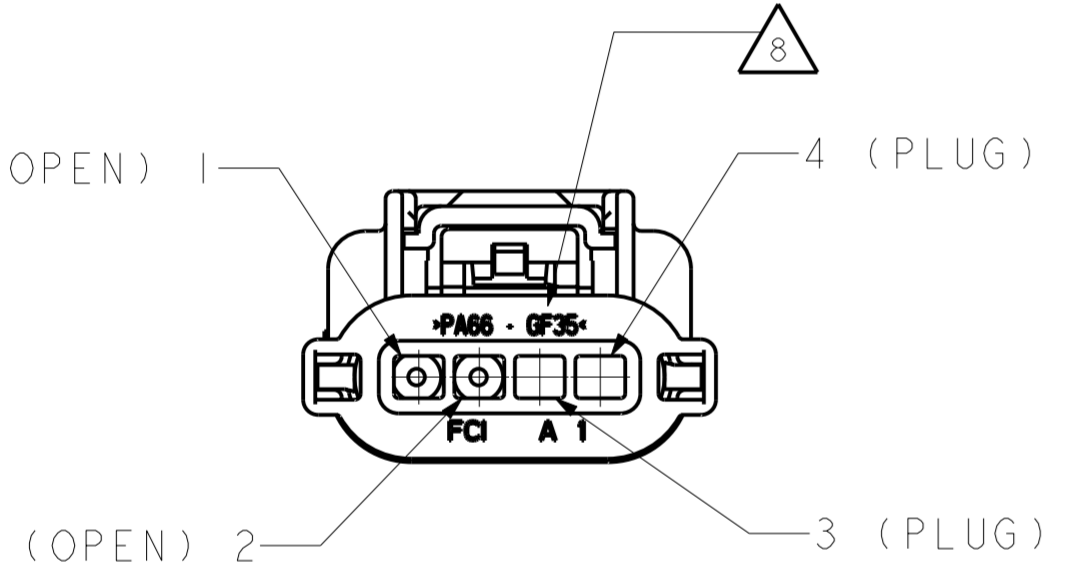
SECTION B-B SEALED ASSEMBLY VIEW FOR REFERENCE ONLY



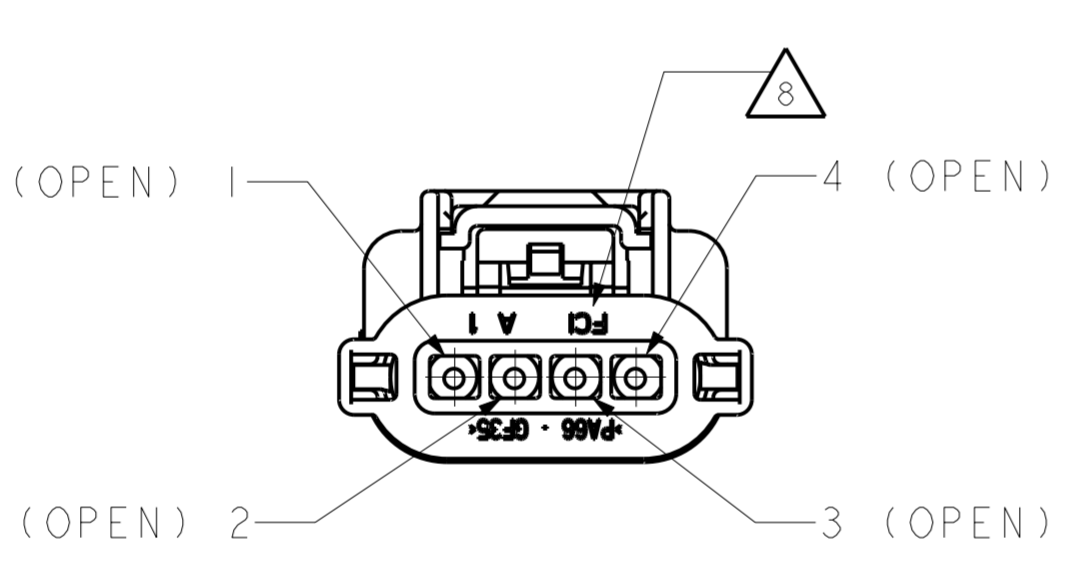
UNSEALED ASSEMBLY VIEW



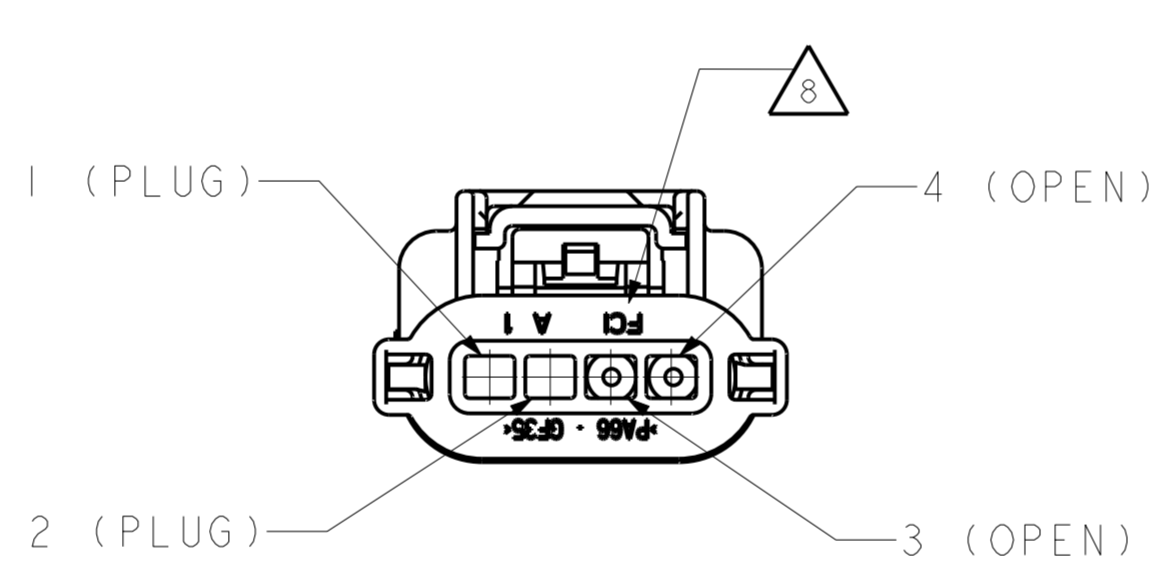
SECTION A-A



#1 SRS OPTION
CIRCUIT #1 & 2 OPEN
CIRCUIT #3 & 4 PLUGGED
(UNSEALED ALL CAVITIES OPEN)



#2 SRS OPTION
ALL CIRCUITS OPEN
(UNSEALED ALL CAVITIES OPEN)



#3 SRS OPTION
CIRCUIT #1 & 2 PLUGGED
CIRCUIT #3 & 4 OPEN
(UNSEALED ALL CAVITIES OPEN)

NOTES:

- ▲ QUALITY ASSURANCE REQUIREMENTS PER CHRYSLER PS-7300 SPC DATE REQUIRED
- ▲ ENGINEERING APPROVAL OF SUPPLIER SAMPLES IS REQUIRED PRIOR TO AUTHORIZATION OF PART PRODUCTION
- ▲ CHANGES IN DESIGN COMPOSITION OR PROCESSING FROM THE PART PREVIOUSLY APPROVED FOR PART PRODUCTION REQUIRES PRIOR ENGINEERING APPROVAL
- ▲ WIRING FABRICATIONS MUST SPECIFY PROPER INSULATION TYPE FOR TEMPERATURE CLASS THE CONNECTOR SYSTEM IS USED FOR
- ▲ ALL THE SEALED CONNECTOR APPLICATIONS MUST BE USED WITH CHRYSLER WIRE SPECIFICATION MSB288, MS9502 OR MS7889 20, 18, OR 16 GAGE WIRES ONLY UNLESS OTHERWISE SPECIFIED (WIRE INSULATIONS Ø 1.50 MINIMUM TO Ø 2.41 MAXIMUM)
- ▲ ALL NON-SEALED APPLICATIONS MAY BE USED WITH ANY WIRE INSULATION 22 GAGE THROUGH 14 GAGE (EXCEPT AS NOTED) PROVIDING THAT A TERMINAL GRIP FOR THAT CORE/INSULATION COMBINATION IS SHOWN ON THE FEMALE TERMINAL DRAWING
- ▲ TEST METHOD PER SAE/JUSCAR-2 REV 5 CONNECTOR ENGAGE & DIS-ENGAGE WITH LATCH DEPRESSURE FORCE NOT TO EXCEED 75N FOR THIS SYSTEM
- ▲ CPA SEATING FORCES - 40N MAXIMUM
- ▲ WEDGE SEATING FORCES- 75N MAXIMUM
- ▲ SUPPLIER, MOLD & CAVITY I.D. SIGNIFIES TOOL OWNERSHIP, FOR REFERENCE
- ▲ ANNUAL QUALITY REQUIREMENTS:
IT IS PERMISSIBLE TO PERFORM CONTINUOUS CONFORMANCE PER FC1 SPECIFICATION #80A-001 INSTEAD OF ANNUAL LAYOUT & ANNUAL PV REQUIREMENTS OF QS 9000 SECTION 2 & SAE/JUSCAR-2 REV 5
- ▲ ALL NON-REFERENCE DIMENSIONS ARE REQUIRED
- ▲ MUST CONFORM TO THE FOLLOWING CHRYSLER/YNA STANDARDS:
SAE/JUSCAR-2 REV 3 EXCEPT AS NOTED ABOVE
PS- 7300 QUALITY ASSURANCE (CHRYSLER)
PS- 4480 - CER- 4 (CHRYSLER) PART I.D., (G- 009- 2 YNA)
PS- 9227 DATA EXCHANGE (CHRYSLER), (G- 009- 7 YNA)
PS- 10052 INFORMATION SECURITY (CHRYSLER)
- ▲ USE WITH: CAVITY PLUG- FC1 P/N 54399002 WHEN REQUIRED
USE WITH 1.5MM APEX FEMALE TERMINAL SEE C18001-CUST
TERMINAL IS SYMMETRICAL AROUND CENTERLINE HAS 180° ORIENTATION CAPABILITY
- ▲ RETAINER P/N 55200425 IS NOT POLARIZED AND IT MUST HAVE PROPER PLUG LOCATION FOR SINGLE SHORTING CLIP OR 2-WAY APPLICATION
SEE SAFETY RESTRAINT SYSTEM (SRS) OPTION VIEWS AND CHART

CHART- ASSEMBLY PART NUMBERS

UN-SEALED		SEALED	
IN-LINE	SRS APPLICATION	IN-LINE	
55200430			
55200431			
55200432			
55200433			
54550411			
54550410			
54550408			
54550406			
54550415			
54550420			
55200400			
55200402			
55200403			

REQUIRED	REQUIRED	ITEM	FCI	P/N'S	PART NAME	COLOR	MATERIAL
		1		55200412	INS POL TYPE "A"	BRT YELLOW	A3EG7
		1		55200413	INS POL TYPE "B"	LT YELLOW	A3EG7
		1		55200408	INS POL TYPE "A"	BLACK	A3EG7
		1		55200409	INS POL TYPE "B"	LT.GRAY	A3EG7
		1		55200410	INS POL TYPE "C"	DK.GRAY	A3EG7
		1		55200411	INS POL TYPE "D"	NATURAL	A3EG7
		2		55200416	WEDGE-FEMALE	ROYAL BLUE	A3EG7
		3		55200419	RING SEAL	BRT RED	SILICONE
		4		55200420	END SEAL	BURNT ORANGE	SILICONE
		5A		55200418	RETAINER - NO PLUGS	NATURAL	A3EG7
		5B		55200425	RETAINER WITH TWO PLUGS SEE ASSY OPTION 1 & 3 FOR PLUGS LOCATION	BLACK	A3EG7
		6		54200016	CPA LATCH	RED	A3EG7

CONN ASSY TEMPERATURE CLASS PER SAE/JUSCAR-2 REV 5
PART CHANGE LEVEL (PCL)

FEMALE ASSY	POL	MALE ASSY	SRS OPTION	ASSEMBLY TYPE	SLD	COLOR
54550410	A	54550421	#3	W/CLIP	NO	BRT YELLOW
54550411	B	54550418	#1	W/CLIP	NO	LT YELLOW
54550410	A	54550414	#1	W/CLIP	NO	BRT YELLOW
54550411	B	F288110		W/O CLIP		
54550417	#2		W/CLIP	NO	LT YELLOW	
54550410	A	F188110	#2	W/O CLIP	NO	BRT YELLOW
54550413			W/CLIP			
54550405	B	F088110	#1	W/O CLIP	YES	LT YELLOW
54550412			W/CLIP			
54550408	B	F978110	#2	W/O CLIP	YES	LT YELLOW
54550407			W/CLIP			
54550406	A	F878110	#1	W/O CLIP	YES	BRT YELLOW
54550409			W/CLIP			
54550415	A	F778110	#2	W/O CLIP	YES	BRT YELLOW
54550416			W/CLIP			
54550420	A	F398110	#3	W/O CLIP	YES	BRT YELLOW
54550419			W/CLIP			
55200433	D	55200437		IN-LINE	NO	NATURAL
55200432	C	55200436		IN-LINE	NO	DK GRAY
55200431	B	55200435		IN-LINE	NO	LT GRAY
55200430	A	55200434		IN-LINE	NO	BLACK
55200403	D	55200407		IN-LINE	YES	NATURAL
55200402	C	55200406		IN-LINE	YES	DK GRAY
55200401	B	55200405		IN-LINE	YES	LT GRAY
55200400	A	55200404		IN-LINE	YES	BLACK

MATING PART NUMBER CHART

REV. NUMBER	DATE	BY	REVISION	ZONE	CHANGE DESCRIPTION	DRAWN BY	CHK. BY	APP. BY
1	08-15-11	E	003, 022		WIRING P/N CHART UPDATED SRS OPTION WAS SHORTING BAR OPTION NOTE TO REVISED	RA	SSS	SSS
2	05-15-08	DZ	E22		WIRING P/N CHART UPDATED FOR SECURITY WIRE UNSEALED WITH CAVITY PLUG A SAFETY PLUG A DIFF YELLOW RETAINER IN OPTION 1 FOR CORRECT. ADD	RA	SSS	SSS
3	11-30-07	D1	020		OPTIONAL HOOK TO 1.50 DIMENSION OPTIONAL REMOVED FROM PART 10 NOTE	RA	SSS	SSS
4	9-17-07	D	E15, C22		P/N 54550420 & WIRING P/N CHART ADDED	DRK	SSS	SSS
5	08-06	C	C6, C4		REVISION & REWORK ON NEW P/N 1, ADDED & CHART UPDATED SEE REV 4 FOR PREVIOUS CHANGES SHORTING BAR INSULATOR COLORS REVISED	DRK	SSS	SSS

Mouser Electronics

Authorized Distributor

Click to View Pricing, Inventory, Delivery & Lifecycle Information:

[Aptiv:](#)

[54550415](#) [55200400](#) [54550406](#) [54550410](#) [54550415-B](#) [54550406-B](#) [54550411](#) [54550405](#) [54550410-B](#)
[55200400-B](#) [15520989](#) [55200430-B](#) [55200430](#) [54550411-B](#)