

4

3

2

1

THIS DRAWING IS UNPUBLISHED.

RELEASED FOR PUBLICATION

20

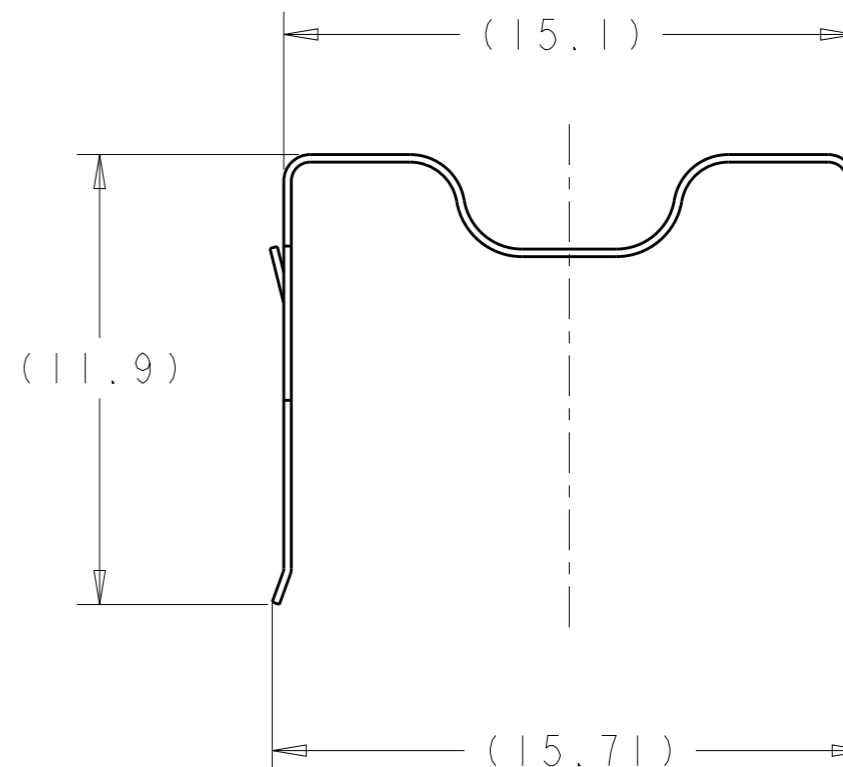
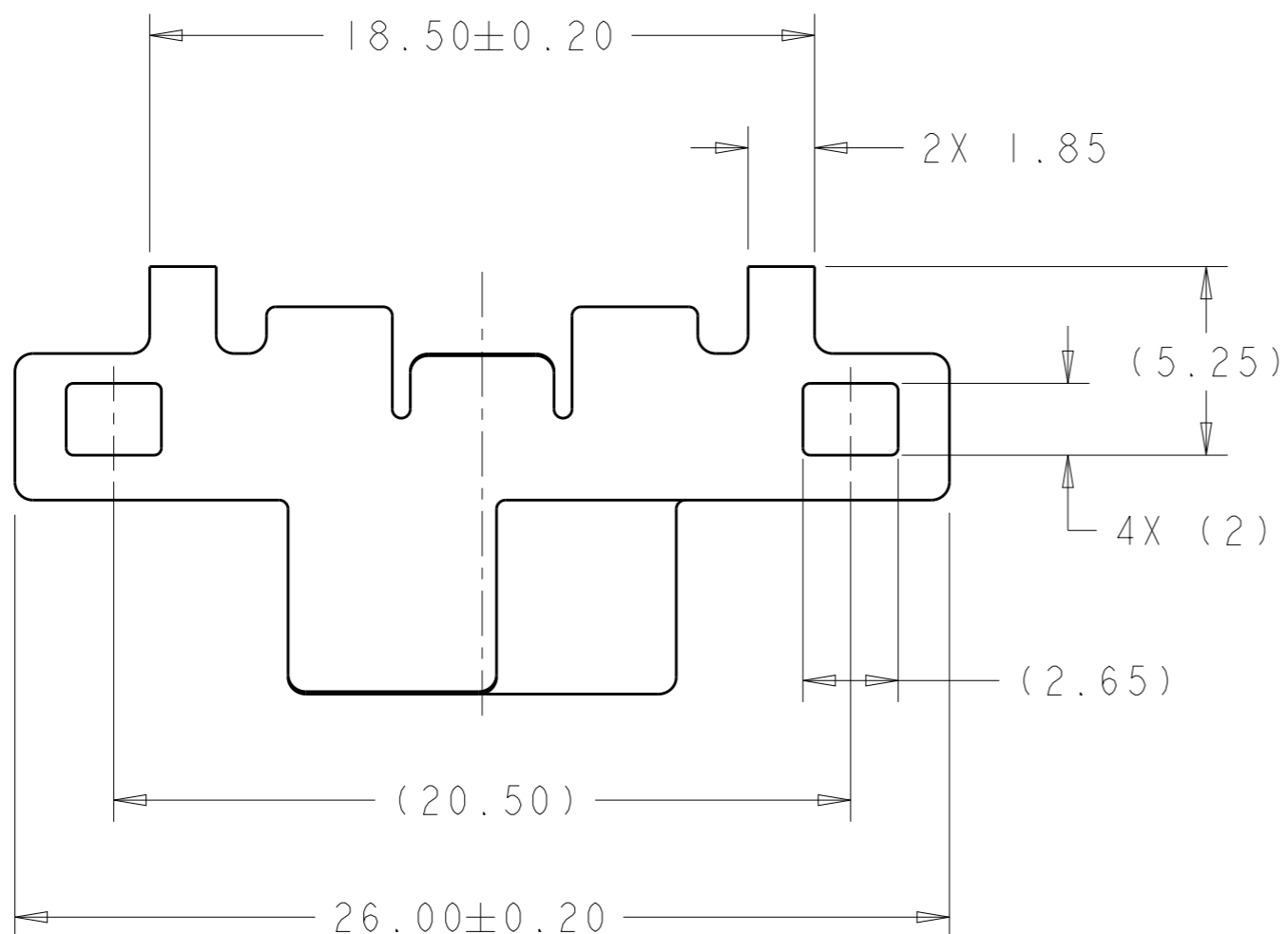
© COPYRIGHT 20 BY -

ALL RIGHTS RESERVED.


LOC GP DIST 00

REVISIONS

P	LTR	DESCRIPTION	DATE	DWN	APVD
	C	REVISED PER ECO-12-009760	14MAY2012	JJ	AC
	C1	REVISED PER ECO-14-000741	16JAN2014	PP	SH
	C2	REVISED PER ECO-15-001048	22JAN2015	PP	SH



TRAY	1367646-4
BAG	1367646-1
PACKAGE	PART NUMBER

THIS DRAWING IS A CONTROLLED DOCUMENT.		DWN P. KERLIN 11MAY2006	 TE Connectivity	
DIMENSIONS: mm		CHK E. BRIGHT 11MAY2006		
TOLERANCES UNLESS OTHERWISE SPECIFIED:		APVD E. BRIGHT 11MAY2006	NAME HEAT SINK CLIP, DWDM SFP	
0 PLC ±- 1 PLC ±- 2 PLC ±0.10 3 PLC ±- 4 PLC ±- ANGLES ±-		PRODUCT SPEC -	RESTRICTED TO -	
MATERIAL STAINLESS STEEL		FINISH -	APPLICATION SPEC 114-13178	
		WEIGHT -	SIZE A3	CAGE CODE 00779
		Customer Drawing	DRAWING NO C-1367646	SCALE 2:1
			SHEET 1 OF 3	REV C2

4

3

2

1

THIS DRAWING IS UNPUBLISHED.

RELEASED FOR PUBLICATION

20

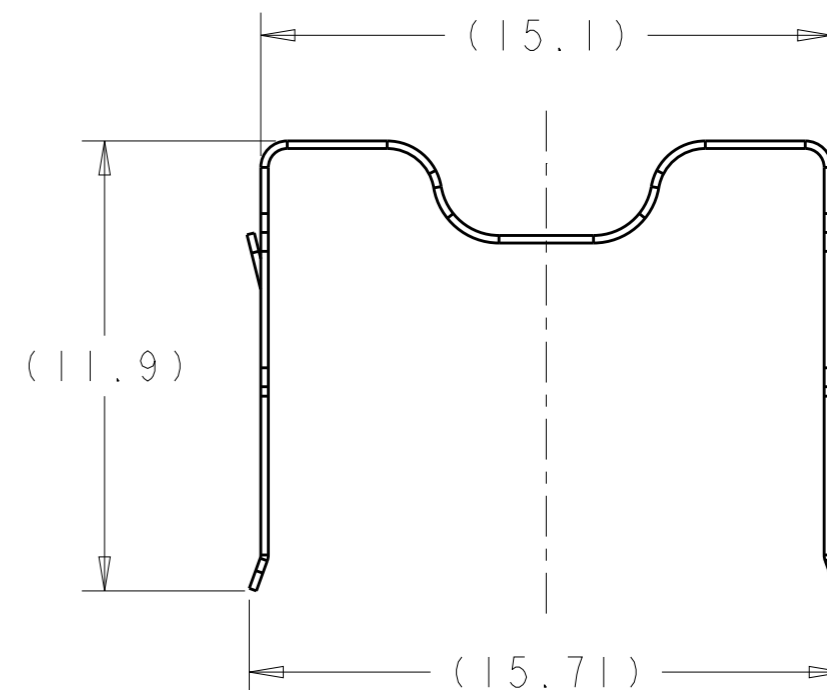
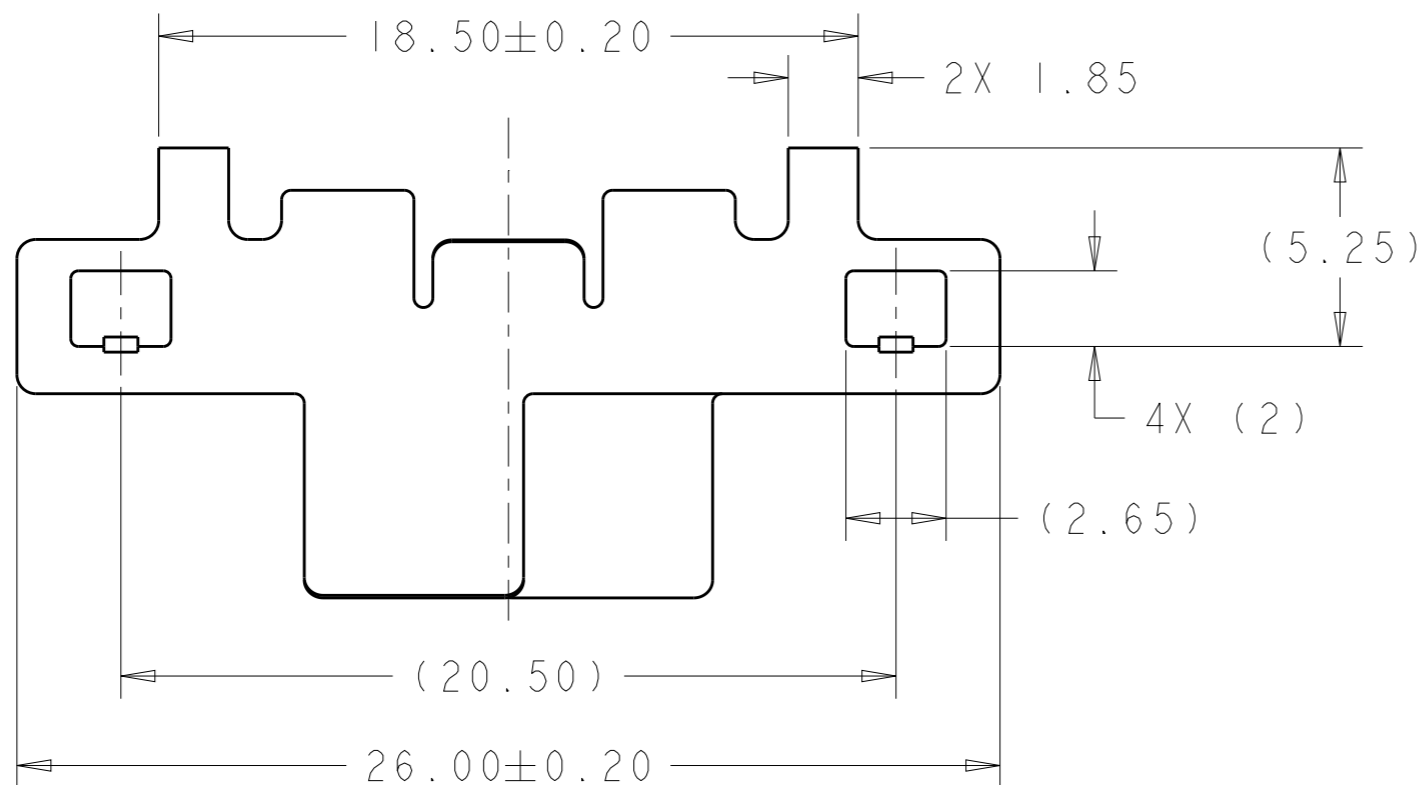
© COPYRIGHT 20 BY -

ALL RIGHTS RESERVED.

LOC GP DIST 00

REVISIONS

P	LTR	DESCRIPTION	DATE	DWN	APVD



TRAY	1367646-8
PACKAGE	PART NUMBER

THIS DRAWING IS A CONTROLLED DOCUMENT.

DIMENSIONS: mm	TOLERANCES UNLESS OTHERWISE SPECIFIED:
	0 PLC ± -
	1 PLC ± -
	2 PLC ± 0.10
	3 PLC ± -
	4 PLC ± -
	ANGLES ± -
MATERIAL -	FINISH -

DWN	P. KERLIN	11MAY2006
CHK	E. BRIGHT	11MAY2006
APVD	F. BRIGHT	11MAY2006
PRODUCT SPEC	-	
APPLICATION SPEC	114-13178	
WEIGHT	-	
Customer Drawing		

		TE Connectivity	
		NAME	
HEAT SINK CLIP, DWDM SFP			
SIZE	CAGE CODE	DRAWING NO	RESTRICTED TO
A3	00779	1367646	-
SCALE 2:1		SHEET 2 OF 3	REV C2

THIS DRAWING IS UNPUBLISHED.

RELEASED FOR PUBLICATION

20

© COPYRIGHT 20 BY -

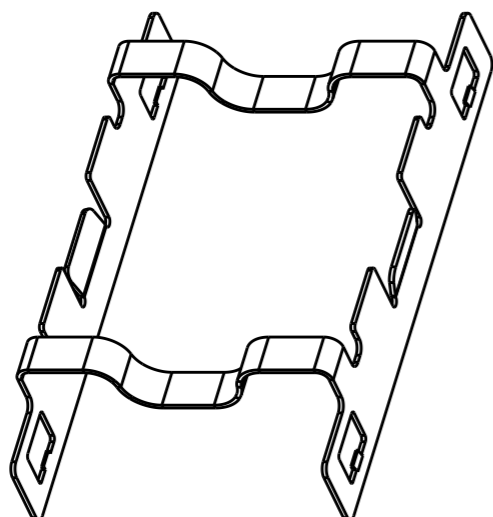
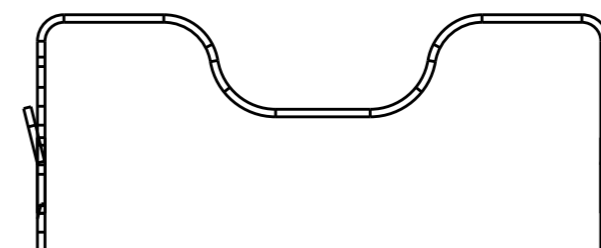
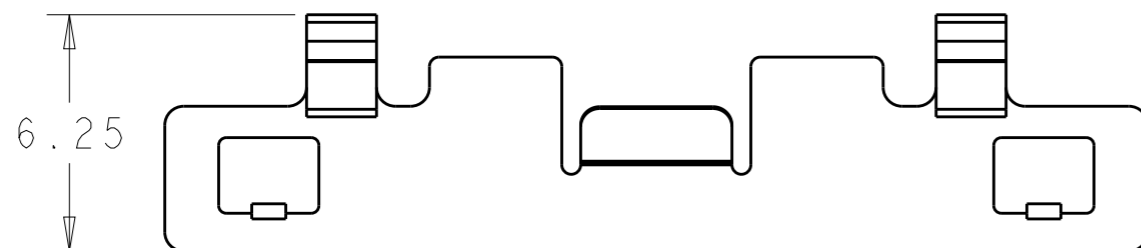
ALL RIGHTS RESERVED.

LOC
GP DIST
00


REVISIONS

P	LTR	DESCRIPTION	DATE	DWN	APVD
-		SEE SHEET 1	-	-	-

PART NUMBER: 1-1367646-0
UNSPECIFIED DIMENSIONS REFER TO PN 1367646-8



TRAY	1-1367646-0
PACKAGE	PART NUMBER

THIS DRAWING IS A CONTROLLED DOCUMENT.		DWN P. KERLIN 11MAY2006	 TE Connectivity	
DIMENSIONS: mm		CHK E. BRIGHT 11MAY2006		
TOLERANCES UNLESS OTHERWISE SPECIFIED:		APVD E. BRIGHT 11MAY2006	NAME HEAT SINK CLIP, DWDM SFP	
0 PLC ±-		PRODUCT SPEC	-	
1 PLC ±-		APPLICATION SPEC	114-13178	
2 PLC ±0.10		WEIGHT	-	
3 PLC ±-		Customer Drawing		
4 PLC ±-		SCALE	5:1	SHEET 3 OF 3
ANGLES ±-		FINISH	-	
MATERIAL -		SIZE	A3	CAGE CODE
		DRAWING NO	C=1367646	
		RESTRICTED TO	-	
		REV	C2	

Mouser Electronics

Authorized Distributor

Click to View Pricing, Inventory, Delivery & Lifecycle Information:

[TE Connectivity:](#)

[1367646-4](#)