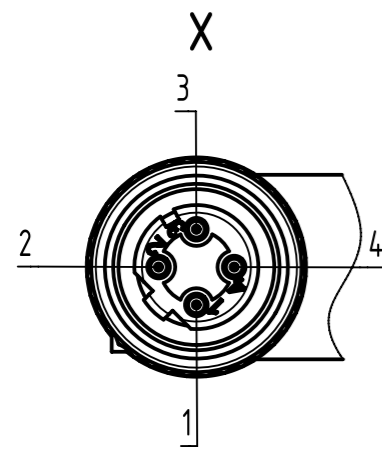


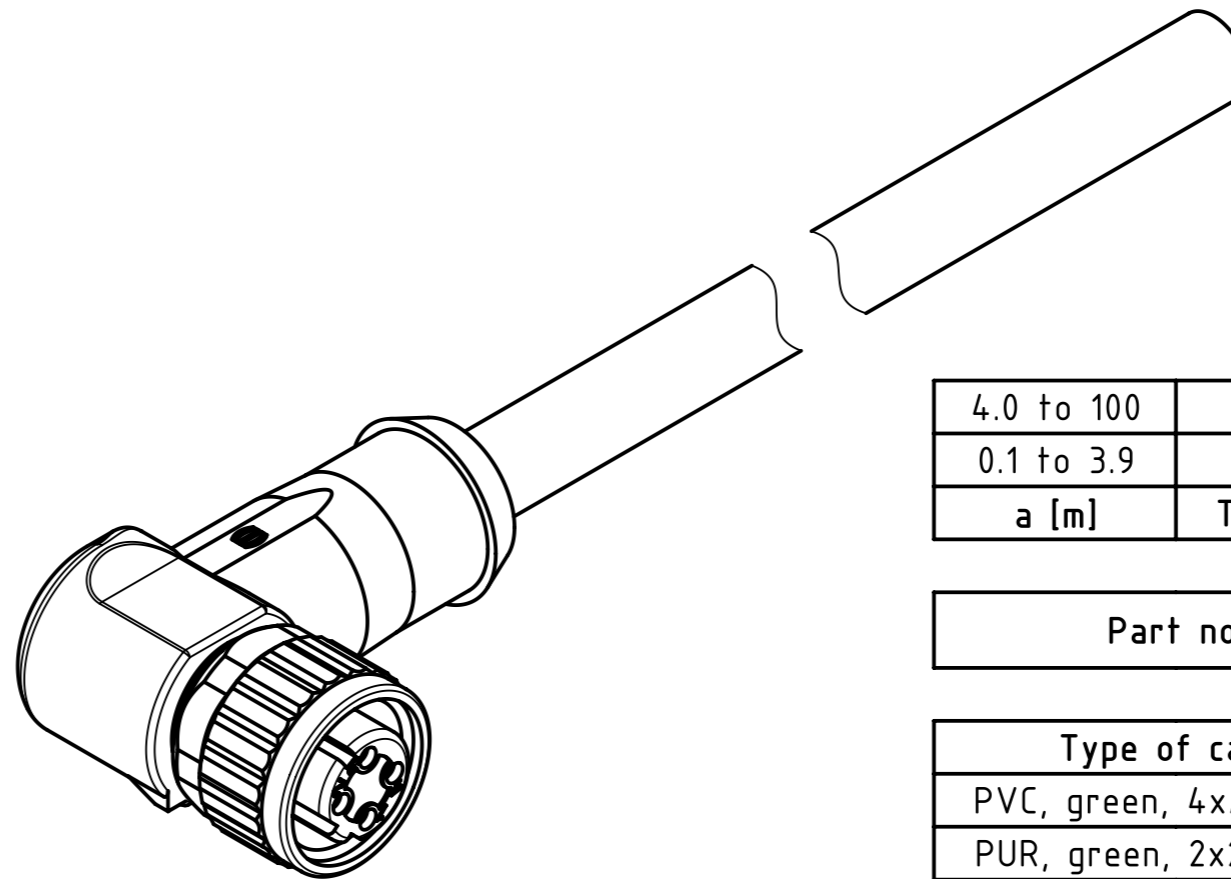
M12 D-coded 4 poles, angled overmolded female connector

X↑



Loading-Plan:

- 1 shield
- 2 yellow
- 3 white
- 4 orange
- blue



4.0 to 100	+1%
0.1 to 3.9	+0.04
a [m]	Tolerance

length in "1m" step	100	XXX=000
	99	XXX=990
	.	.
	12	XXX=120
length in "0.1m" step	11	XXX=110
	10	XXX=100
	9.9	XXX=099
	9.8	XXX=098
	.	.
	0.4	XXX=004
	0.3	XXX=003
	0.2	XXX=002
0.1	XXX=001	
Step	a [m]	XXX

Part no.	213495004XXXXX
-----------------	----------------

Type of cable	XX
PVC, green, 4xAWG22/7	XX=05
PUR, green, 2x2xAWG22	XX=77

- Protection level: IP67
 - Temperature range: -30°C ... +70°C

All rights reserved Department EC PD - RO		All Dimensions in mm Original Size DIN A3	Scale 1:1	Free size tol.	Ref. Sub.
HARTING Electronics GmbH D-32339 Espelkamp	Created by TOMUTA	Inspected by AVRAM	Standardisation HOFFMANN	Date 2014-08-21	State Final Release
Title M12 D-coded Cable Assembly		Type TB		Number 213495004XXXXX	
Doc-Key / ECM-Nr. 100588514/UGD/000/A 50000079044					Rev. A
Page 1/1					

Mouser Electronics

Authorized Distributor

Click to View Pricing, Inventory, Delivery & Lifecycle Information:

[HARTING:](#)

[21349500477010](#)