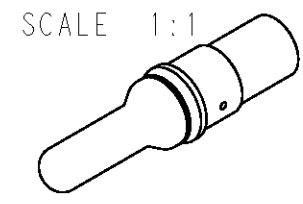
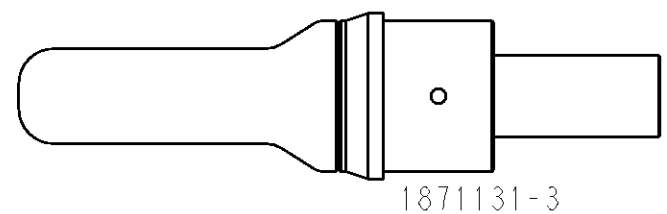
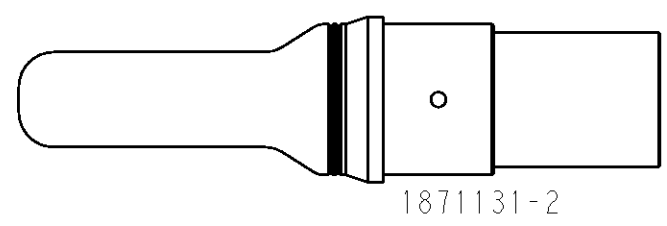
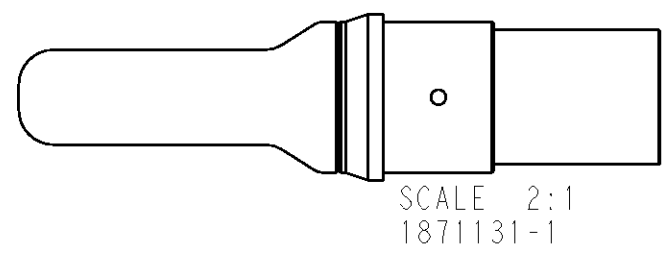
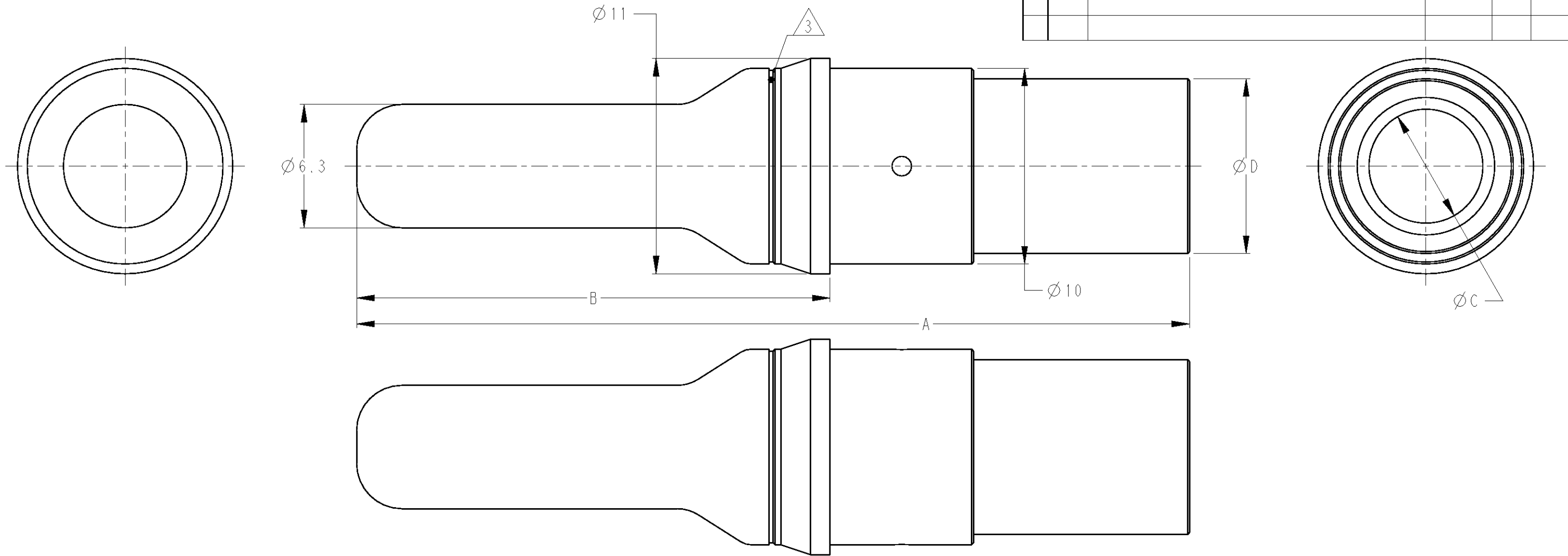


THIS DRAWING IS UNPUBLISHED. RELEASED FOR PUBLICATION 20

© COPYRIGHT 20 BY TYCO ELECTRONICS CORPORATION. ALL RIGHTS RESERVED.

LOC	DIST	REVISIONS					
J	-	P	LTR	DESCRIPTION	DATE	DWN	APVD
		A		RELEASED	31JUL2010	M.M	N.Y
		B		REVISED	31AUG2010	M.M	N.Y

AS SHOWN : 1871131-1



- ① MATERIAL : COPPER
- ② FINISH : SILVER PLATED ALL OVER 2.54μmMIN AFTER NICKEL PLATED ALL OVER 1.3μmMIN
- ③ ID MARK FOR WIRE SIZE.
- 4 .APPLICATED CRIMP HAND TOOL :
  - -1871131-1 : 59975-1 (SET NO 6)
  - -1871131-2 : 59975-1 (SET NO 6)
  - -1871131-3 : 409777-1 (SET NO 5.5)

WIRE RANGE (mm <sup>2</sup> ) (AWG # REF)	ID MARK	D	C	B	A	DESCRIPTION	PART NO
2.7~6.6 (AWG #12-10)	1 LINE	5.4	3.4	28.1	46.4	#10 LONG	1-1871131-3
		5.4	3.4	24.1	42.4	#10 NOMAL	1871131-3
6.7~10.5 (AWG #8)	2 LINE	8.9	4.5	28.1	46.4	# 8 LONG	1-1871131-2
		8.9	4.5	24.1	42.4	# 8 NOMAL	1871131-2
10.6~16.7 (AWG #6)	1 LINE	8.9	5.8	28.1	46.4	# 6 LONG	1-1871131-1
		8.9	5.8	24.1	42.4	# 6 NOMAL	1871131-1

THIS DRAWING IS A CONTROLLED DOCUMENT FOR TYCO ELECTRONICS CORPORATION. IT IS SUBJECT TO CHANGE AND THE CONTROLLING ENGINEERING ORGANIZATION SHOULD BE CONTACTED FOR THE LATEST REVISION.

DIMENSIONS: 単位: 概 mm	TOLERANCES UNLESS OTHERWISE SPECIFIED: 一般公差 ±0.3, ±5°	DWN M. MAEBASHI 31JUL2010	Tyco Electronics Corporation Kawasaki, Japan
		CHK N. YAMASAKI 31JUL2010	
		APVD N. YAMASAKI 31JUL2010	
		PRODUCT SPEC 108-78470	
MATERIAL 材料 ①	FINISH 仕上 ②	APPLICATION SPEC 取付適用規格 114-5452	NAME 名称 DYNAMIC D7000 SERIES PIN CONTACT
		WEIGHT -	SIZE A3 CAGE CODE 00779 DRAWING NO 番号 C=1871131 RESTRICTED TO -

CUSTOMER DRAWING SCALE 5:1 SHEET 1 OF 1 REV B

# Mouser Electronics

Authorized Distributor

Click to View Pricing, Inventory, Delivery & Lifecycle Information:

[TE Connectivity:](#)

[1-1871131-2](#)