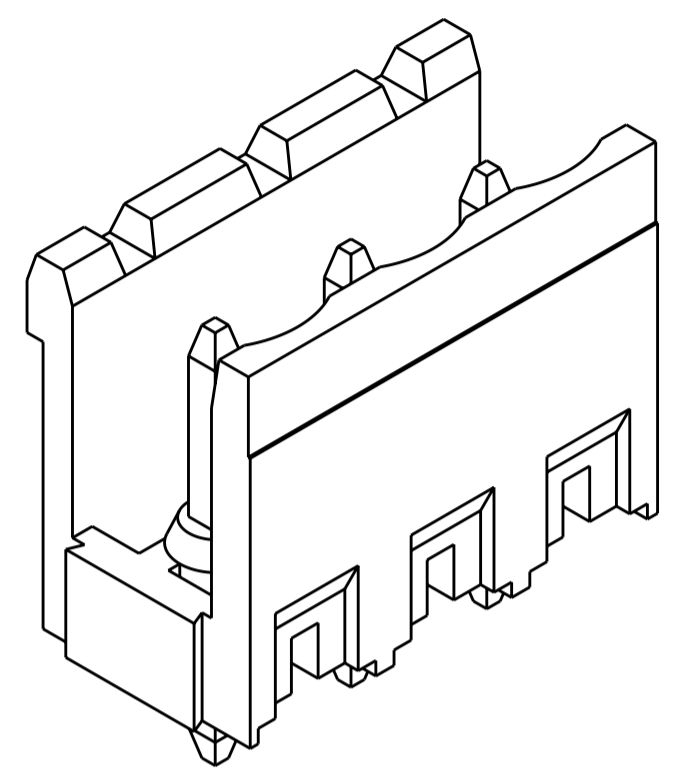
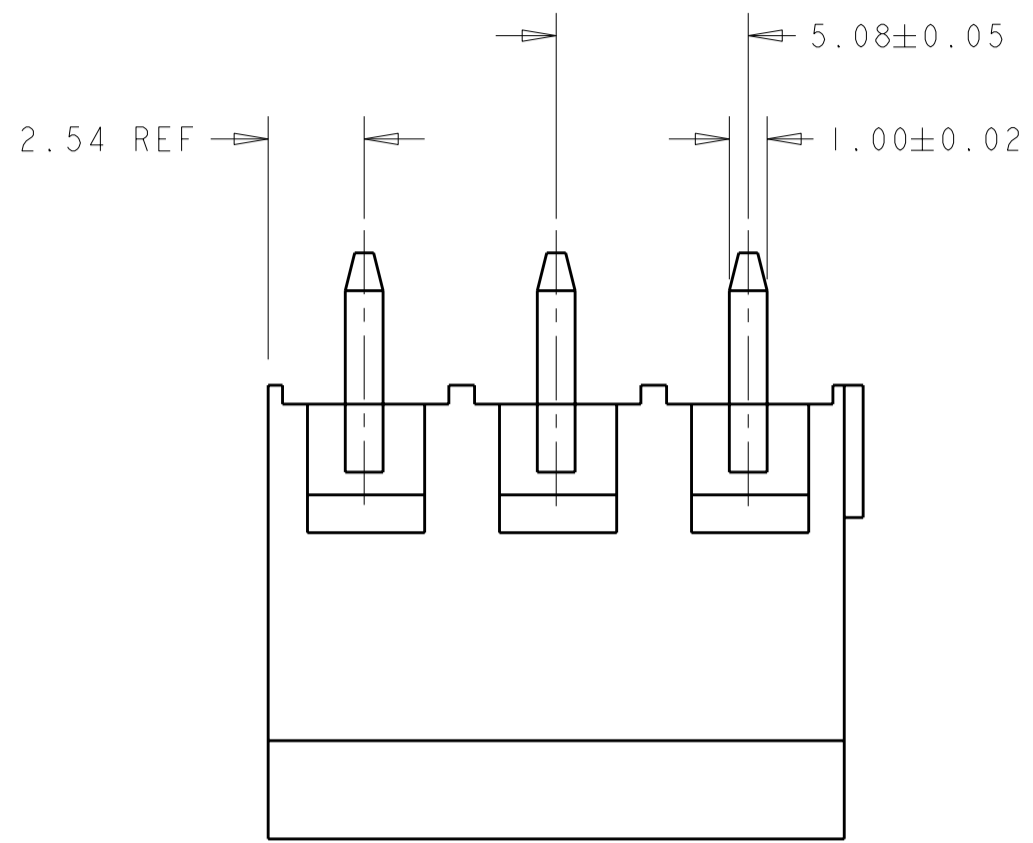


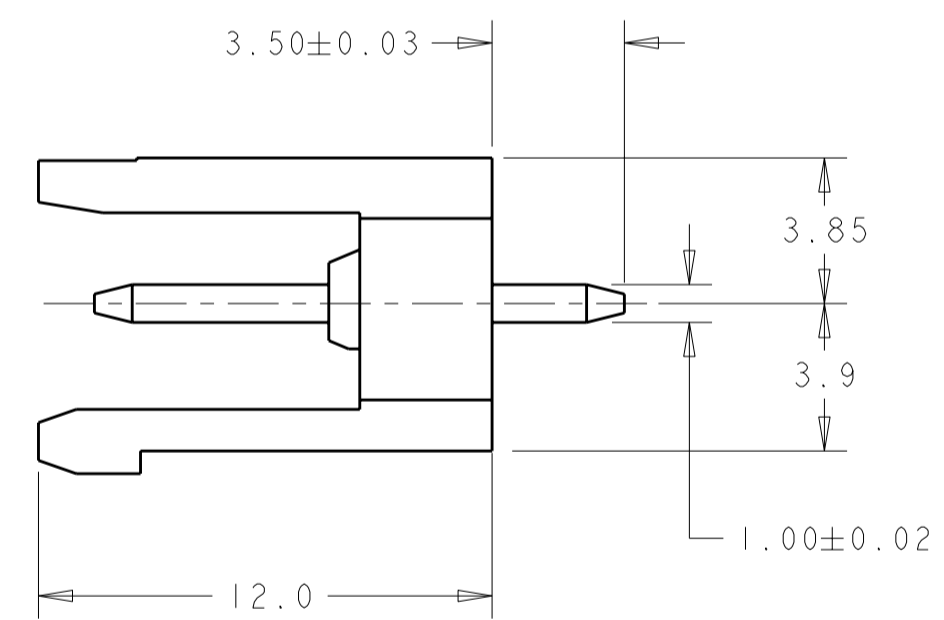
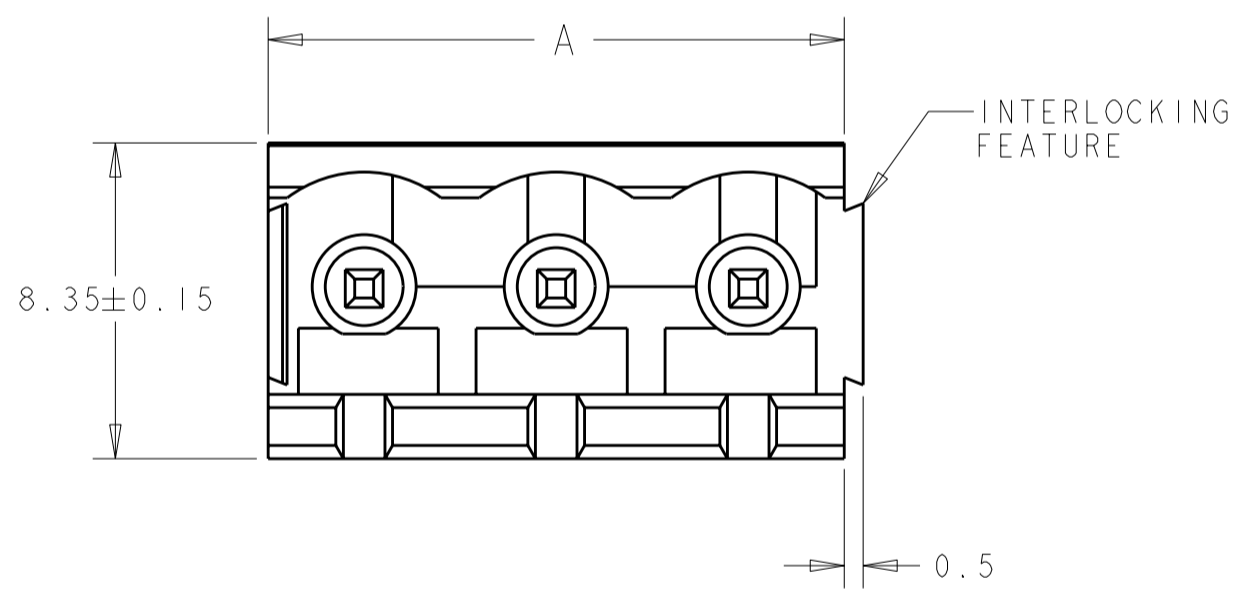
THIS DRAWING IS UNPUBLISHED. RELEASED FOR PUBLICATION 20
 © COPYRIGHT 20 Tyco Electronics AMP GmbH ALL RIGHTS RESERVED.

LOC		DIST		REVISIONS			
P	LTR	DESCRIPTION	DATE	DWN	APVD		
	01	REVISED PER ECO-12-007711	26APR2012	KH	MS		

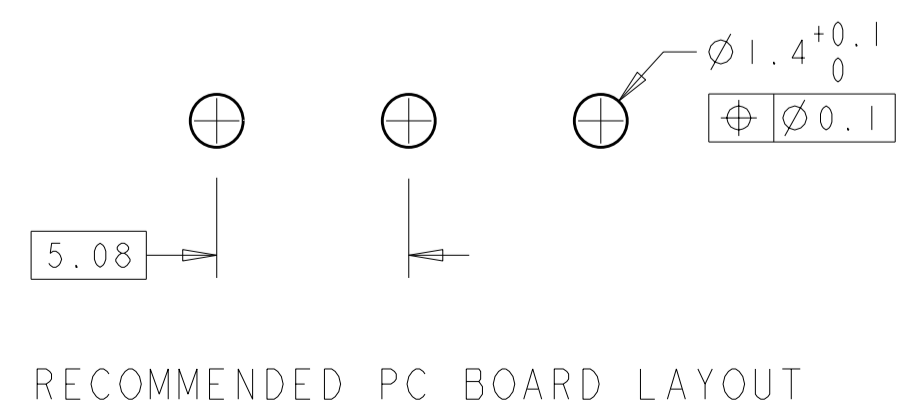


1776143-3 AS SHOWN

- 1. MATERIALS AND FINISH
 HOUSING: HIGH TEMPERATURE POLYAMIDE, UL 94V-0 RATED,
 COLOR: BLACK.
 TERMINAL: COPPER ALLOY, TIN PLATED.
- 2. SUITABLE FOR 1,6-2,4mm PC BOARD THICKNESS.
- 3. END-TO-END STACKABLE WITHOUT LOSS OF CENTERLINE SPACING.
- 4. RECOGNIZED UNDER THE COMPONENT PROGRAM OF UNDERWRITERS LABORATORIES INC., FILE N° E60677.
- 5. IMQ CERTIFICATE WITH SURVEILLANCE IN CONFORMITY WITH IEC 998-1/998-2-1.
- 6. UL RATING: 300V, 15A.



20.32	4	1776143-4
15.24	3	1776143-3
10.16	2	1776143-2
A	NO OF POSN	PART NUMBER



THIS DRAWING IS A CONTROLLED DOCUMENT.		DWN S. WELDON 28JUN2005	STE TE Connectivity	
		CHK C. RICHARD 28JUN2005		
		APVD C. RICHARD 28JUN2005	NAME	
DIMENSIONS: mm		PRODUCT SPEC	TERMINAL BLOCK HEADER ASSEMBLY	
TOLERANCES UNLESS OTHERWISE SPECIFIED:		108-20166	180 DEGREE, OPEN ENDS, STACKING	
0 PLC ±-		APPLICATION SPEC	W/ INTERLOCK, 5.08mm PITCH	
1 PLC ±.2		114-20079	SIZE	CAGE CODE
2 PLC ±.25		WEIGHT	A200779	DRAWING NO
3 PLC ±-			C-1776143	RESTRICTED TO
4 PLC ±-				-
ANGLES ±-				
FINISH		CUSTOMER DRAWING	SCALE 5:1	SHEET 1 OF 1

Mouser Electronics

Authorized Distributor

Click to View Pricing, Inventory, Delivery & Lifecycle Information:

[TE Connectivity:](#)

[1776143-2](#)