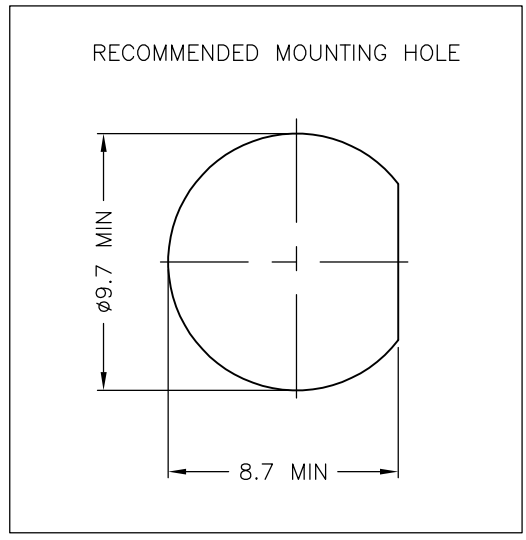
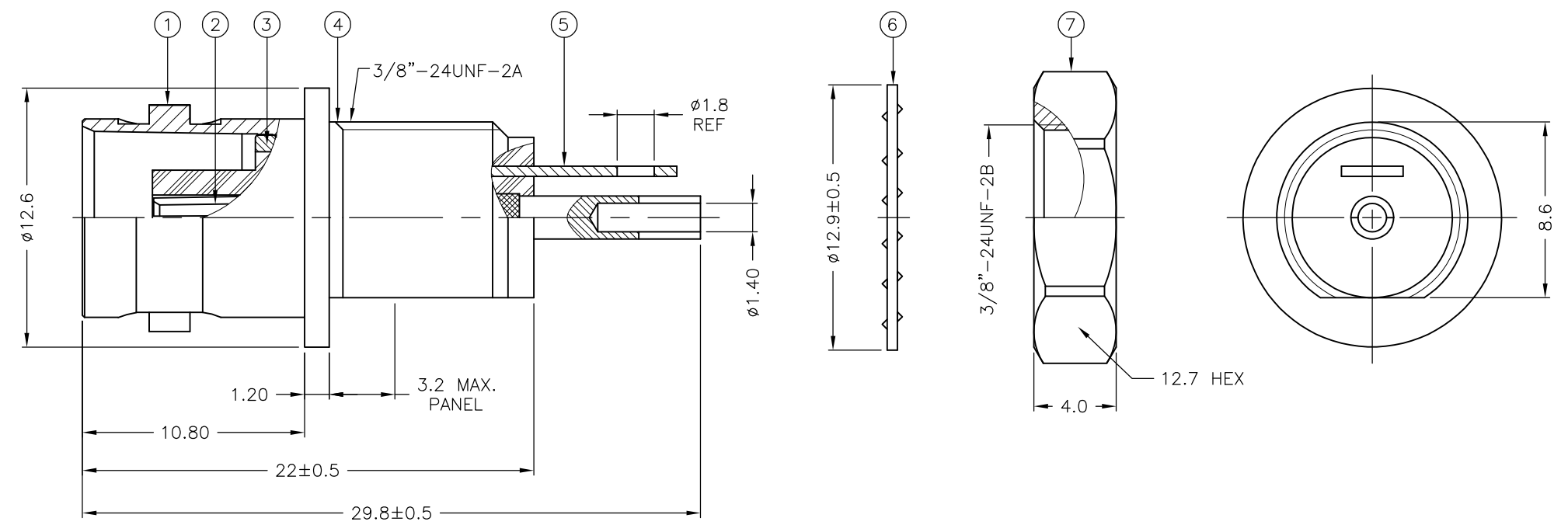


THIS DRAWING IS UNPUBLISHED. RELEASED FOR PUBLICATION NOV , 2005.
 © COPYRIGHT 2005 By - ALL RIGHTS RESERVED.

REVISIONS					
P	LTR	DESCRIPTION	DATE	DWN	APVD
	E	ECO-15-009872	100CT2015	RZ	RS

- NOTES:**
- ① SINGLE PACKING: ONE CONNECTOR PER LABELED BAG PACKAGED. LABELED PER TEC-107-115
 - ② TRAY PACKAGED
 - ③ Ag PLATING
 - ④ Ni PLATING
 - ⑤ Sn PLATING
- 6 **ELECTRICAL CHARACTERISTICS**
 FREQUENCY RANGE: DC - 4 GHz
 NOMINAL IMPEDANCE: 50 Ohm
 INSULATION RESISTANCE: 5000 MOhm
 WORKING VOLTAGE: 500 Volts RMS at Sea Level
 DIELECTRIC WITHSTAND VOLTAGE: 1500 Volts RMS Max
 CONTACT RESISTANCE:
 CENTER CONTACT: 1.5 mOhm Max
 OUTER CONTACT: 1.0 mOhm Max
- 7 **MECHANICAL CHARACTERISTICS**
 MOUNT NUT RECOMMENDED TORQUE: 1 Nm
 DURABILITY: 500 Cycles Min
- 8 **ENVIRONMENTAL CHARACTERISTICS**
 OPERATING TEMPERATURE: -40 to +60 DegC



QTY	QTY PER ASSY	MATERIAL	DESCRIPTION	ITEM
1	1	BRASS	NUT	7
1	1	STEEL	LOCKWASHER	6
1	1	BRASS	GROUNDING TAB	5
1	1	ABS	BODY A	4
1	1	BRASS	WASHER	3
1	1	PHOSPHOR BRONZE	CONTACT	2
1	1	BRASS	BODY B	1
6--0	1--0	MATERIAL	DESCRIPTION	ITEM

THIS DRAWING IS A CONTROLLED DOCUMENT.

DIMENSIONS: mm

TOLERANCES UNLESS OTHERWISE SPECIFIED:
 0 PLC ± -
 1 PLC ± 0.2
 2 PLC ± 0.1
 3 PLC ± -
 4 PLC ± -
 ANGLES ± 5'

MATERIAL: SEE TABLE

FINISH: -

DWN: J.SANDWELL 28NOV05
 CHK: S.PARLOW 28NOV05
 APVD: F.WHEELER-KING 28NOV05

PRODUCT SPEC: -
 APPLICATION SPEC: -
 WEIGHT: -

STE TE Connectivity

NAME: BNC INSULATED BULKHEAD SOCKET FRONT MOUNT 50 OHM

SIZE: A3 CAGE CODE: 00779 DRAWING NO: C-1337447 RESTRICTED TO: -

CUSTOMER DRAWING SCALE: NTS SHEET: 1 OF 1 REV: E

Mouser Electronics

Authorized Distributor

Click to View Pricing, Inventory, Delivery & Lifecycle Information:

[TE Connectivity:](#)

[1-1337447-0](#)