

## Interactive Catalog Supplements Catalog PDFs

If you need detailed product information, or help choosing the right product for your application, see our **Interactive Catalog**. Use the **Interactive Catalog** to access the most complete and up-to-date information available.

The **Interactive Catalog** provides an extensive collection of product specifications, application data, and technical literature that can be searched based on criteria you select.

This PDF catalog information was published in November 2000.



Sensing and Control  
**Interactive  
Catalog...**

**Click this icon to try  
the Interactive Catalog.**

---

### Sensing and Control

Honeywell Inc.

11 West Spring Street

Freeport, IL 61032

## Momentary Explosion-Proof Cable Pull Limit Switches: For Signaling Applications



### FEATURES

- Optional direct acting contacts enhance reliability
- Cable length may be up to 200 ft. in a straight line
- Sealing meets applicable portions of NEMA 1, 3, 4, 7, 9 and 13
- 10 amps continuous carry electrical rating
- 1/2 or 3/4 inch conduit opening
- UL Listed
- CSA Certified
- Internal grounding screw

NEMA standards: 1, 3, 4, 7, 9 and 13. UL listed and CSA certified: Class I, Div. 1, Groups B, C and D. Class II, Div. 1, Groups E, F and G.

### Typical Applications

- Petroleum Plants
- Chemical Plants
- Mining Conveyors

### MOMENTARY (CONTACT SWITCH) OPERATING HEAD

Momentary CLSX Cable Pull Limit Switches are designed for signaling applications; they are not to be used as emergency stop devices. (For emergency stop applications, see the Maintained Explosion-Proof Cable Pull Limit Switch in the Safety Products Catalog.)

When using direct acting contacts, Momentary Cable Pull Limit Switches provide a means to manually force disconnection of a normally closed control circuit by pulling on an attached cable. Momentary switches cause contact transfer if the cable is manually pulled and held. When the cable is released, switch contacts return to their original state. Momentary switches have either direct-acting contacts or snap-action contacts.

### SEALS

CLSX Switches are for use either indoors or outdoors in hazardous atmospheres as they are a completely sealed explosion-proof device.

Application proven HDLS head seals are retained to seal the top of the CLSX. The circular cover on the front is easily unscrewed to expose the switching elements for wiring or replacement. A screwdriver or bar used on the wrenching lugs extending from the front of the cover allows easy removal or tightening. An O-ring seal is located between the housing and cover.

The CLSX withstands pressure of an internal explosion and cools the exploding gases below the kindling temperature of the explosive atmosphere. Flame paths are provided by the cover-housing threads and an extended plunger between the switch cavity and head.

Limit/Enclosed

# Limit and Enclosed Switches

CLSX Series

## Momentary Explosion-Proof Cable Pull Limit Switches: For Signaling Applications

### TECHNICAL DATA CLSX SERIES SPECIFICATIONS

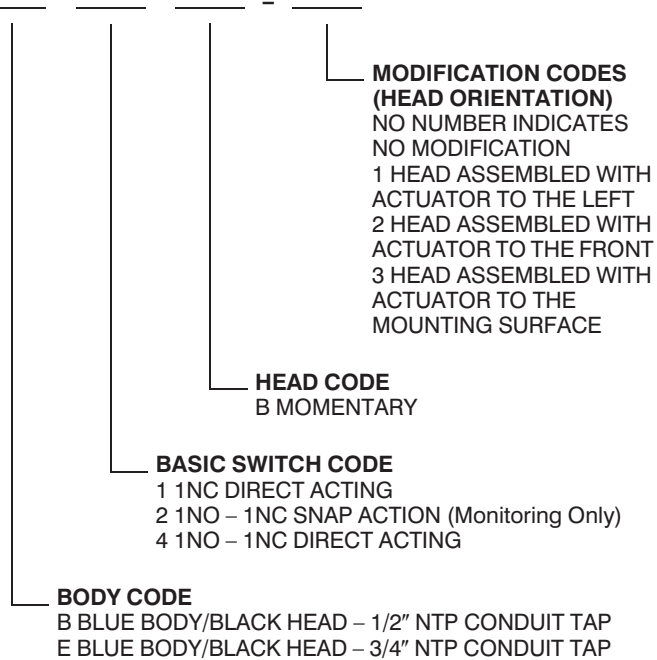
Electrical	
Rate thermal current	$I_{th} = 10 \text{ A}$
Rate insulation voltage	$U_i = 660 \text{ VAC}/660 \text{ VDC}$
Impulse voltage	$U_{imp} = 2.5 \text{ kV}$
Contact resistance	<25 milliohms
Operating rating	AC15 $U = 600 \text{ V}: I = 1.2 \text{ A}$ $U = 240 \text{ V}: I = 3 \text{ A}$ $U = 120 \text{ V}: I = 6 \text{ A}$ DC13 $U = 250 \text{ V}: I = 0.27 \text{ A}$ $U = 24 \text{ V}: I = 2.8 \text{ A}$
UL/CSA	A600/Q300
Mechanical	
Protection class	NEMA 1, 3, 4, 7, 9 and 13
Mechanical life	$10^5$ operations maximum
Temperature Range	$-1^\circ$ to $70^\circ\text{C}$ ( $30^\circ$ to $158^\circ\text{F}$ )
Terminal identification	Numbering to EN50013
Head/housing material	Zinc die cast

### EXAMPLE CATALOG LISTING

Catalog Listing	Description
B4B-1	Blue Body/Black Head – 1/2" NTP Conduit Tap, 1NO – 1NC Direct Acting, Momentary, Head Assembled with Actuator to the Left

### CLSX ORDER GUIDE

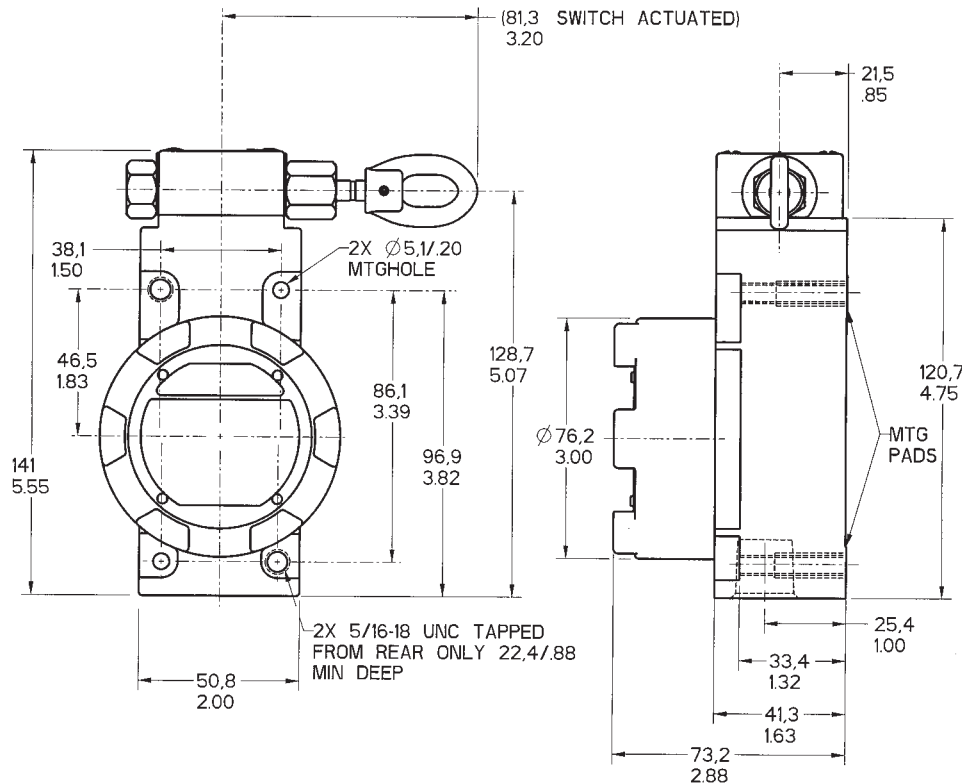
#### CLSX



### CLSX SERIES – BASE PRICE

EXPLOSION – PROOF SINGLE HEAD CABLE PULL LIMIT SWITCH

### MOUNTING DIMENSIONS (For reference only)



# Mouser Electronics

Authorized Distributor

Click to View Pricing, Inventory, Delivery & Lifecycle Information:

[Honeywell:](#)

[CLSXB4B](#)