

- NOTES: (UNLESS OTHERWISE SPECIFIED)
1. MATERIAL: COPPER ALLOY
 2. PLATING: SEE TABLE 1
 3. PACKAGING PER PK-31301-319
 4. CRIMPING PER AS-560023-001
 5. PROBING THE CONTACT INTERFACE OF THE TERMINAL OR AT ANY POINT ON THE TERMINAL BEAM IS NOT PERMITTED
 6. -0422, -0424 TO BE DISCONTINUED AND REPLACED WITH -0444, -0445
-0444, -0445 VALIDATED TO USCAR21 REV3
SECTIONS 4.3, 4.4, & 4.5.2.

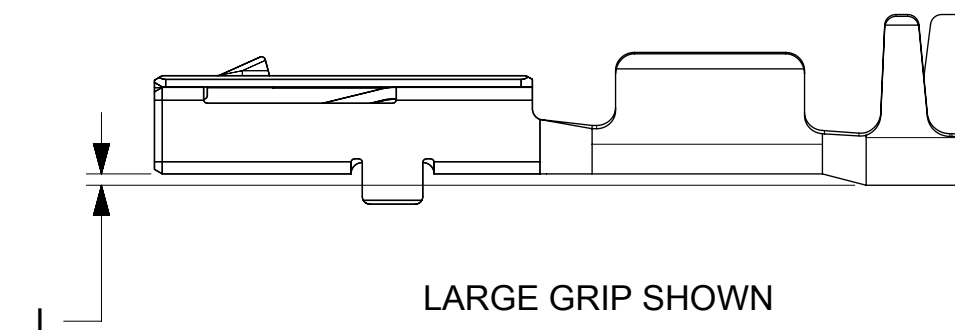
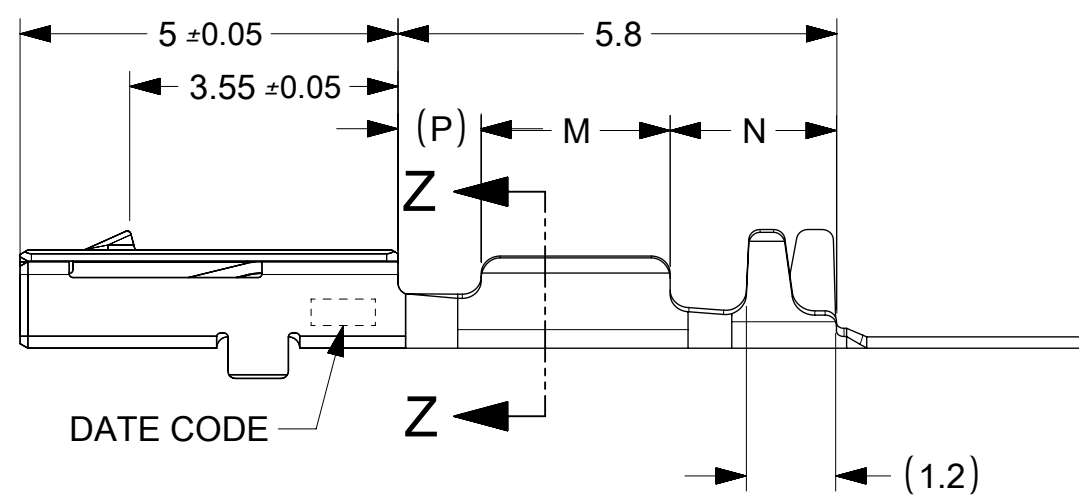
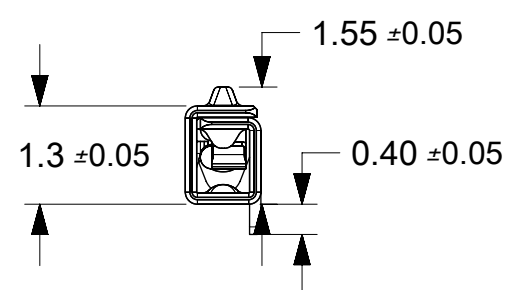


TABLE 1

PART NUMBERS		Plating	STATUS	GRIP CODE	WIRE GAGE mm ²	INSULATION MAX O.D. mm	DIM G	DIM H	DIM J	DIM K	DIM L	DIM M	DIM N	DIM P
D-WIND (LEFT PAYOFF) DEFAULT	B-WIND (RIGHT PAYOFF)						+0.20 -0.15	±0.20	±0.10	±0.20	±0.05	±0.10	±0.10	REF
560023-0421	560023-0423	Sn	SALEABLE	M	0.22	1.20	1.65	2.25	0.45	0.47	0.00	2.00	2.4	1.4
560023-0422*	560023-0424*	Sn		S	0.13	1.05	1.27	1.90	0.34	0.41	0.00	2.00	2.4	1.4
560023-0444	560023-0445	Sn		S	0.13	1.05	1.32	1.90	0.24	0.41	0.00	2.50	2.2	1.1
560023-0448	560023-0450	Sn	IN VALIDATION	L	0.35	1.40	1.65	2.35	0.40	0.68	0.15	2.50	2.2	1.1
560023-0521	560023-0523	Au		M	0.22	1.20	1.65	2.25	0.45	0.47	0.00	2.00	2.4	1.4
560023-0544	560023-0545	Au		S	0.13	1.05	1.32	1.90	0.24	0.41	0.00	2.50	2.2	1.1
560023-0548	560023-0550	Au	SALEABLE	L	0.35	1.40	1.65	2.35	0.40	0.68	0.15	2.50	2.2	1.1

FORMAT: Engineering Standard 02-0001
REVISION: A
DATE: 2018/06/07

THIS DRAWING CONTAINS INFORMATION THAT IS PROPRIETARY TO MOLEX ELECTRONIC TECHNOLOGIES, LLC AND SHOULD NOT BE USED WITHOUT WRITTEN PERMISSION

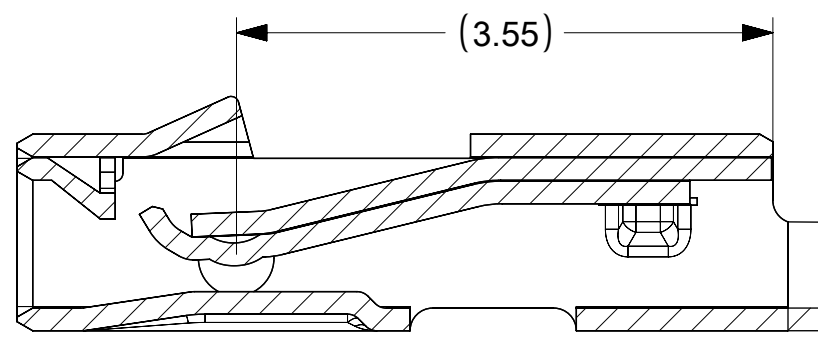
QUALITY SYMBOLS	EC DESCRIPTION	GENERAL TOLERANCES (UNLESS SPECIFIED)		DIMENSION UNITS		SCALE
		MM	INCH	mm	INCH	15:1
▽ = 0	EC NO: 177678 DRWN: NVENKATESHSH CHKD: TOMSMITH APP: TOMSMITH 2018/06/05 2018/06/07 2018/06/07	4 PLACES ± --- ± ---		DRWN BY		DATE
▽ = 0		3 PLACES ± --- ± ---		TJSMITH		2009/05/02
▽ = 1		2 PLACES ± 0.10 ± ---		CHK'D BY		DATE
▼ = 0		1 PLACES ± 0.10 ± ---		DNICHOLAS		2009/05/20
▽ = 0		0 PLACES ± --- ± ---		APPR BY		DATE
☒ = 0		ANGULAR TOL = 5		BMOSER		2009/05/20
■ = 0	DRAFT WHERE APPLICABLE MUST REMAIN WITHIN DIMENSIONS		DRAWING SIZE		THIRD ANGLE PROJECTION	
▽ = 0	A	C				

molex

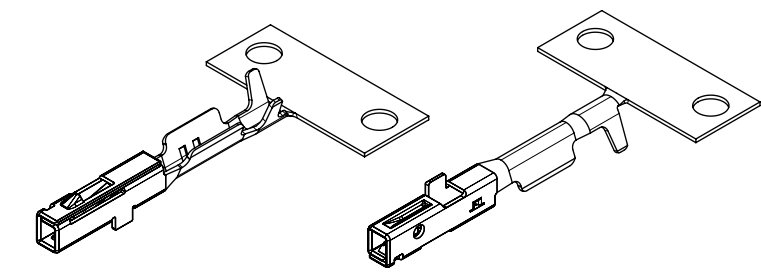
CTX50 RECEPTACLE TERMINAL UNSEALED RSD

PRODUCT CUSTOMER DRAWING

SERIES	MATERIAL NUMBER	CUSTOMER
560023	SEE TABLE	NIO
DOCUMENT NUMBER	DOC TYPE	DOC PART
5600230001	PSD	000
SHEET NUMBER	1 OF 1	



SECTION X-X
SCALE 20:1



NOTES: (UNLESS OTHERWISE SPECIFIED)

1. MATERIAL: COPPER ALLOY
2. PLATING: SEE TABLE 1
3. PACKAGING PER PK-31301-319
4. CRIMPING PER AS-560023-001
5. PROBING THE CONTACT INTERFACE OF THE TERMINAL OR AT ANY POINT ON THE TERMINAL BEAM IS NOT PERMITTED

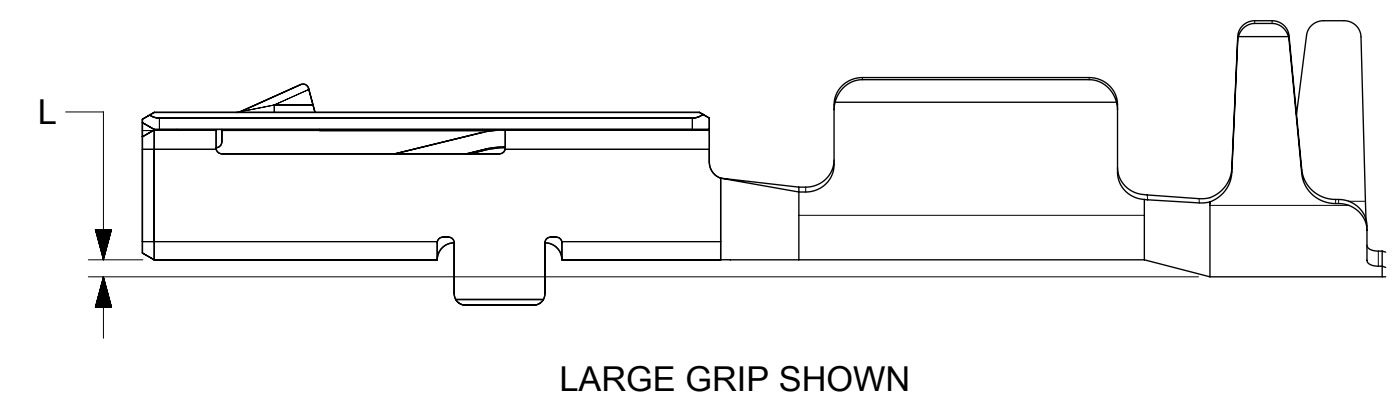
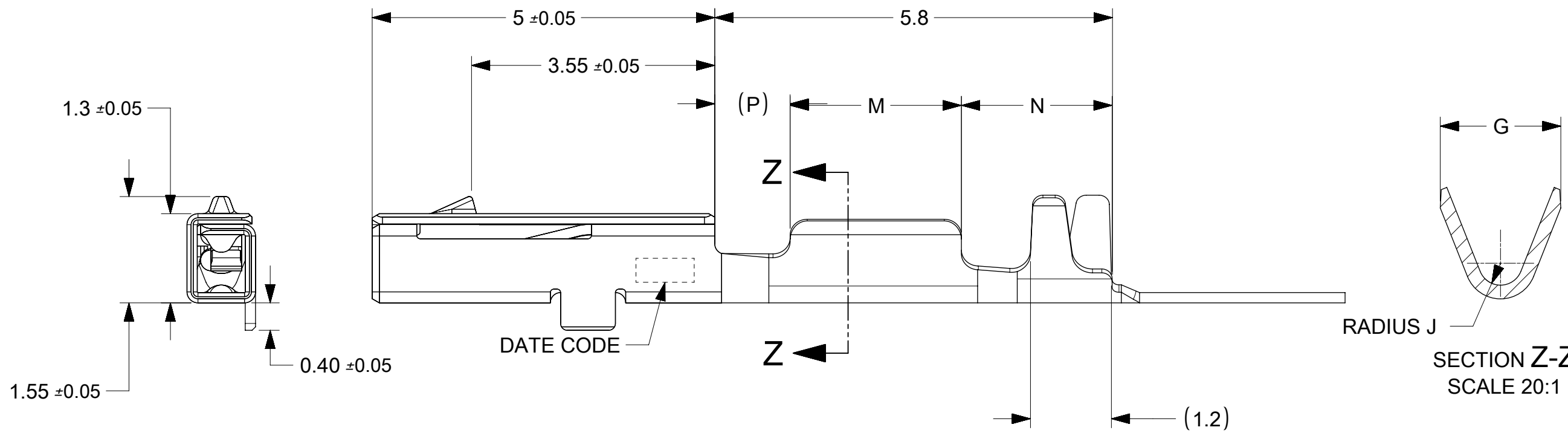
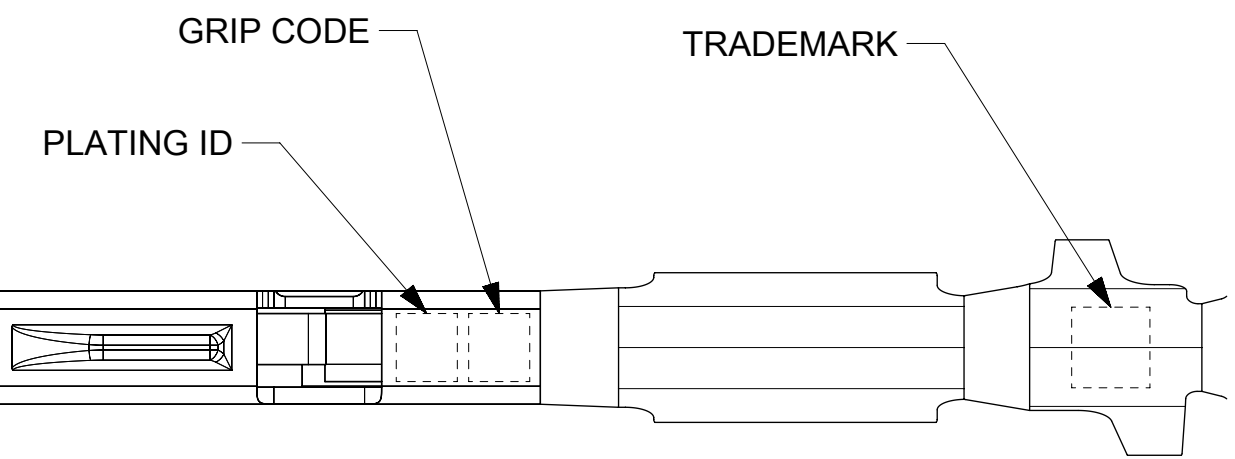
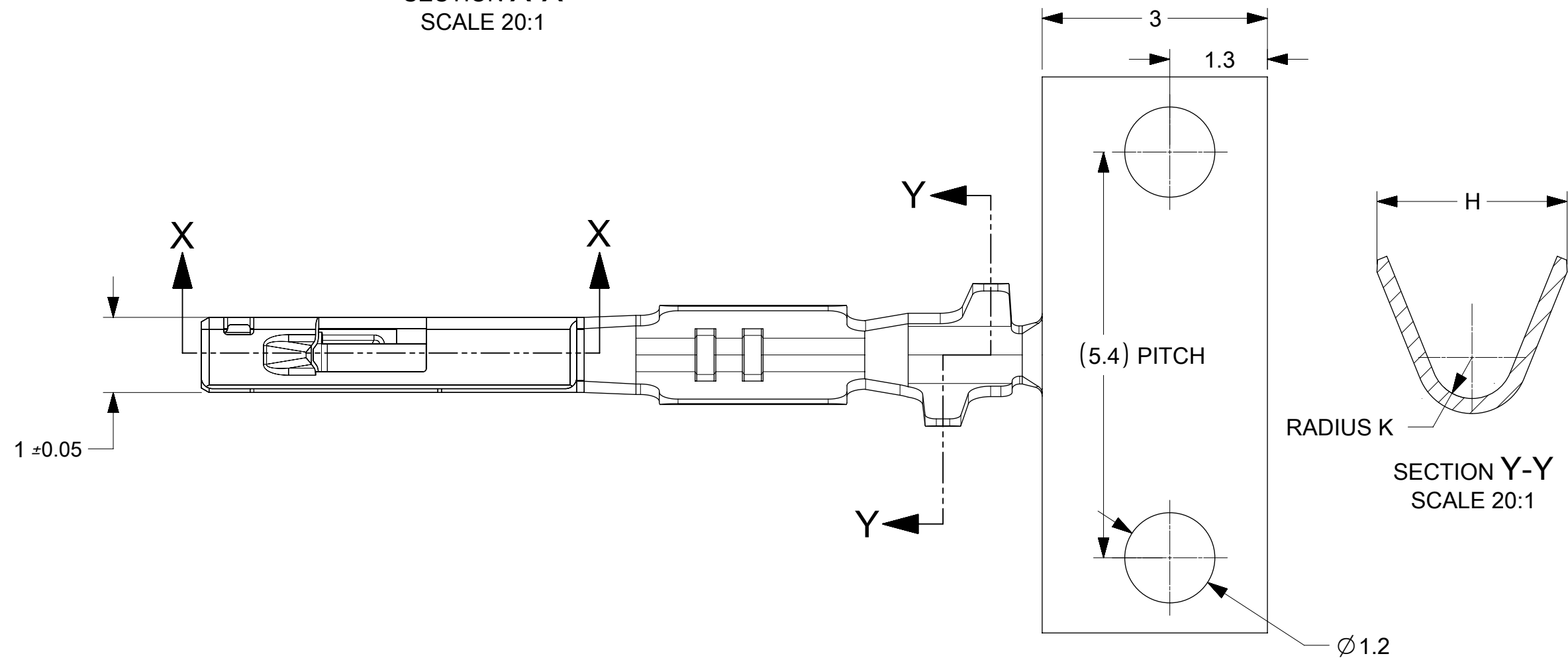


TABLE 1

PART NUMBERS		Plating	STATUS	GRIP CODE	WIRE GAGE mm ²	INSULATION MAX O.D. mm	DIM G	DIM H	DIM J	DIM K	DIM L	DIM M	DIM N	DIM P
D-WIND (LEFT PAYOFF) DEFAULT	B-WIND (RIGHT PAYOFF)						+0.20 -0.15	±0.20	±0.10	±0.20	±0.05	±0.10	±0.10	REF
560023-0421	560023-0423	Sn	SALEABLE	M	0.22	1.05	1.65	2.25	0.45	0.47	0.00	2.00	2.4	1.4
560023-0444	560023-0445	Sn		S	0.13	1.05	1.32	1.90	0.24	0.41	0.00	2.50	2.2	1.1
560023-0448	560023-0450	Sn		L	0.35	1.40	1.65	2.35	0.40	0.68	0.15	2.50	2.2	1.1
560023-0521	560023-0523	Au	IN VALIDATION	M	0.22	1.05	1.65	2.25	0.45	0.47	0.00	2.00	2.4	1.4
560023-0544	560023-0545	Au	SALEABLE	S	0.13	1.05	1.32	1.90	0.24	0.41	0.00	2.50	2.2	1.1
560023-0548	560023-0550	Au		L	0.35	1.40	1.65	2.35	0.40	0.68	0.15	2.50	2.2	1.1

THIS DRAWING CONTAINS INFORMATION THAT IS PROPRIETARY TO MOLEX ELECTRONIC TECHNOLOGIES, LLC AND SHOULD NOT BE USED WITHOUT WRITTEN PERMISSION

QUALITY SYMBOLS ▽ = 0 ▽ = 0 ▽ = 0 ▽ = 0 ▽ = 0 ▽ = 0 ▽ = 0 ▽ = 0	EC DESCRIPTION EC NO: 609329 DRWN: SMAHADIK CHKD: TOMSMITH REV: APPR: TOMSMITH	GENERAL TOLERANCES (UNLESS SPECIFIED)		DIMENSION UNITS		SCALE	
				mm		15:1	
				DRWN BY	DATE		
				TJSMITH	2009/05/02		
				CHK'D BY	DATE		
				DNICHOLAS	2009/05/20		
				APPR BY	DATE		
				BMOSEY	2009/05/20		
				ANGULAR TOL = 5	DRAWING SIZE	THIRD ANGLE PROJECTION	
					C		
				DRAFT WHERE APPLICABLE MUST REMAIN WITHIN DIMENSIONS			
				SERIES		MATERIAL NUMBER	
				560023		SEE TABLE	
				CUSTOMER		GENERAL MARKET	
				DOCUMENT NUMBER	DOC TYPE	DOC PART SHEET NUMBER	
				SD-560023-002	PSD	000 1 OF 1	