

RELAYS AND CONTACTORS

D.C. Power Contactors – Type 686

Type 686



Sec.	STANCOR PART NUMBER	Duty Cycle	Terminal Type*	Pole Form	Bracket Style	Coil Volt. D.C.	Coil Resistance (Ohms) @25°C	Contact Material	Contact Rating-(Amps.) Inductive Load			DIMENSIONS INCHES			Weight (oz.)	Agency Certif.		
									Volt. D.C.	Normally Open Continuous	Normally Closed Continuous	L	W	H				
A	686-901	Continuous	4	SPNO	Vertical	12-36	3.3	Copper	12-36	500	1200	-	-	3.17	2.58	2.85	15	-
	686-902	Continuous	4	SPNO	Vertical	48-96	3.3	Copper	48-96	500	1200	-	-	3.17	2.58	2.85	15	-

— Water Resistant

* Terminal Type: "4" = Isolated Coil

** Inrush Current: Current applied within the first 1/2 second of contact closure

For outline drawings refer to page 59.

Engineering Design Data

D.C. Type	Coil Rating Nominal Magnetic Coil Rating (Watts)	Operation in % of Nom. Coil Voltage Rating		Breakdown Voltages * All Terminals - 60 Hz RMS			Contact Material		Electrical Life		Mechanical Life		Max. Oper. Temp. °F
		Pick-up	Max. Safe Operate	Opposite Polarity	Open Contacts Same Polarity	To Ground	Power	Pilot	Oper. At Rated Load	Oper. Per Min.	Oper. At No Load	Oper. Per Min.	
686	2.4	80	110	2200	2200	2200	Copper	-	100,000	2	100,000	6	149

* Dielectric @ Sea Level

Storage Temperature

— -40°F to 247°F

Terminations

— Contacts: 5/16" - 24 UNF - 2A Thread

— Coil:

Leads: Black (-), Red (+)

Terminals: #10-32 stud coil terminals

Recommended Mounting

— Available with bottom or side mounting. Not position sensitive.

Hardware Torque Specification

— Contact Terminal: 45-60 in-lbs.

— Coil Terminal: 12-18 in-lbs.

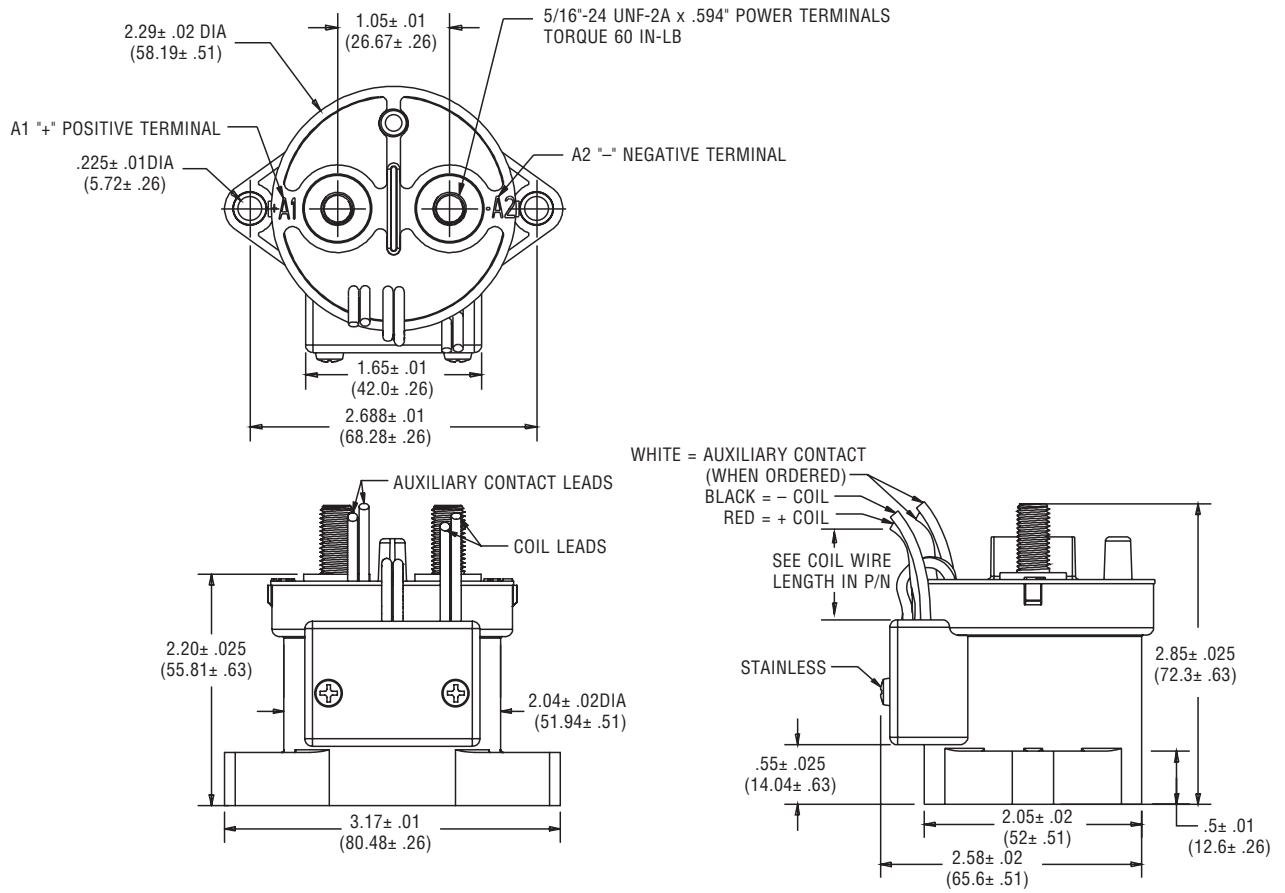
Type 686 Custom Design Capabilities

— Coil voltages 12 VDC through 96 VDC

— Please complete application data form on page 95 of this section.

— **Type 686 RoHS Compliant**

Outline Dimensions



Mouser Electronics

Authorized Distributor

Click to View Pricing, Inventory, Delivery & Lifecycle Information:

[White-Rodgers:](#)

[686-901](#) [686-902](#)