

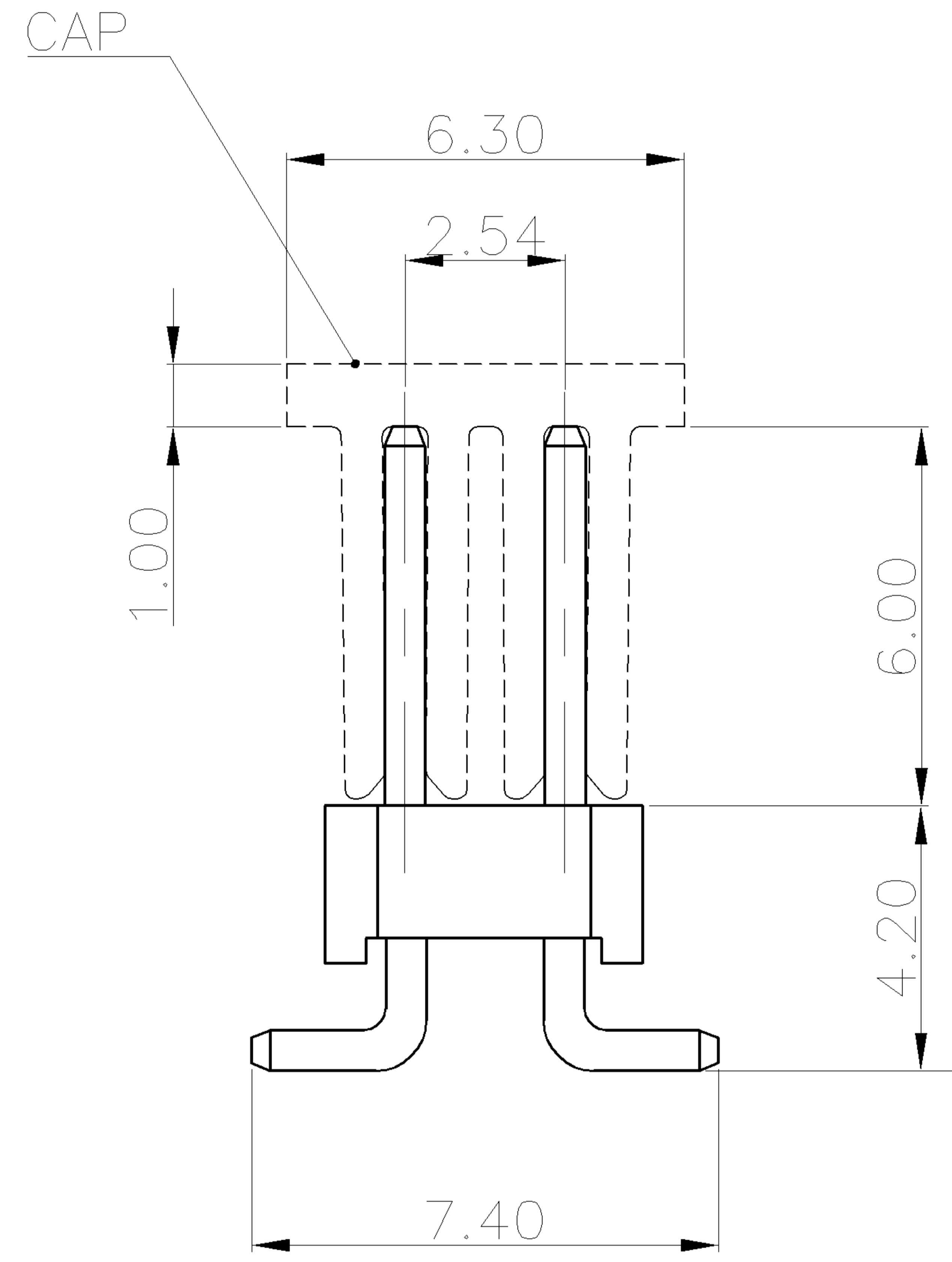
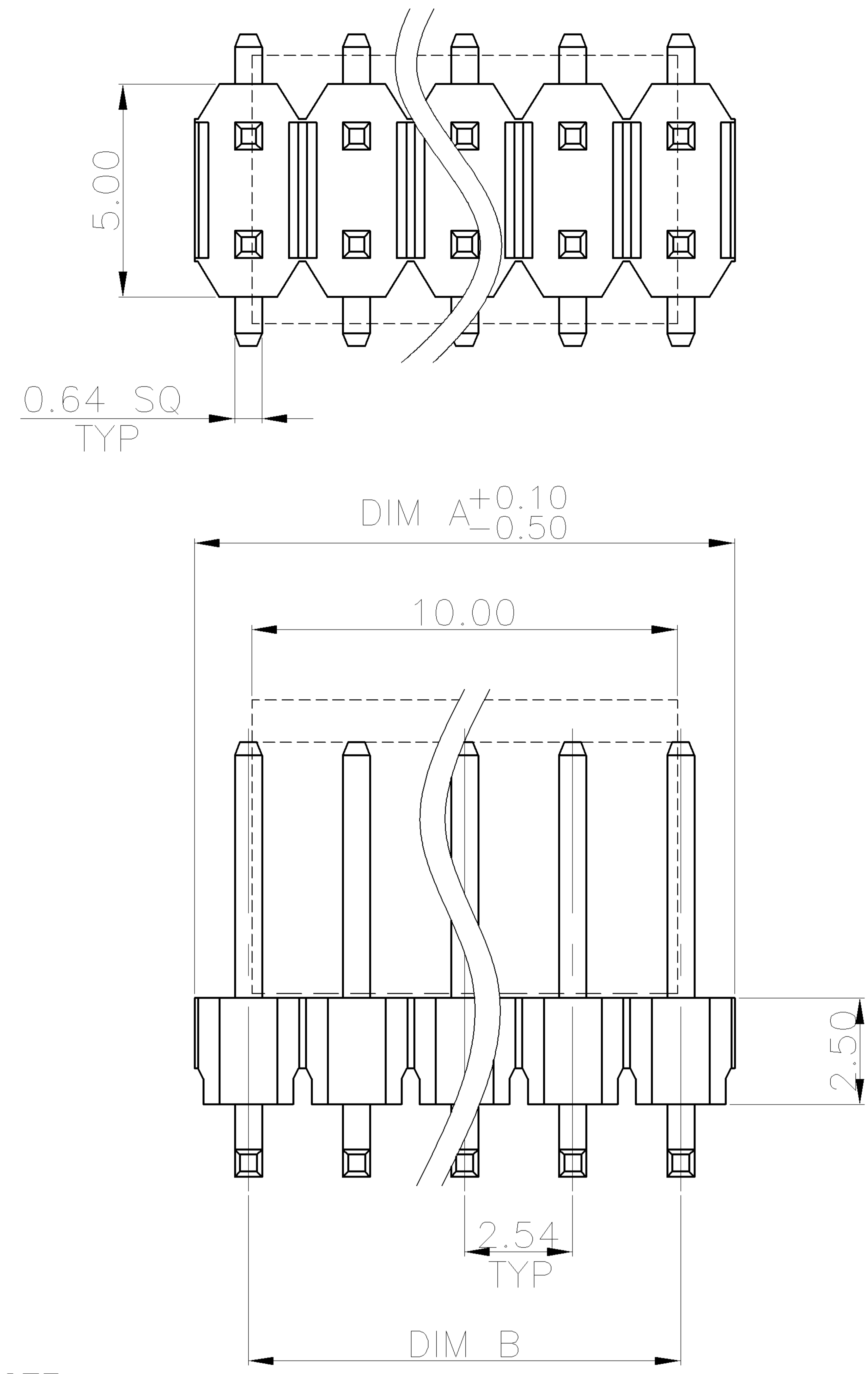
THIS INFORMATION IS CONFIDENTIAL AND IS DISCLOSED TO YOU ON CONDITION THAT NO FURTHER DISCLOSURE IS MADE BY YOU TO OTHER THAN AMP PERSONNEL WITHOUT WRITTEN AUTHORIZATION FROM AMP (TAIWAN) LTD. DIMENSIONS IN MILLIMETERS. DO NOT SCALE PRINT.

NUMBER
C-1775448

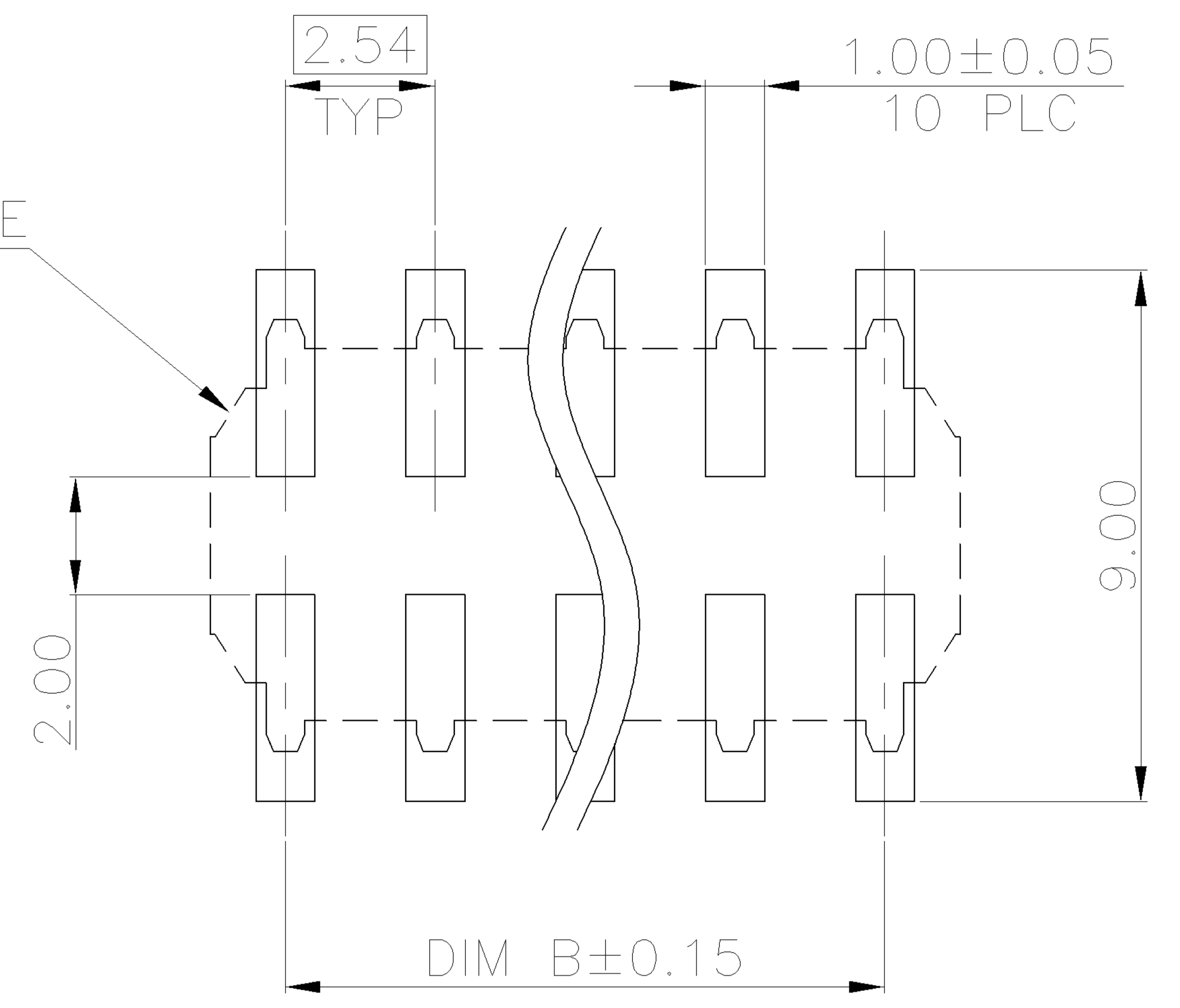
3RD ANGLE PROJECTION

METRIC

PRINT DIST
DW



CONNECTOR OUTLINE



RECOMMENDED P.C.B LAYOUT

NOTE:

- MATERIAL:
HOUSING: NYLON 6T WITH 33% GF, UL 94V-0, BLACK COLOR.
CAP: NYLON 6T WITH 40% GF, UL 94V-0, BLACK COLOR.
POSTS: BRASS.
- FINISH:
POSTS: GOLD FLASH OVER 1.27μm [50μ"] MIN. NICKEL ON ENTIRE POST.
- REFLOW SOLDER CAPABLE TO 260°C AS PER TYCO SPEC. 109-201, CONDITION B.
- NO TYCO LOGO AND DATE CODE ON THE PRODUCT.

1.13	15.24	17.78	14	1775448-2
0.94	10.16	12.70	10	1775448-1
WEIGHT (GRAMS)	DIMENSIONS		NO. OF POSITIONS	PART NUMBER

TOLERANCES UNLESS OTHERWISE SPECIFIED: 0 PLC ±- 1 PLC ±0.3 2 PLC ±0.25 3 PLC ±0.2 ANGLES ±3'		DWN A. WU 19-JUN-2006	TYCO HOLDINGS (BERMUDA) VII LTD. TAIWAN BRANCH	
MATERIAL SEE NOTE		CHK S. HOU 19-JUN-2006	NAME PIN HEADER, PITCH 2.54mm, VERTICAL, SMT TYPE.	
FINISH SEE NOTE		APVD W.J. KE 19-JUN-2006	PRODUCT SPEC 108-57576	LOC DW
QUALIFICATION TEST REPORT 501-57667		SCALE --	SIZE A ₃	DRAWING NO C-1775448
WEIGHT SEE TABLE		SHEET 1 OF 2		REV A

A	FIRST RELEASED	--	AW SH	19JUN 2006
LTR	REVISION RECORD	ECN	DWN CHK	DATE

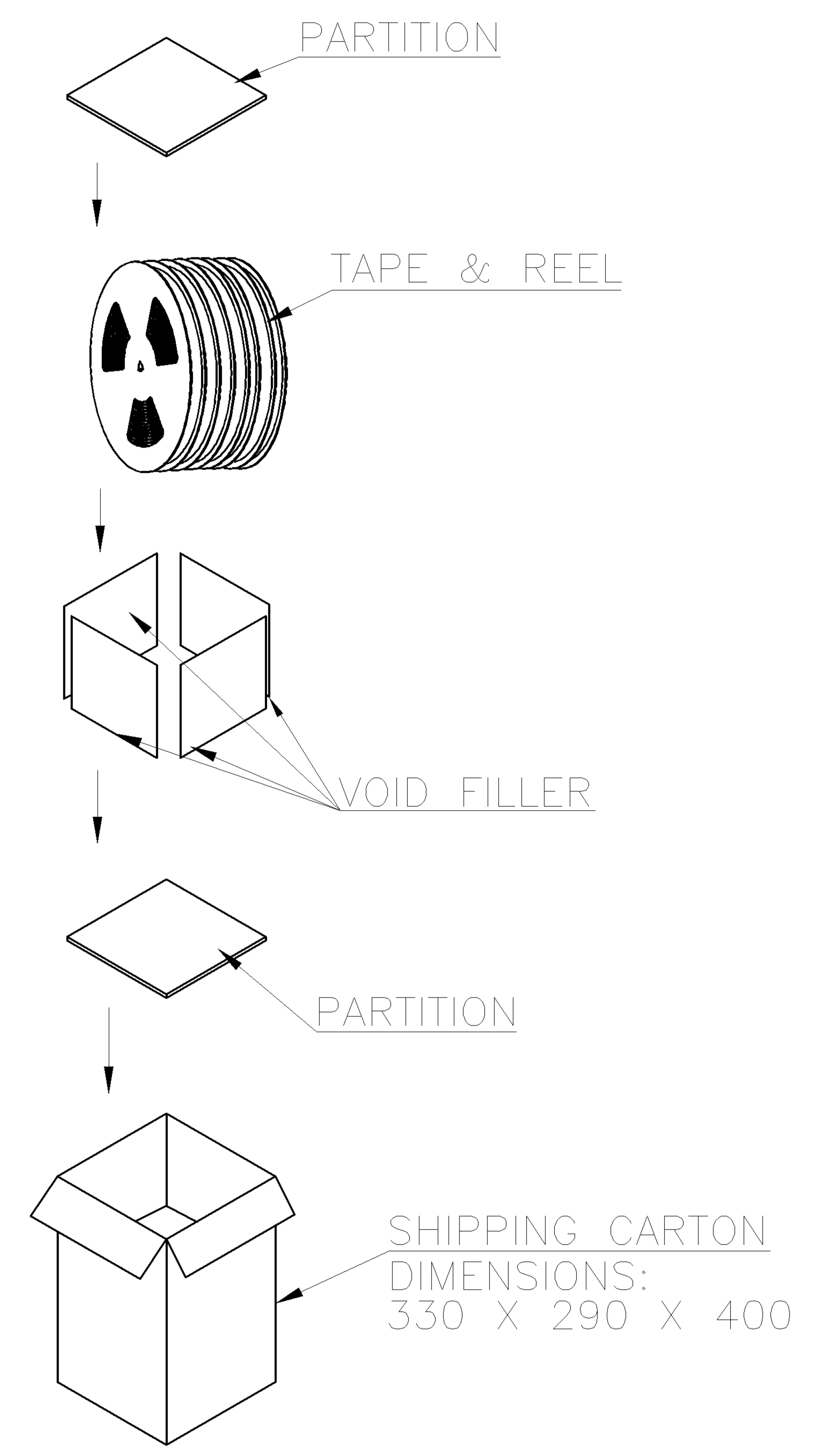
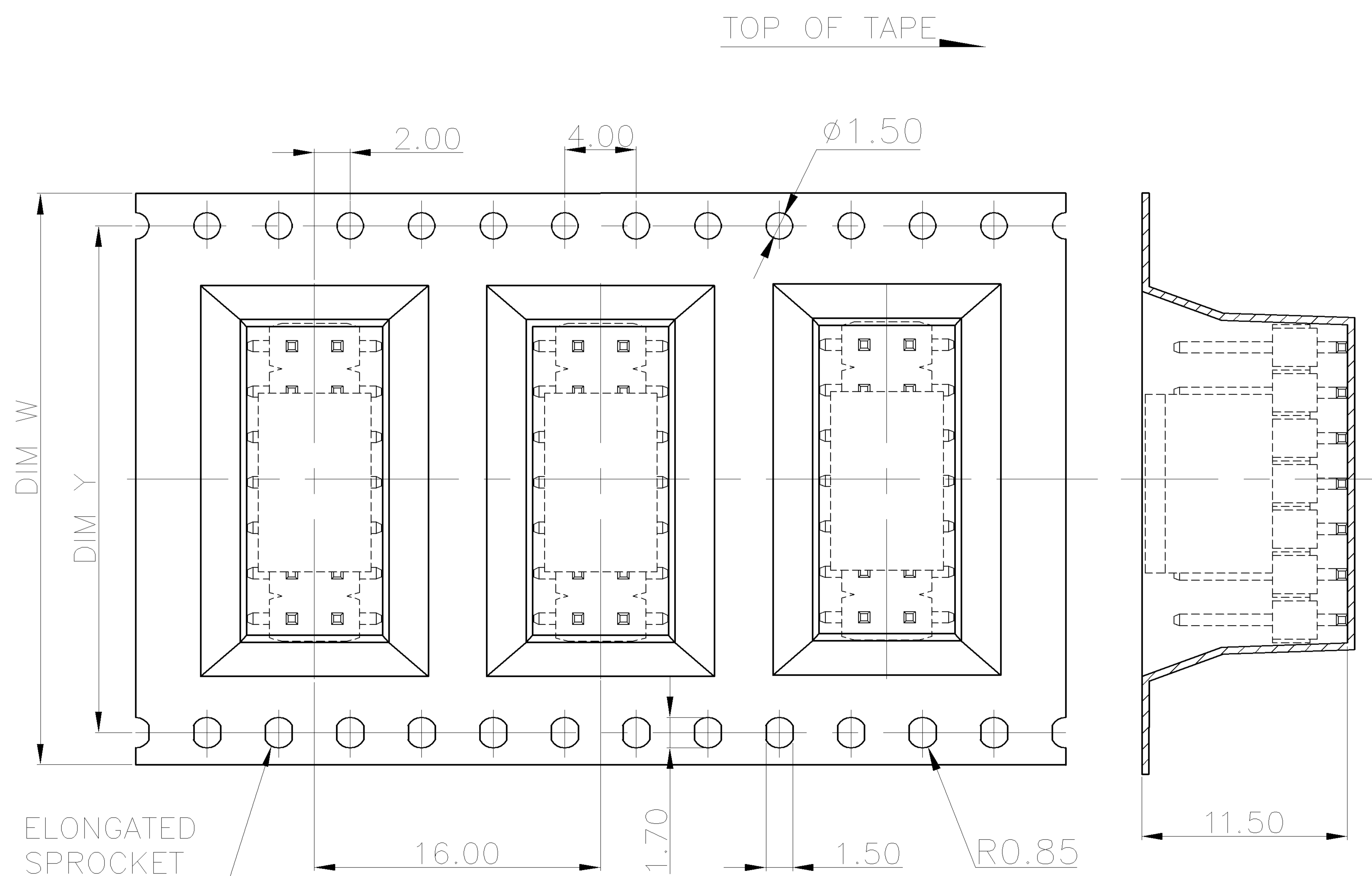
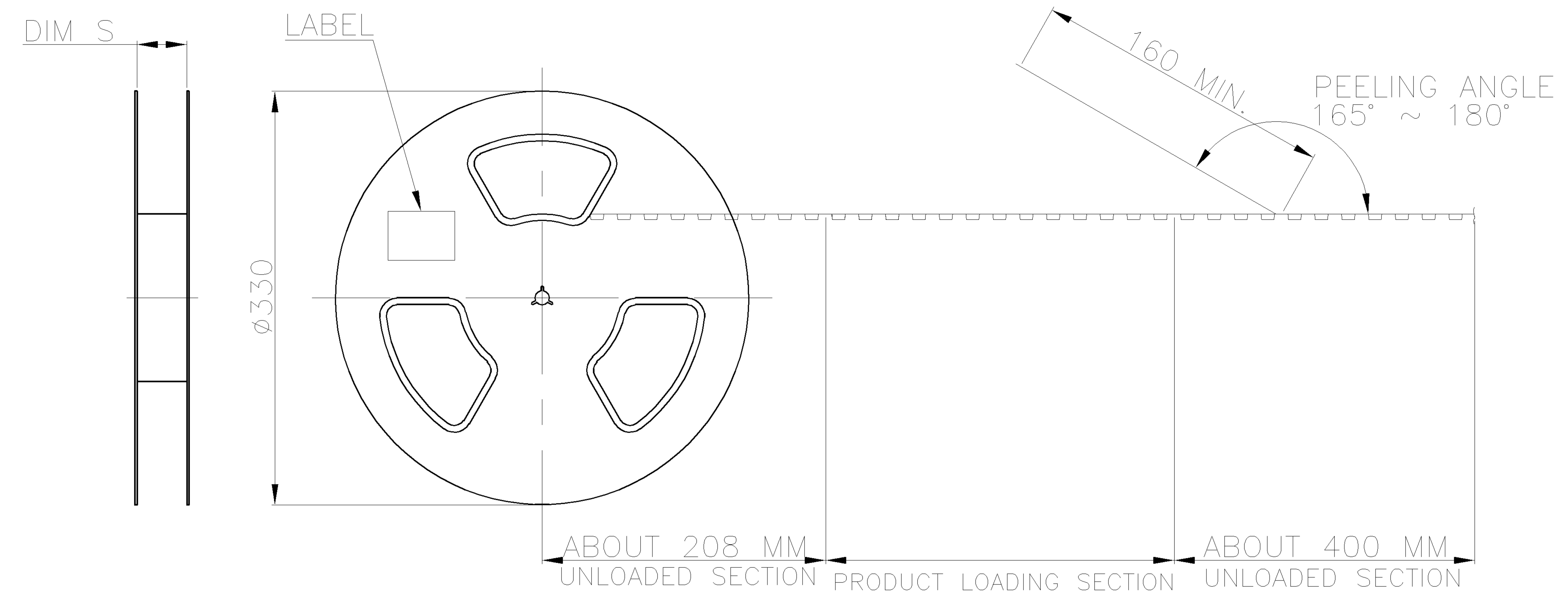
NUMBER
C-1775448

3RD ANGLE PROJECTION

METRIC

THIS INFORMATION IS CONFIDENTIAL AND IS DISCLOSED TO YOU ON CONDITION THAT NO FURTHER DISCLOSURE IS MADE BY YOU TO OTHER THAN AMP PERSONNEL WITHOUT WRITTEN AUTHORIZATION FROM AMP (TAIWAN) LTD. DIMENSIONS IN MILLIMETERS. DO NOT SCALE PRINT.

PRINT DIST DW



2100	300	7	5.38	1.53	32.4	28.4	32	14
2100	300	7	4.98	1.13	24.5	N/A	24	10
QUANTITY	PCS/TAPE	REELS/CARTON	G/W (KGS)	N/W (KGS)	DIM S	DIM Y	DIM W	NO. OF POSITIONS

TOLERANCES UNLESS OTHERWISE SPECIFIED: 0 PLC ±- 1 PLC ±- 2 PLC ±- 3 PLC ±- ANGLES ±-		DWN A. WU 19-JUN-2006	tyco TYCO HOLDINGS (BERMUDA) Electronics VII LTD. TAIWAN BRANCH		
MATERIAL	APVD	CHK S. HOU 19-JUN-2006	NAME		
FINISH	-	W.J. KE 19-JUN-2006	PIN HEADER, PITCH 2.54mm, VERTICAL, SMT TYPE.		
PRODUCT SPEC	-	LOC DW	SIZE A ₃	DRAWING NO C-1775448	REV A
QUALIFICATION TEST REPORT	-	SCALE		SHEET	
WEIGHT	-	--		2 OF 2	

SEE SHEET 1	ECN	DWN	CHK	DATE
LTR	REVISION RECORD			

CUSTOMER DRAWING

Mouser Electronics

Authorized Distributor

Click to View Pricing, Inventory, Delivery & Lifecycle Information:

[TE Connectivity:](#)

[1775448-1](#)