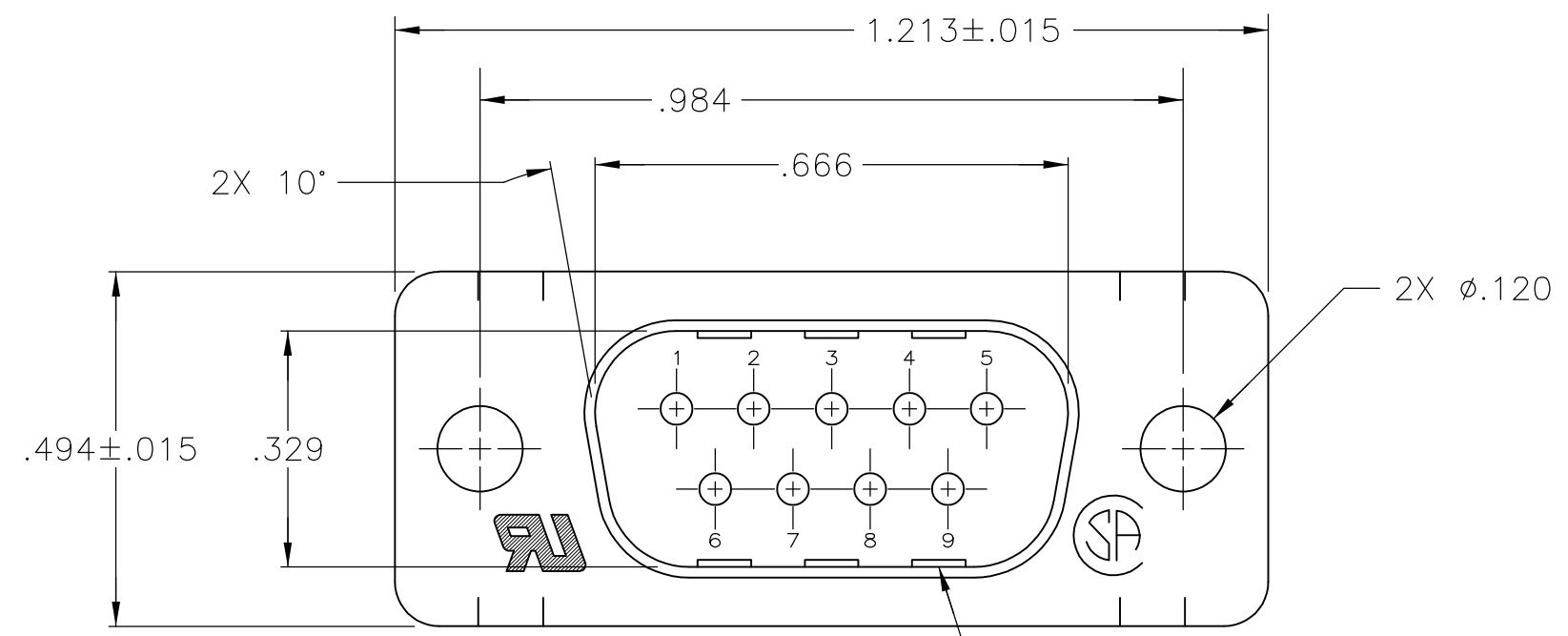
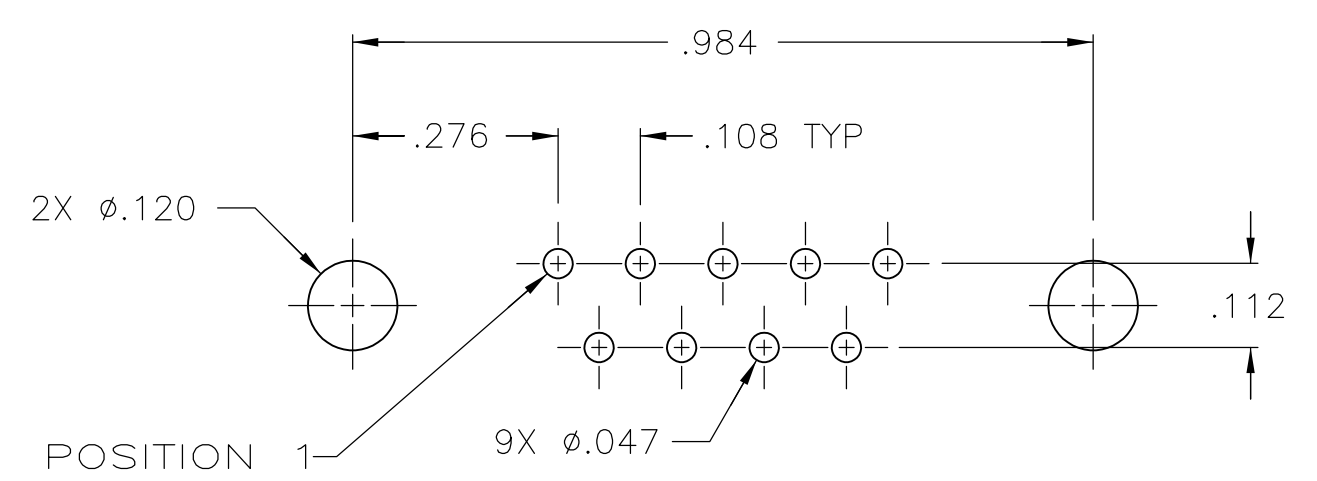
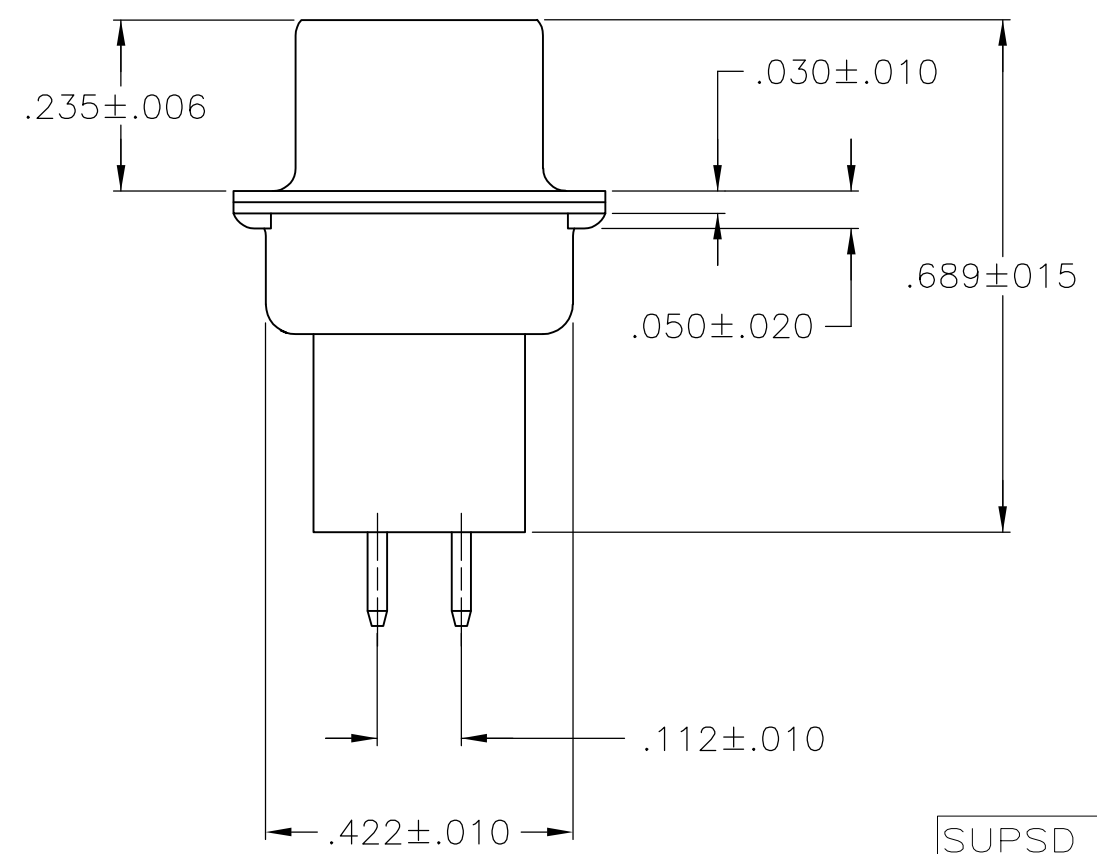
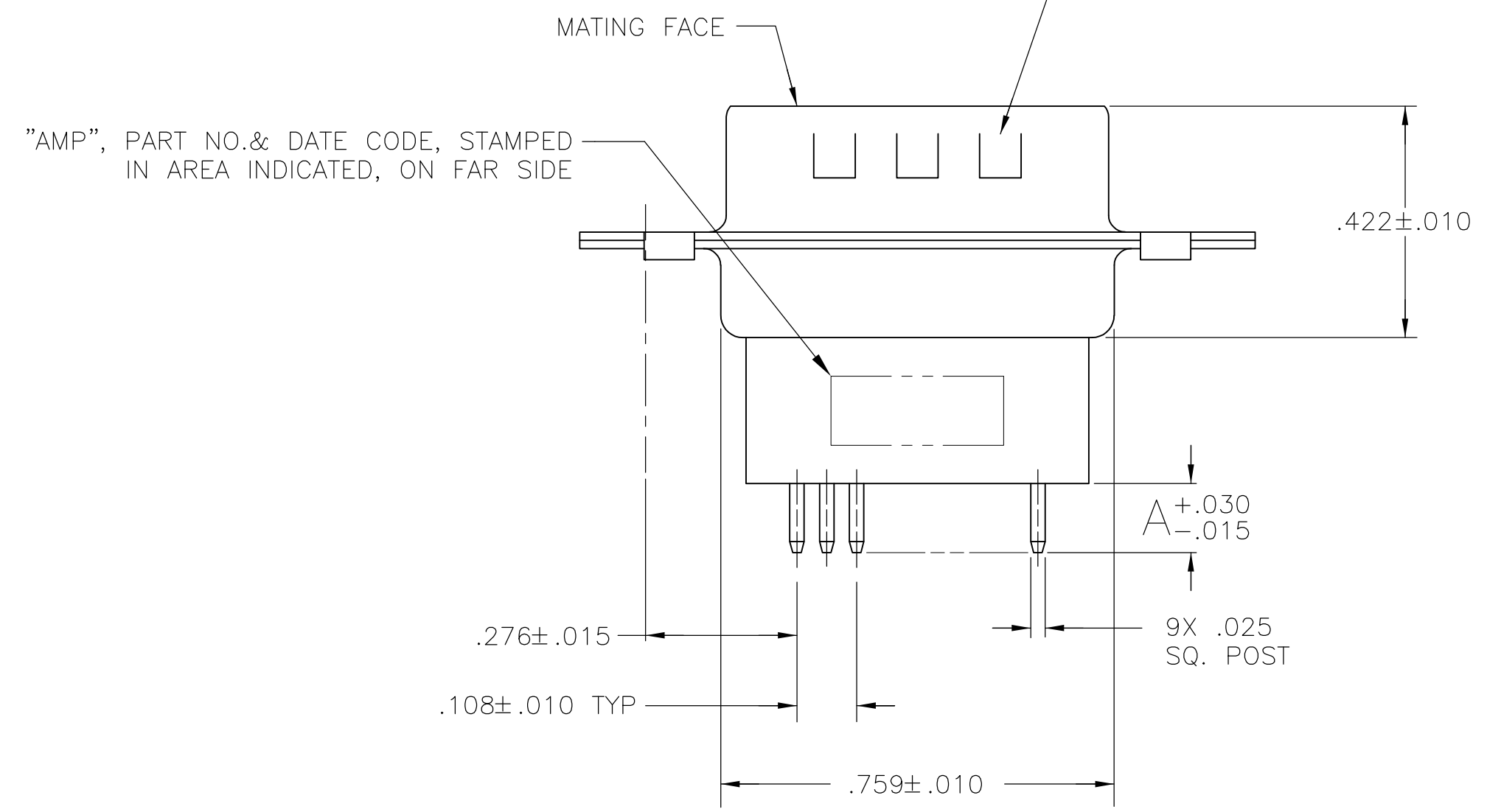


THIS DRAWING IS UNPUBLISHED. RELEASED FOR PUBLICATION
 © COPYRIGHT BY TYCO ELECTRONICS CORPORATION. ALL RIGHTS RESERVED.

LOC	DIST	REVISIONS			
P	LTR	DESCRIPTION	DATE	DWN	APVD
GP	00	REVISED PER ECO-10-000073	18FEB2010	CJV	SB



- 1. NOTE DELETED.
- 2. MOLDED PARTS: FLAME RETARDANT 94V-0 RATED THERMOPLASTIC; COLOR, BLACK
CONTACT: BRASS
SHELLS: STEEL
- 3. GOLD FLASH ON MATING END, .000100 MIN TIN-LEAD ON SOLDER END, ALL OVER .000050 MIN NICKEL.
- 4. GOLD PLATED FOR A LENGTH OF .150 FROM MATING END, .000030 MIN GOLD IN MATED AREA, .000100 MIN TIN-LEAD ON OPPOSITE END, ALL OVER .000050 MIN NICKEL.
-OR-
GOLD FLASH OVER PALLADIUM-NICKEL PLATED FOR LENGTH OF .150 MIN FROM MATING END, .000030 MIN TOTAL IN MATED AREA, .000100 MIN TIN-LEAD ON OPPOSITE END, BOTH OVER .000050 MIN NICKEL.
- 5. .000200 MIN TIN OVER .000100 MIN COPPER.



P.C. BOARD MOUNTING DIMENSIONS

SUPSD BY	CONTACT FINISH	DIMENSION A	PART NUMBER
SUPSD BY 745410-1	4	.332	745410-9
SUPSD BY 745410-7	3	.188	745410-8
	4	.188	745410-7
	3	.651	745410-6
SUPSD BY 745410-1	4	.651	745410-5
	3	.427	745410-4
SUPSD BY 745410-1	4	.427	745410-3
SUPSD BY 745410-1	3	.125	745410-2
	4	.125	745410-1

THIS DRAWING IS A CONTROLLED DOCUMENT.		DWN J. GERACE 10-25-83	Tyco Electronics Corporation Harrisburg, PA 17105-3608	
DIMENSIONS: INCHES		CHK J. GERACE 10-25-83	NAME	
TOLERANCES UNLESS OTHERWISE SPECIFIED:		APVD B. TAYLOR 1-04-84	PRODUCT SPEC	
0 PLC ± -		108-40025		
1 PLC ± -		APPLICATION SPEC		
2 PLC ± -		114-40013		
3 PLC ± .005		WEIGHT -		
4 PLC ± -		SIZE A2		
ANGLES ± 2°		CAGE CODE 00779		
FINISH		DRAWING NO C=745410		
SHELLS: 5		RESTRICTED TO -		
CONTACTS: SEE TABLE		SCALE NTS SHEET 1 of 1 REV L		

Mouser Electronics

Authorized Distributor

Click to View Pricing, Inventory, Delivery & Lifecycle Information:

[TE Connectivity:](#)

[745410-7](#)