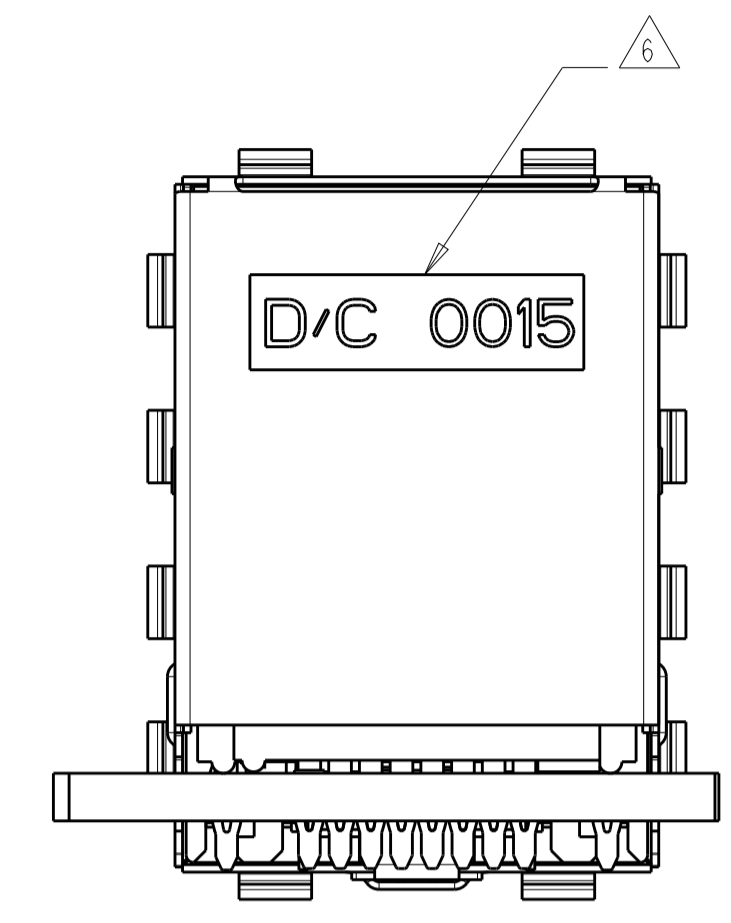
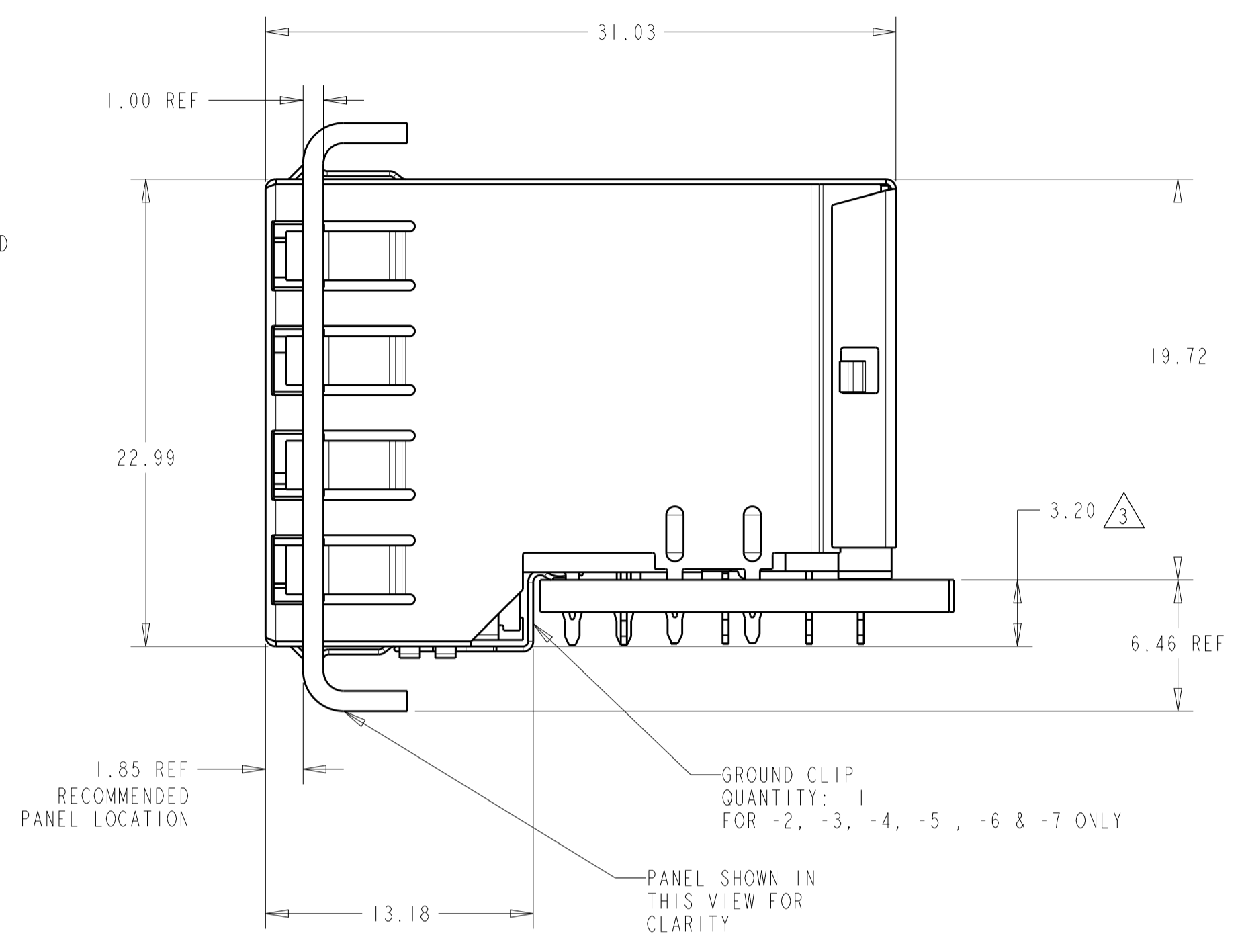
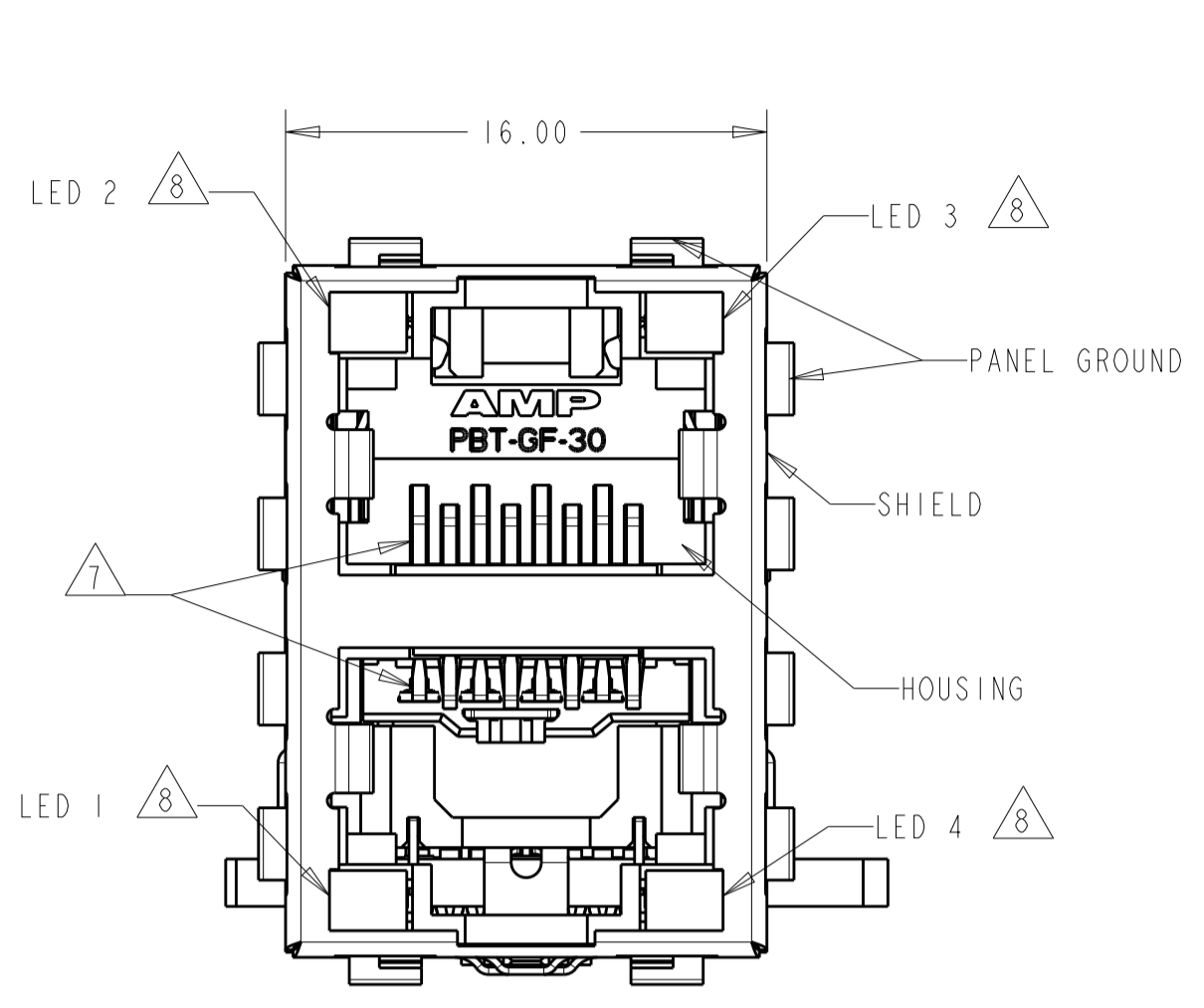
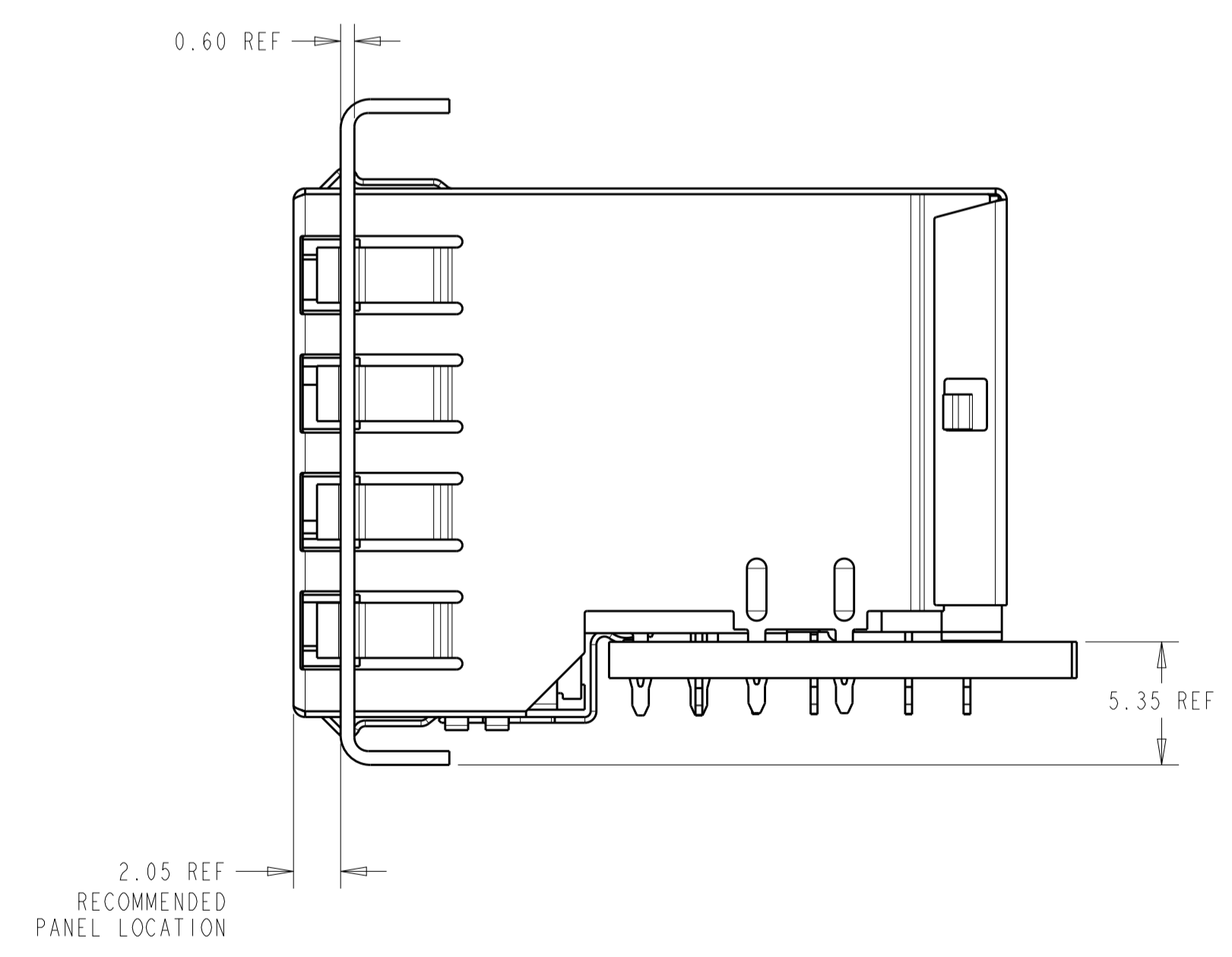


| LOC |     | DIST          |           | REVISIONS |      |  |  |
|-----|-----|---------------|-----------|-----------|------|--|--|
| P   | LTN | DESCRIPTION   | DATE      | DWN       | APVD |  |  |
| G   |     | ECO-15-006810 | 22JAN2016 | LL        | SH   |  |  |
| H   |     | ECO-16-010145 | 11JUL2016 | LL        | SH   |  |  |
| J   |     | ECO-16-011047 | 25JUL2016 | LL        | SH   |  |  |
| K   |     | ECO-17-011372 | 04AUG2017 | LL        | SH   |  |  |

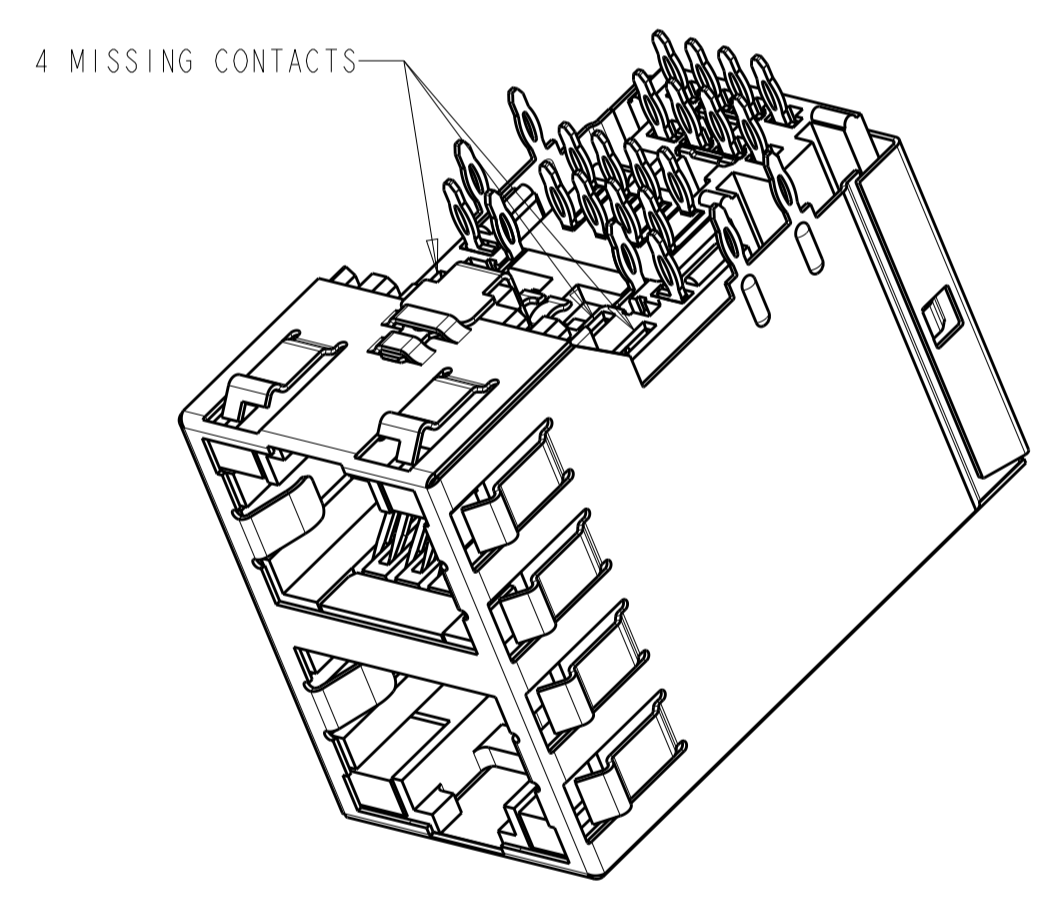


- MATERIAL:
  - HOUSING: PBT POLYESTER, BLACK, UL 94V-0.
  - TERMINALS: 0.33 THICK PHOSPHOR BRONZE PLATED WITH 1.27um MINIMUM THICK HARD GOLD IN LOCALIZED AREA AND 2.0um MINIMUM THICK MATTE TIN IN ACTION PIN COMPLIANT PIN TERMINAL AREA OVER 1.27um MINIMUM THICK NICKEL UNDERPLATE.
  - SHIELD: 0.25 THICK COPPER ALLOY PLATED WITH 2.03um MINIMUM TIN OVER 1.27 um MINIMUM NICKEL
  - GROUNDING CLIP: 0.25 THICK COPPER ALLOY PRE-PLATED WITH 2.03um MINIMUM MATTE TIN OVER 1.27um MINIMUM NICKEL
  - LIGHT EMITTING DIODE (LED): DIFFUSED EPOXY LENS, 12.95 CARBON STEEL WIREFRAME LEADS PREPLATED WITH 8.89um THK. TIN/COPPER OVER 2.03um THK. SILVER OVER 1.02um COPPER OVER 3.56um THK. NICKEL OVER 1.02um THK. COPPER UNDERPLATE
  - LED ACTION PIN - COMPLIANT PIN CONTACTS: 0.3 THICK BRASS PLATED WITH 2um MINIMUM MATTE TIN OVER 1.27um MINIMUM NICKEL UNDERPLATE.
- JACK CAVITY CONFORMS TO FCC RULES AND REGULATIONS, PART 68 SUBPART F.
  - MAXIMUM PIN LENGTH 3.40 FROM TOP SURFACE OF PC BOARD.
  - FINISHED PLATED THRU HOLE DIAMETER - ANNULAR RING DIAMETER 1.3 TO 1.5
  - DATUMS AND BASIC DIMENSIONS ESTABLISHED BY CUSTOMER
  - DATE CODE LOCATED ON REAR OF PART APPROXIMATELY AS SHOWN
  - CONTACTS ARE NOT INTENDED TO BE ALIGNED WITH EACH OTHER
  - SUGGESTED OPERATING CURRENT FOR LEDS IS 20 mA
  - PCB THROUGH HOLES FOR LED #1 AND LED #4 ARE NOT REQUIRED FOR 1888653-5,6,1-1888653-1.
  - THE PN 1-1888653-1 LED DOMINANT WAVELENGTH: GREEN 525nm TYP. YELLOW 590nm TYP.

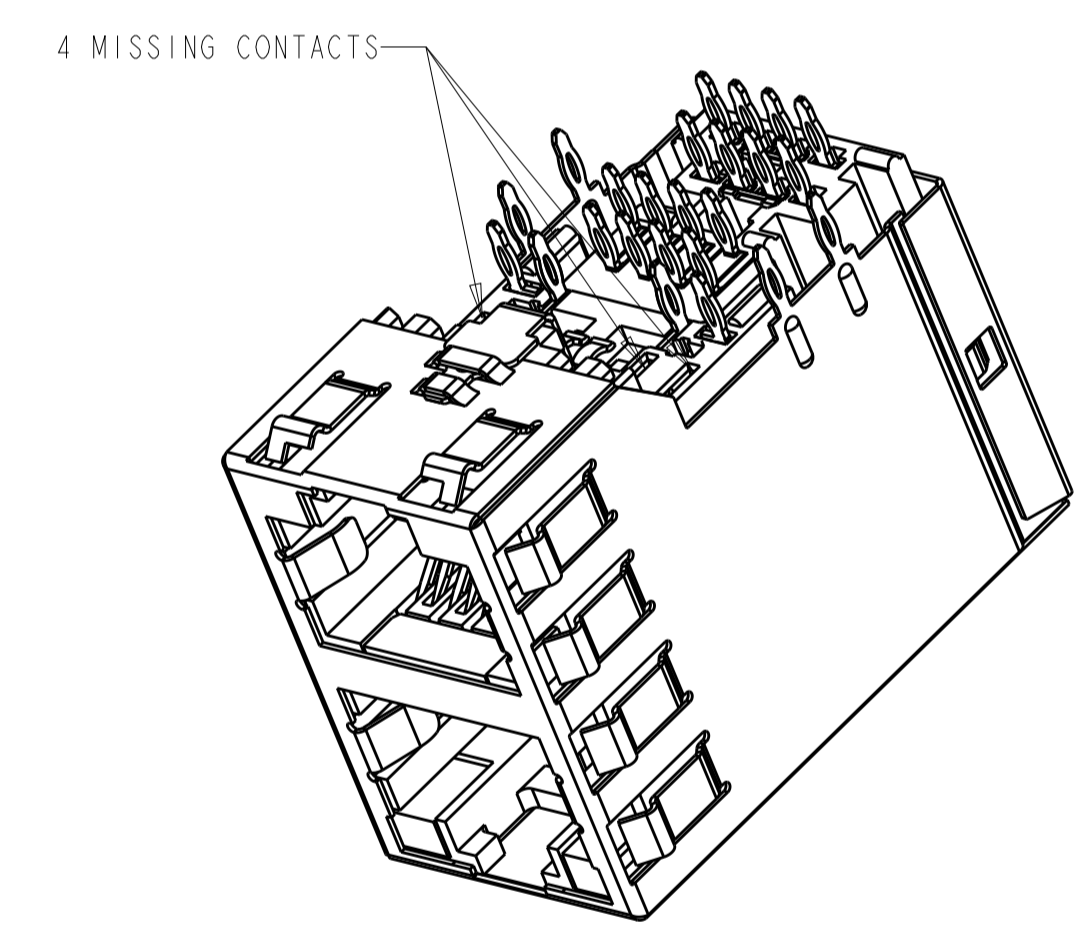
**ATCA PANEL AND PRINTED CIRCUIT BOARD ASSEMBLY LAYOUT**



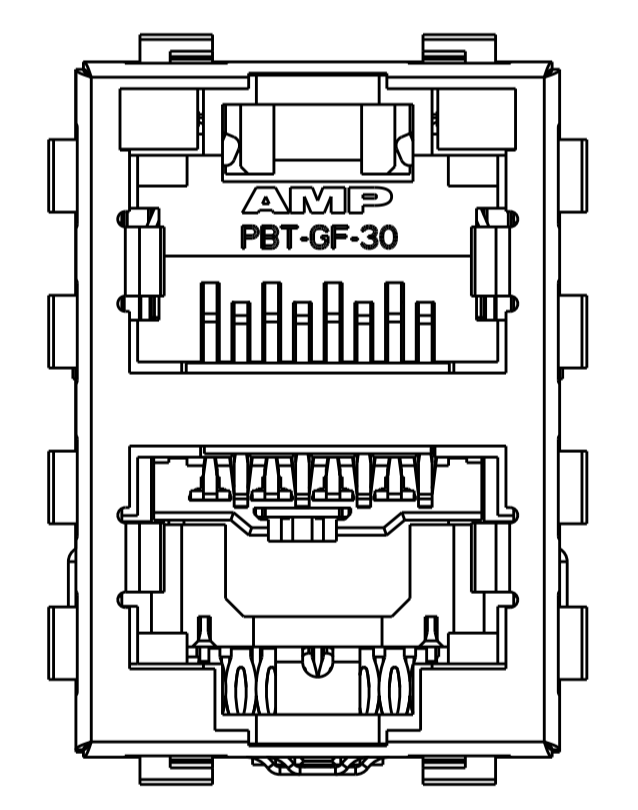
**AMC PANEL AND PRINTED CIRCUIT BOARD ASSEMBLY LAYOUT**



**1888653-5,-6**  
 (REPRESENTATION OF -5,-6 SHOWN IN THIS VIEW ONLY)



**1-1888653-1**  
 SCALE 3:1



**1-1888653-1**  
 SCALE 4:1

|       |                      |                      |                     |                     |                     |                   |
|-------|----------------------|----------------------|---------------------|---------------------|---------------------|-------------------|
| 15.88 | NONE                 | GREEN/YELLOW         | GREEN/YELLOW        | NONE                | WITH GROUND CLIP    | 1-1888653-1       |
| 15.88 | NONE                 | GREEN                | YELLOW              | NONE                | WITH GROUND CLIP    | 1888653-9         |
| 15.88 | YELLOW               | GREEN                | GREEN               | GREEN               | WITH GROUND CLIP    | 1888653-7         |
| 15.88 | NONE                 | GREEN                | GREEN               | NONE                | WITH GROUND CLIP    | 1888653-6         |
| 15.88 | NONE                 | YELLOW               | GREEN               | NONE                | WITH GROUND CLIP    | 1888653-5         |
| 15.88 | YELLOW               | YELLOW               | GREEN               | GREEN               | WITH GROUND CLIP    | 1888653-4         |
| 15.88 | GREEN                | GREEN                | YELLOW              | YELLOW              | WITH GROUND CLIP    | 1888653-3 (SHOWN) |
| 15.88 | GREEN                | GREEN                | GREEN               | GREEN               | WITH GROUND CLIP    | 1888653-2         |
| 16.13 | GREEN                | GREEN                | GREEN               | GREEN               | WITHOUT GROUND CLIP | 1888653-1         |
| M DIM | LED #4 (LOWER-RIGHT) | LED #3 (UPPER-RIGHT) | LED #2 (UPPER-LEFT) | LED #1 (LOWER-LEFT) | DESCRIPTION         | PART NUMBER       |

THIS DRAWING IS A CONTROLLED DOCUMENT.

DIMENSIONS: mm

TOLERANCES UNLESS OTHERWISE SPECIFIED:

|        |       |
|--------|-------|
| 0 PLC  | ±     |
| 1 PLC  | ±0.13 |
| 2 PLC  | ±     |
| 3 PLC  | ±     |
| 4 PLC  | ±     |
| ANGLES | ±1°   |

MATERIAL: SEE NOTE 1

FINISH:

THIS DRAWING IS A CONTROLLED DOCUMENT.

DWN: L.A.MAYER 19OCT2006

CHK: J.WESTMAN 19OCT2006

APVD: S.FLICKINGER 19OCT2006

NAME: STACKED MOD JACK ASSEMBLY, 2 X 1, 8 POSN, RJ45, SHIELDED, PANEL GROUND, OFFSET, CAT 5e

PRODUCT SPEC: 108-1854

APPLICATION SPEC: 114-2160

SIZE: A1

CAGE CODE: 00779

DRAWING NO: 1888653

RESTRICTED TO: K

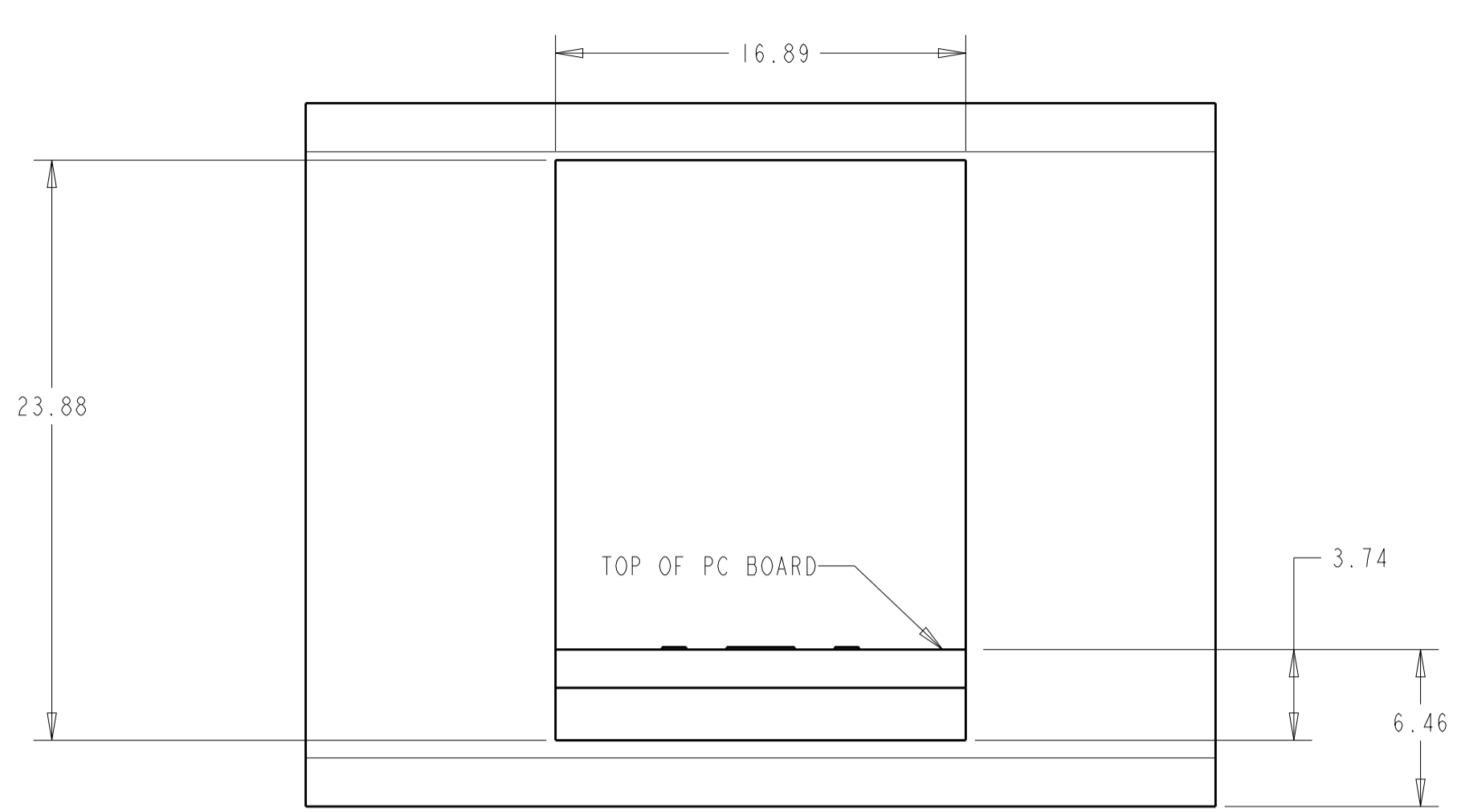
CUSTOMER DRAWING

SCALE: 4:1

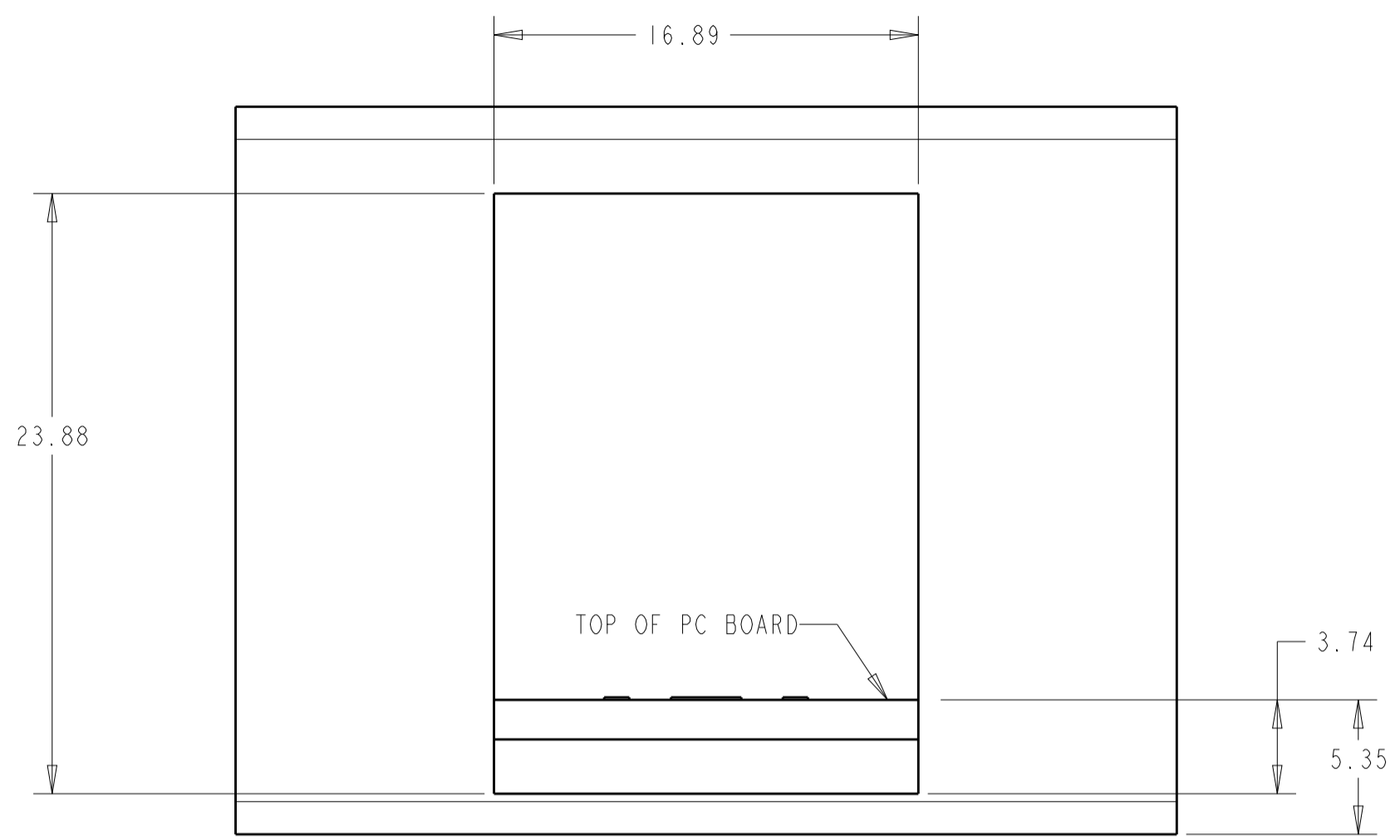
SHEET: 1 OF 2

REV: K

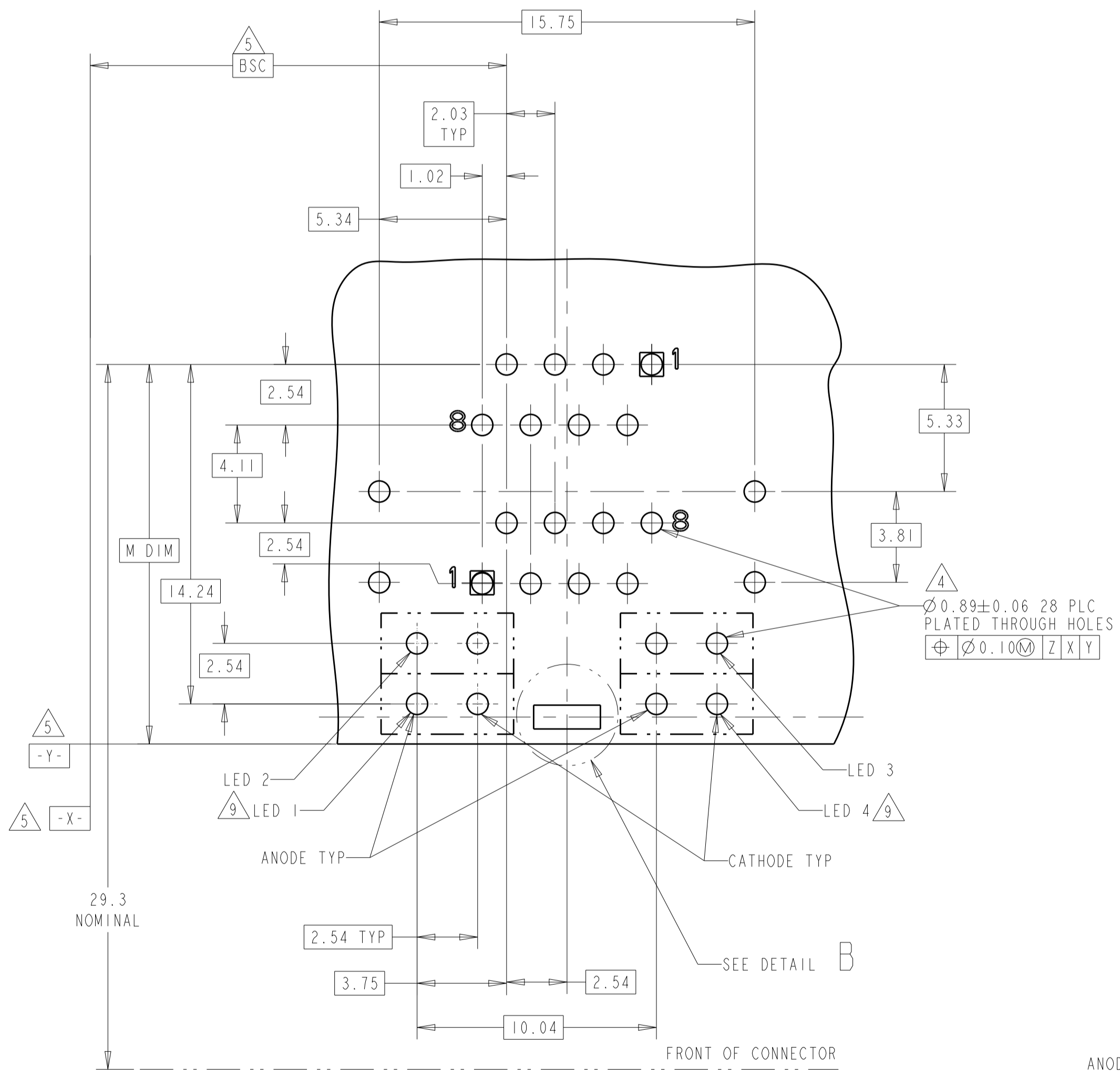
| LOC |    | DIST |     | REVISIONS   |      |     |      |
|-----|----|------|-----|-------------|------|-----|------|
| AA  | 00 | P    | LTN | DESCRIPTION | DATE | DWN | APVD |
|     |    |      |     | SEE SHEET 1 |      |     |      |



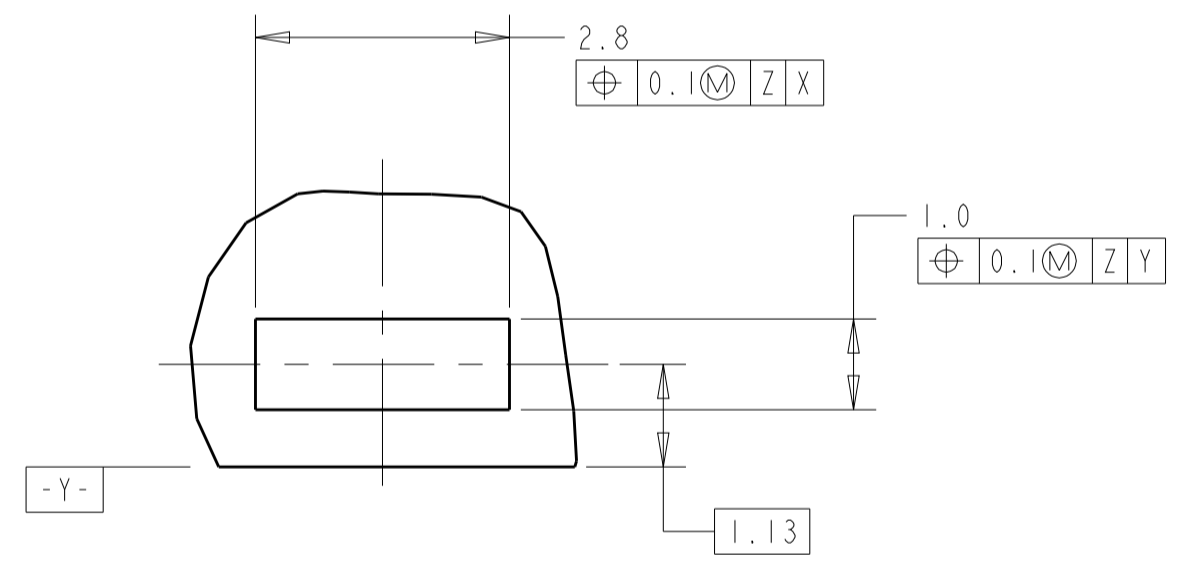
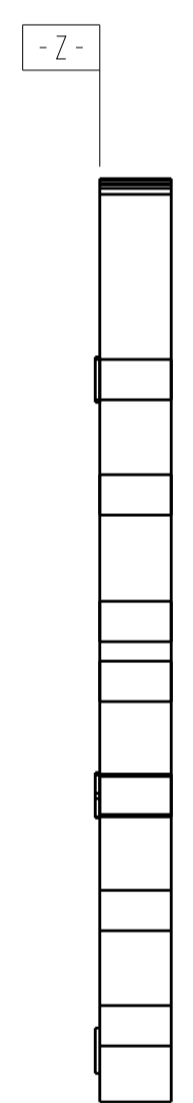
ATCA PANEL AND PRINTED CIRCUIT BOARD LAYOUT



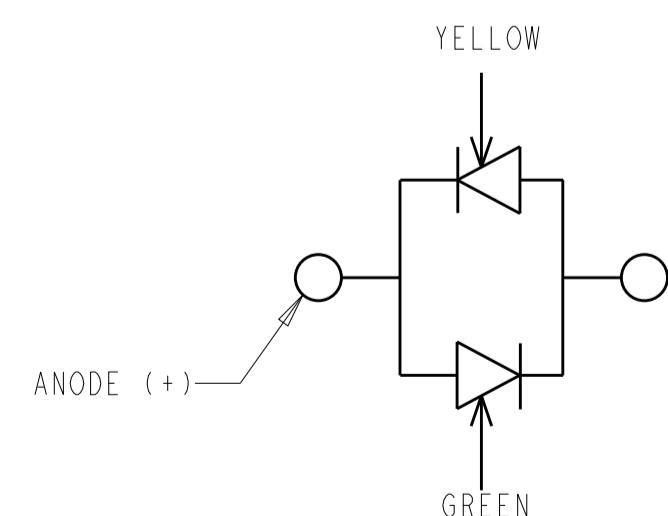
AMC PANEL AND PRINTED CIRCUIT BOARD LAYOUT



PC BOARD LAYOUT (COMPONENT SIDE)



DETAIL B  
 SCALE 12:1  
 PLATED PADS REQUIRED FOR 1888653 -2, 3, -4, -5, -6 & -7 (PRODUCT WITH GROUNDING CLIPS)



LED CURRENT DIAGRAM FOR 1-1888653-1

|  |             |                             |  |
|--|-------------|-----------------------------|--|
| THIS DRAWING IS A CONTROLLED DOCUMENT. |             | DWN L.A.MAYER 19OCT2006     | TE Connectivity  |
| DIMENSIONS: mm                         |             | CHK J.WESTMAN 19OCT2006     |  |
| TOLERANCES UNLESS OTHERWISE SPECIFIED: |             | APVD S.FLICKINGER 19OCT2006 | NAME   |
| 0 PLC ±                                | 1 PLC ±0.13 | PRODUCT SPEC                | STACKED MOD JACK ASSEMBLY, 2 X 1, 8 POSN, RJ45, SHIELDED, PANEL GROUND, OFFSET, CAT 5e |
| 2 PLC ±                                | 3 PLC ±     | APPLICATION SPEC            | SIZE   |
| 4 PLC ±                                | ANGLES ±1°  | WEIGHT                      | A1   |
| MATERIAL SEE NOTE 1                    | FINISH      | CAGE CODE DRAWING NO        | 00779 C=1888653  |
| CUSTOMER DRAWING                       |             | SCALE                       | 6:1  |
|  |             | SHEET                       | 2 OF 2   |
|  |             | REV                         | K  |

# Mouser Electronics

Authorized Distributor

Click to View Pricing, Inventory, Delivery & Lifecycle Information:

[TE Connectivity:](#)

[1888653-5](#)