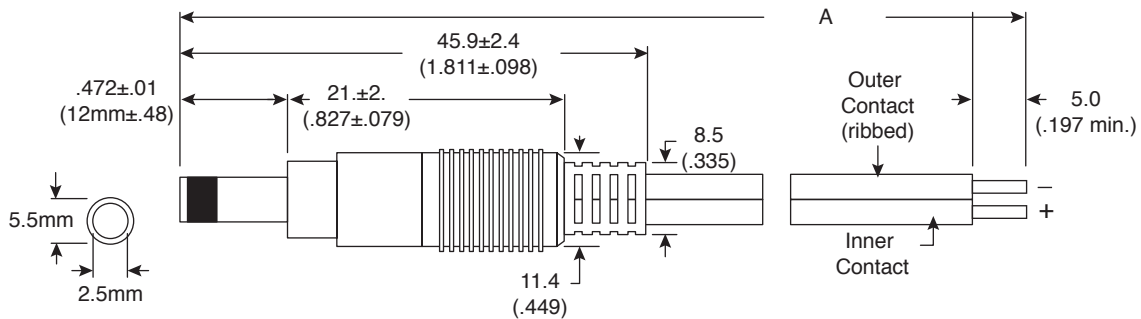
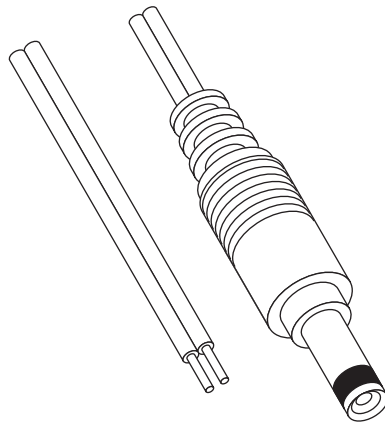


# Cable Assembly

172-4201, 172-4215



Cable Assembly



**DIMENSIONS: mm (in.)**  
Except where noted

SPECIFICATIONS	
Type:	DC power, 18AWG 2C SPT-1
PVC jacket:	OD = (.10" x .22") 2.5 x 5.5
Voltage:	300V
Temperature:	60°C
Current rating:	10A
ID & OD tolerance:	± .002

A	Length
172-4201	72"
172-4215	180"

Date Last Revised: 4-5-07

Available from Mouser Electronics  
1-800-346-6873 / [www.mouser.com](http://www.mouser.com)

KC-300331

Specifications are subject to change without notice. No liability or warranty implied by this information. Environmental compliance based on producer documentation.

172-4201, 172-4215

# Mouser Electronics

Authorized Distributor

Click to View Pricing, Inventory, Delivery & Lifecycle Information:

[Kobiconn:](#)

[172-4201](#) [172-4215](#)