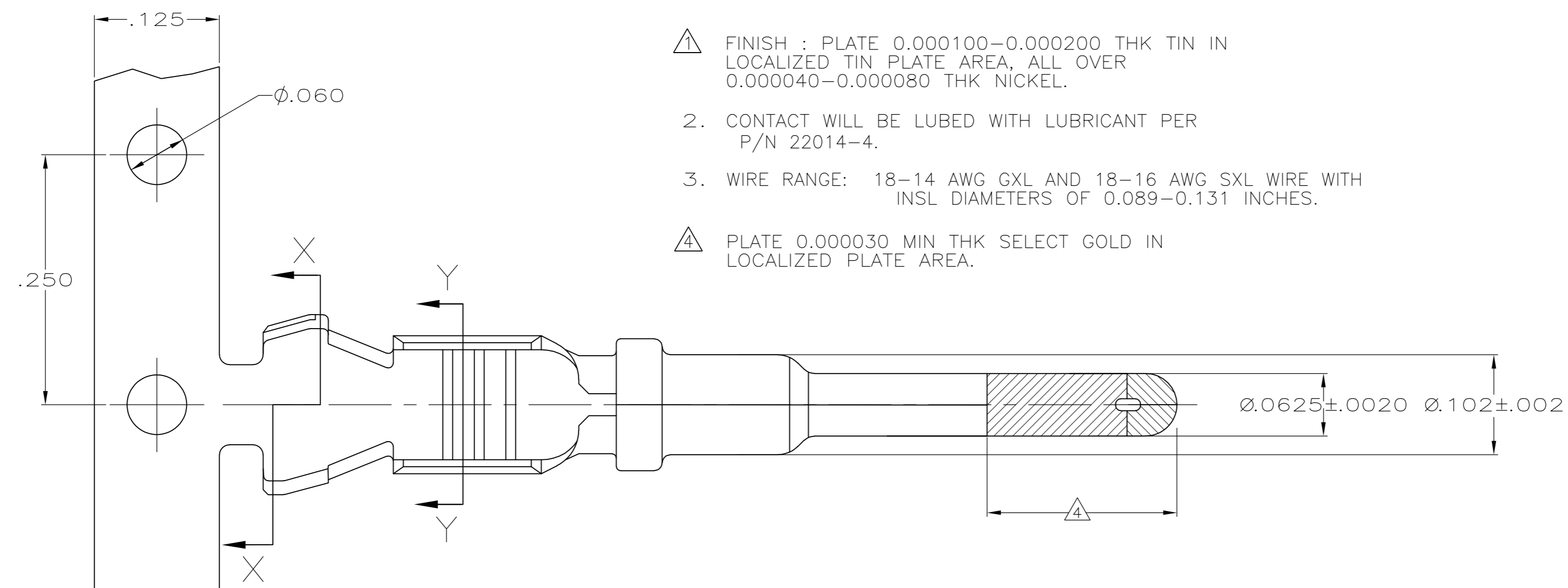
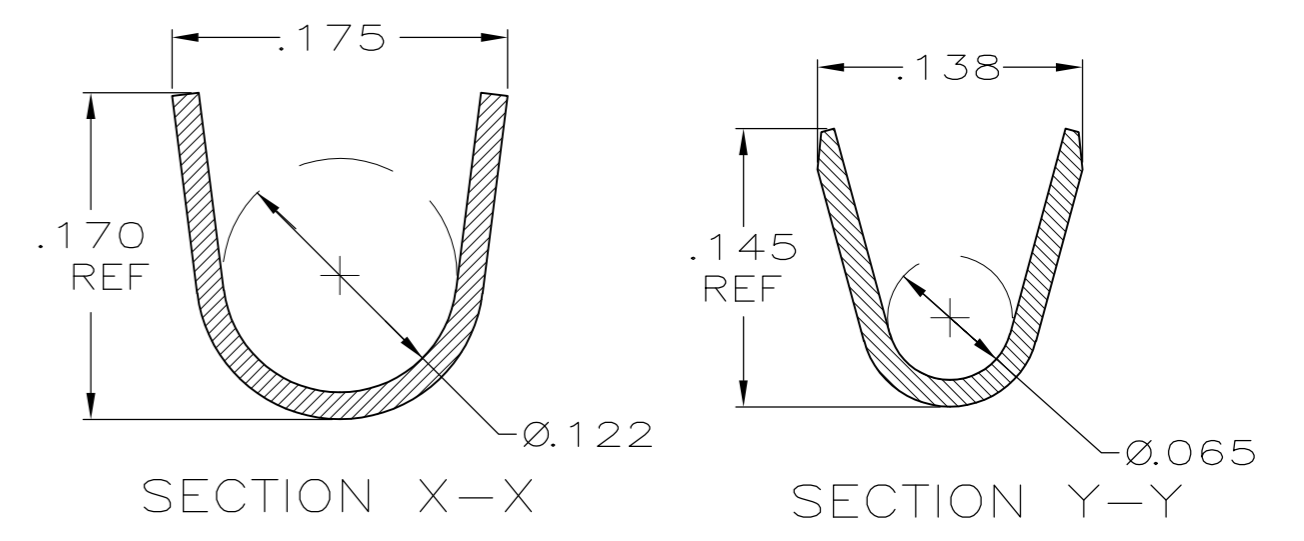
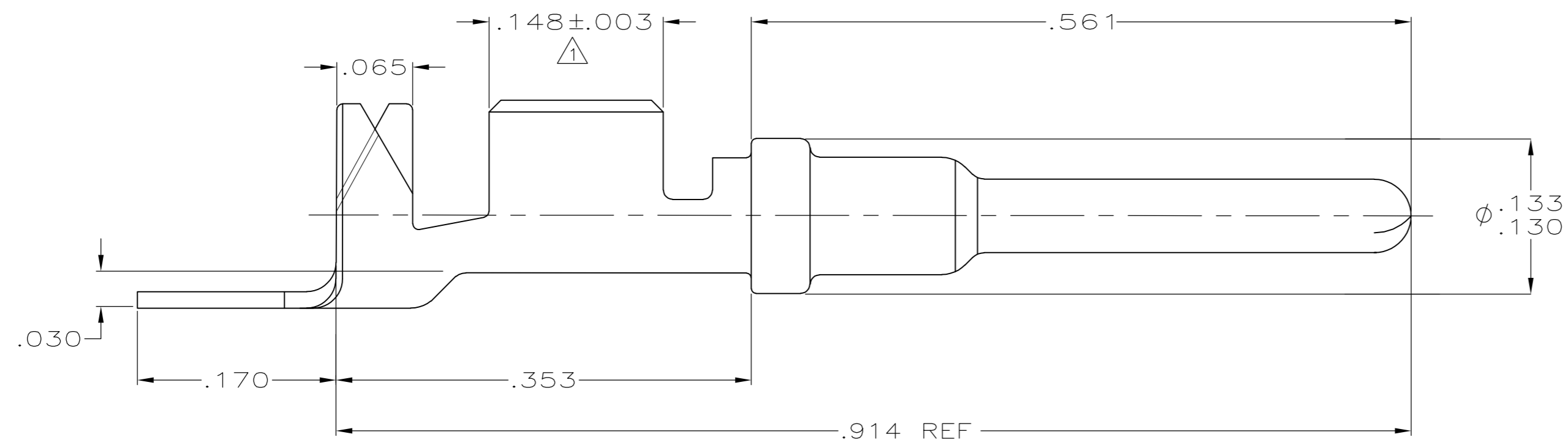


THIS DRAWING IS UNPUBLISHED. RELEASED FOR PUBLICATION
 © COPYRIGHT - By - ALL RIGHTS RESERVED.

| LOC | DIST | REVISIONS | | | | | |
|-----|------|-----------|-----|---------------------------|---------|-----|------|
| GE | 33 | P | LTR | DESCRIPTION | DATE | DWN | APVD |
| | | E2 | | REVISED PER ECO-11-005030 | 11MAR11 | RK | HMR |



- 1. FINISH : PLATE 0.000100-0.000200 THK TIN IN LOCALIZED TIN PLATE AREA, ALL OVER
0.000040-0.000080 THK NICKEL.
- 2. CONTACT WILL BE LUBED WITH LUBRICANT PER P/N 22014-4.
- 3. WIRE RANGE: 18-14 AWG GXL AND 18-16 AWG SXL WIRE WITH INSL DIAMETERS OF 0.089-0.131 INCHES.
- 4. PLATE 0.000030 MIN THK SELECT GOLD IN LOCALIZED PLATE AREA.



| | |
|-----|----------|
| 1 | 638078-3 |
| 1 4 | 638078-1 |

| | | | | | |
|--|--|------------------|-----------|----------------------|---------------------|
| THIS DRAWING IS A CONTROLLED DOCUMENT. | | DWN | P. YEAGER | 6-13-97 | TE Connectivity |
| DIMENSIONS: INCHES | | CHK | W LONG | 6-13-97 | |
| TOLERANCES UNLESS OTHERWISE SPECIFIED: | | APVD | W LONG | 6-13-97 | |
| 0 PLC ± - 1 PLC ± - 2 PLC ± .02 3 PLC ± .005 4 PLC ± - ANGLES ± - | | PRODUCT SPEC | NAME | | |
| MATERIAL: 0.014 TK CU ALLOY | | FINISH | - | | PRODUCT SPEC |
| | | WEIGHT | - | | APPLICATION SPEC |
| | | CUSTOMER DRAWING | | SCALE: 10:1 | SHEET: 1 OF 1 |
| | | | | SIZE: A2 | CAGE CODE: 00779 |
| | | | | DRAWING NO: C=638078 | |
| | | | | RESTRICTED TO: - | |
| | | | | REV: E2 | |

Mouser Electronics

Authorized Distributor

Click to View Pricing, Inventory, Delivery & Lifecycle Information:

[TE Connectivity:](#)

[638078-3](#)