

4

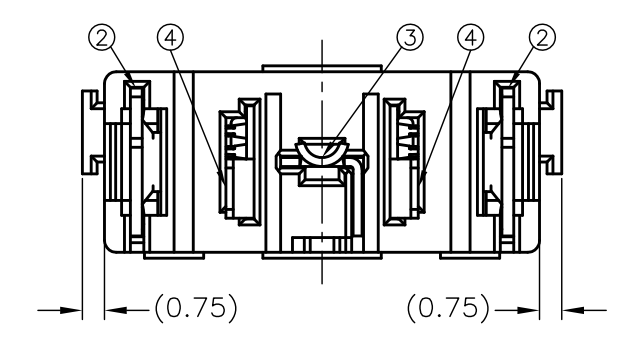
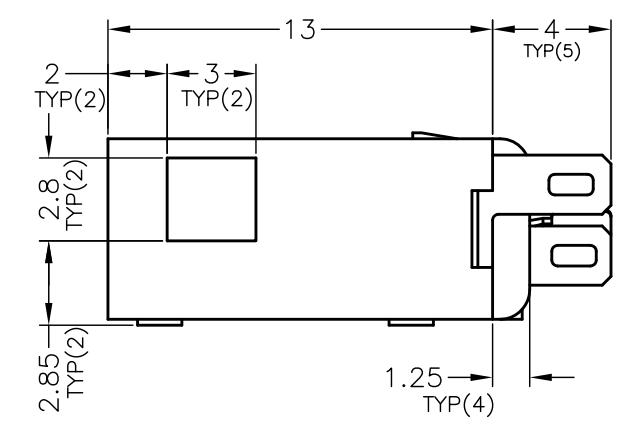
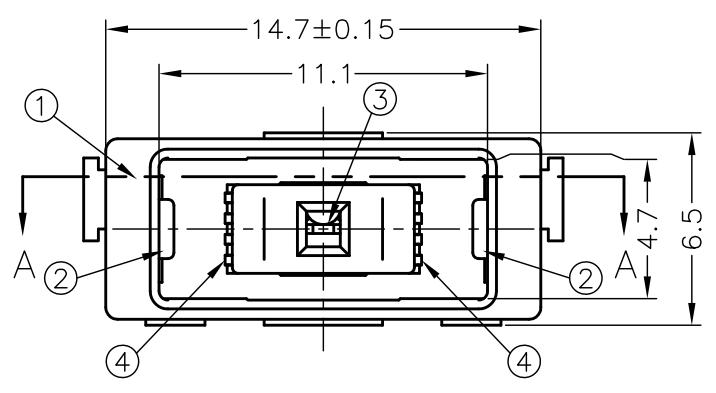
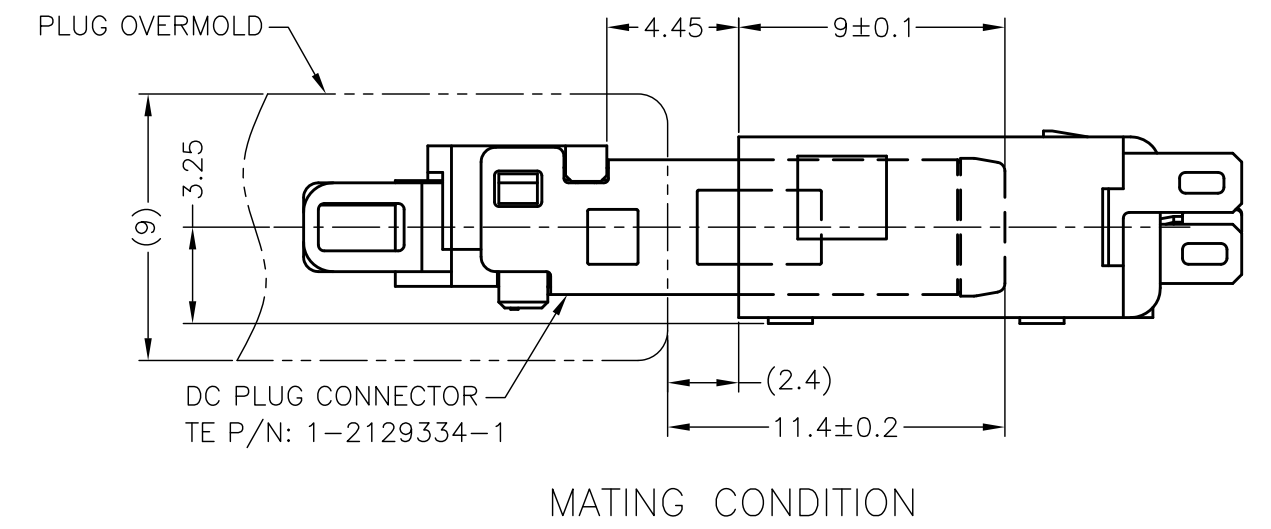
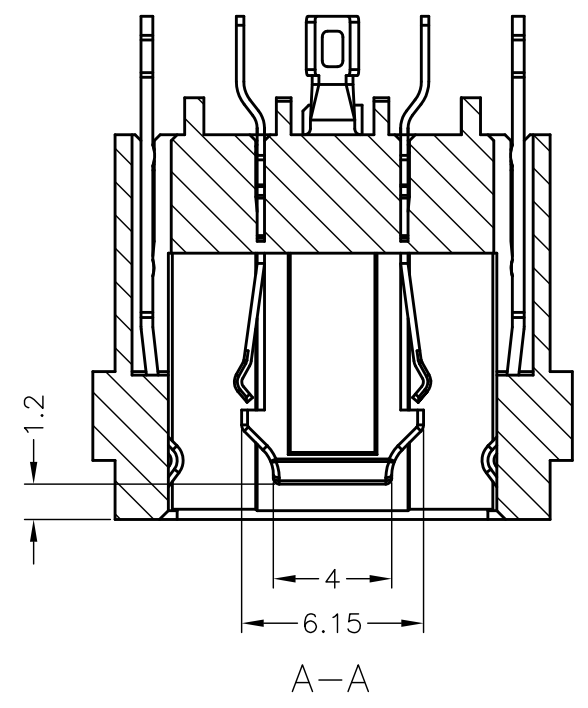
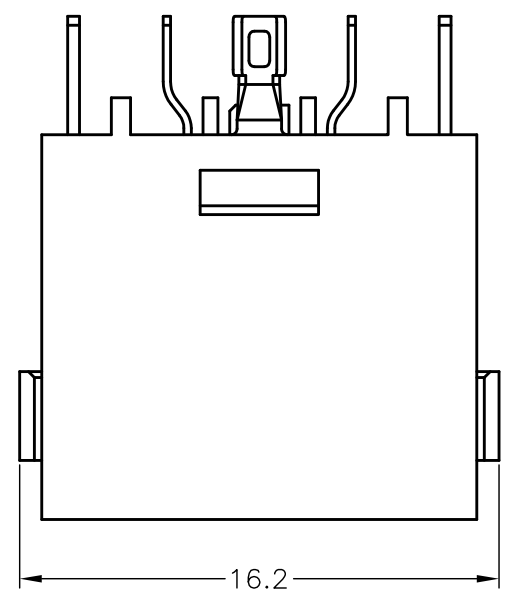
3

2

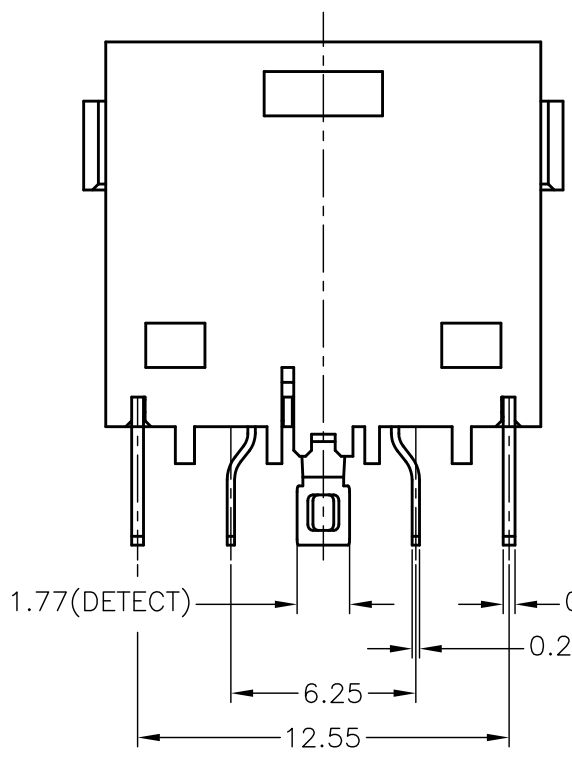
1

THIS DRAWING IS UNPUBLISHED. RELEASED FOR PUBLICATION
 © COPYRIGHT - By - ALL RIGHTS RESERVED.

LOC	DIST	REVISIONS			
P	LTR	DESCRIPTION	DATE	DWN	APVD
DW		B4	REVISED (ECR-13-009702)	14MAR13	S.H V.P



A'SSY	P/N	Q'TY	FINISH/COLOR	MATERIAL	PART NAME	NO.
1-2129333-2	2129333-2	2	0.0002mm GOLD PLATING ON CONTACT AREA, 0.002mm MATTE TIN PLATING ON SOLDER AREA, 0.002mm MIN. NICKEL UNDERPLATED ALL OVER	COPPER ALLOY	POWER CONTACT	④
1-2129333-1	2129333-1	1	0.0002mm GOLD PLATING ON CONTACT AREA, 0.002mm MATTE TIN PLATING ON SOLDER AREA, 0.002mm MIN. NICKEL UNDERPLATED ALL OVER	COPPER ALLOY	DETECT CONTACT	③
2-2129333-2	2129333-2	2	0.0002mm GOLD PLATING ON CONTACT AREA, 0.002mm MATTE TIN PLATING ON SOLDER AREA, 0.002mm MIN. NICKEL UNDERPLATED ALL OVER	COPPER ALLOY	GROUND CONTACT	②
1-2129333-1	2129333-1	1	BLACK	HIGH TEMPERATURE THERMO-PLASTIC (UL94V-0)	HOUSING	①
1-2129333-1	2129333-1	1	YELLOW		HOUSING	①



THIS DRAWING IS A CONTROLLED DOCUMENT.

DIMENSIONS: mm	TOLERANCES UNLESS OTHERWISE SPECIFIED:	DWN: S.HUANG 24FEB2012	TE Connectivity DC POWER JACK CONNECTOR CABLE TYPE
	0 PLC ± 1 PLC ± 2 PLC ± ±0.25 3 PLC ± ±3° 4 PLC ± ANGLES ±	CHK: V.PENG 24FEB2012	
		APVD: W.KODAMA 24FEB2012	
		PRODUCT SPEC: 108-99035	
MATERIAL: SEE TABLE	FINISH:	APPLICATION SPEC: 501-99040	NAME: DC POWER JACK CONNECTOR CABLE TYPE SIZE: A3 CAGE CODE: 00779 DRAWING NO: 2129333 RESTRICTED TO:
CUSTOMER DRAWING			SCALE: 4:1 SHEET: 1 OF 2 REV: B4

4

3

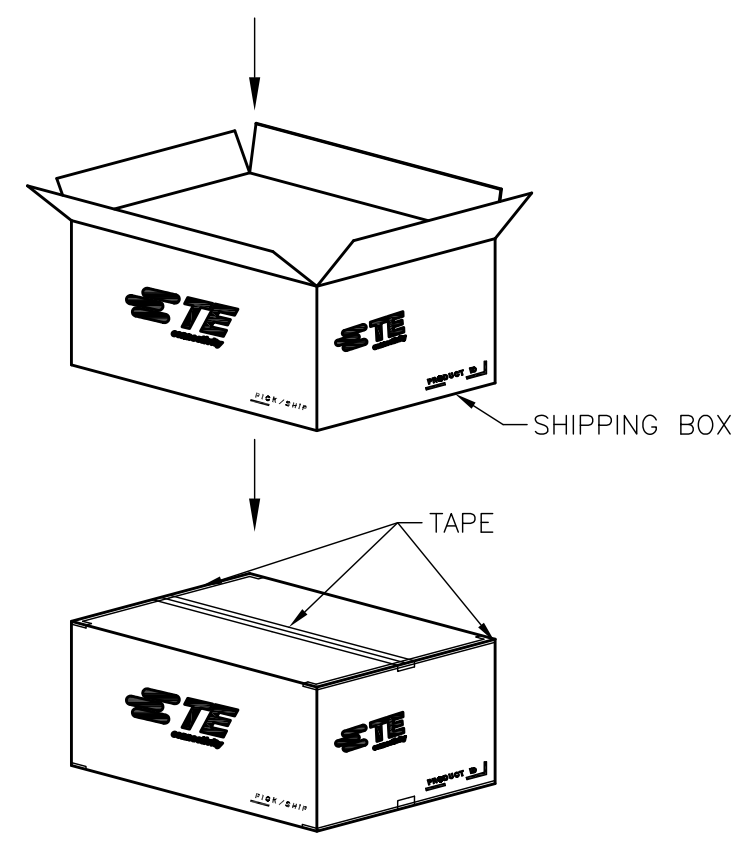
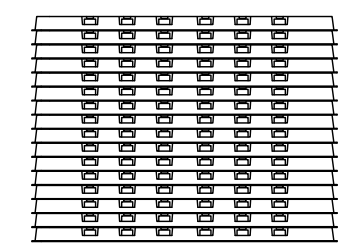
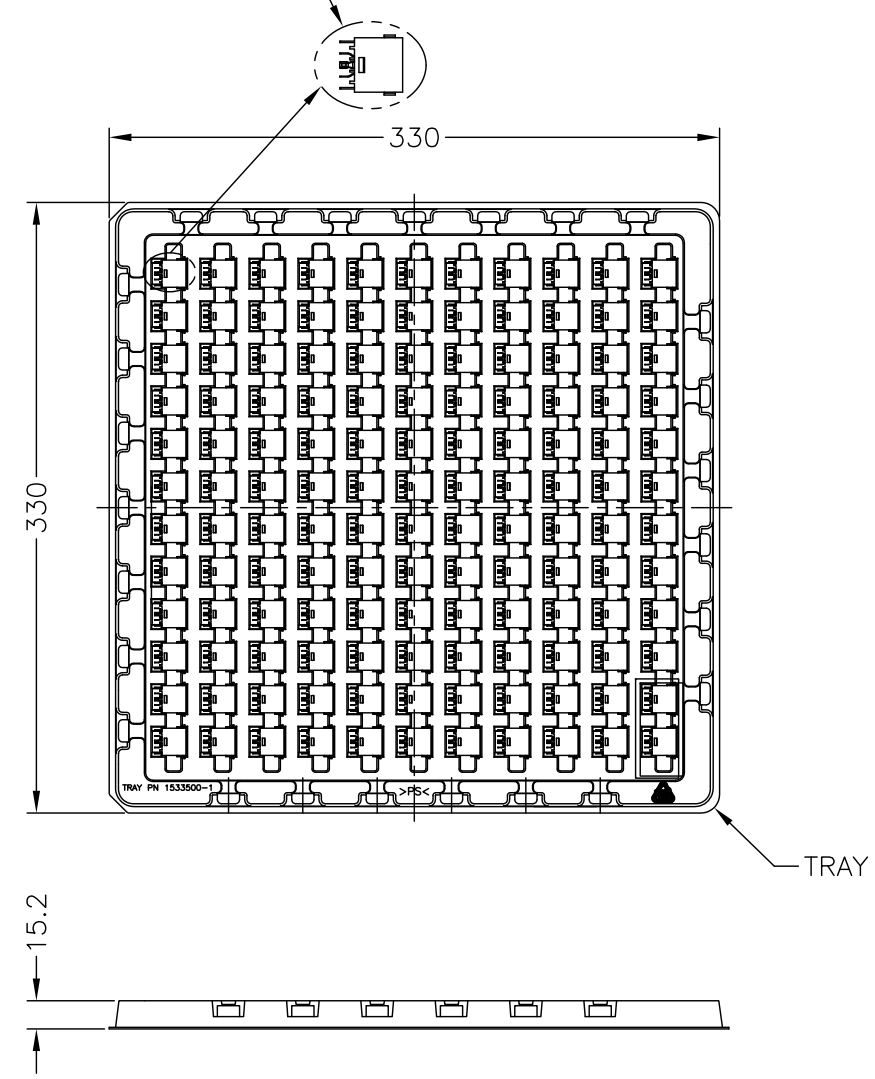
2

1

THIS DRAWING IS UNPUBLISHED. RELEASED FOR PUBLICATION
 © COPYRIGHT - By - ALL RIGHTS RESERVED.

LOC	DIST	REVISIONS				
P	LTR	DESCRIPTION	DATE	DWN	APVD	
DW	/	SEE SHEET 1	-	-	-	

DC POWER JACK CONNECTOR
 TE P/N: 1-2129333-1/-2



- EU ROHS-RELATED RESTRICTED SUBSTANCE SPEC IN HOMOGENEOUS MATERIAL REFER TO TEC-138-702 REV.G:
 LEAD < 1000PPM, CADMIUM < 100PPM, MERCURY < 1000PPM
 CHROMIUM VI < 1000PPM, PBB <1000PPM, PBDE < 1000PPM
- HALOGEN FREE SPEC:
 CHLORINE (Cl): 900 ppm MAX.
 BROMINE (Br): 900 ppm MAX.
 CHLORINE (Cl) + BROMINE (Br): 1500 ppm MAX.
- SHIPPING BOX DIMENSION: 445mmX445mmX270mm

132	25	3300
PCS/TRAY	TRAY/SHIPPING BOX	TOTAL Q'TY

THIS DRAWING IS A CONTROLLED DOCUMENT.		DWN -		TE Connectivity	
DIMENSIONS: mm		CHK -			
TOLERANCES UNLESS OTHERWISE SPECIFIED:		APVD -		NAME	
0-PLC ± - 1-PLC ± - 2-PLC ± - ±0.25 3-PLC ± - ±3° 4-PLC ± - ANGLES ± -		PRODUCT SPEC		DC POWER JACK CONNECTOR	
MATERIAL		APPLICATION SPEC		CABLE TYPE	
FINISH		WEIGHT		SIZE	
		CUSTOMER DRAWING		CAGE CODE	
				DRAWING NO	
				RESTRICTED TO	
				A3 00779	
				C-2129333	
				SCALE NA SHEET 2 OF 2 REV B4	

Mouser Electronics

Authorized Distributor

Click to View Pricing, Inventory, Delivery & Lifecycle Information:

[TE Connectivity:](#)

[1-2129333-2](#)