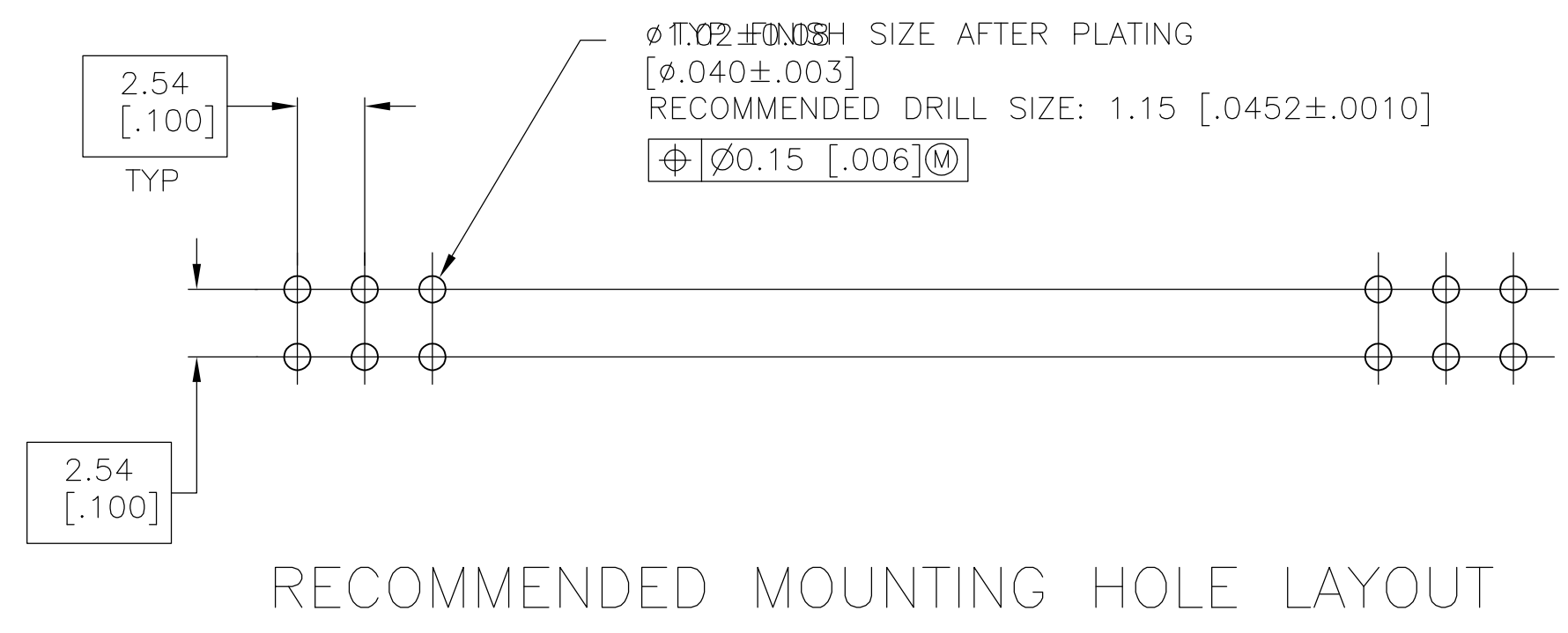
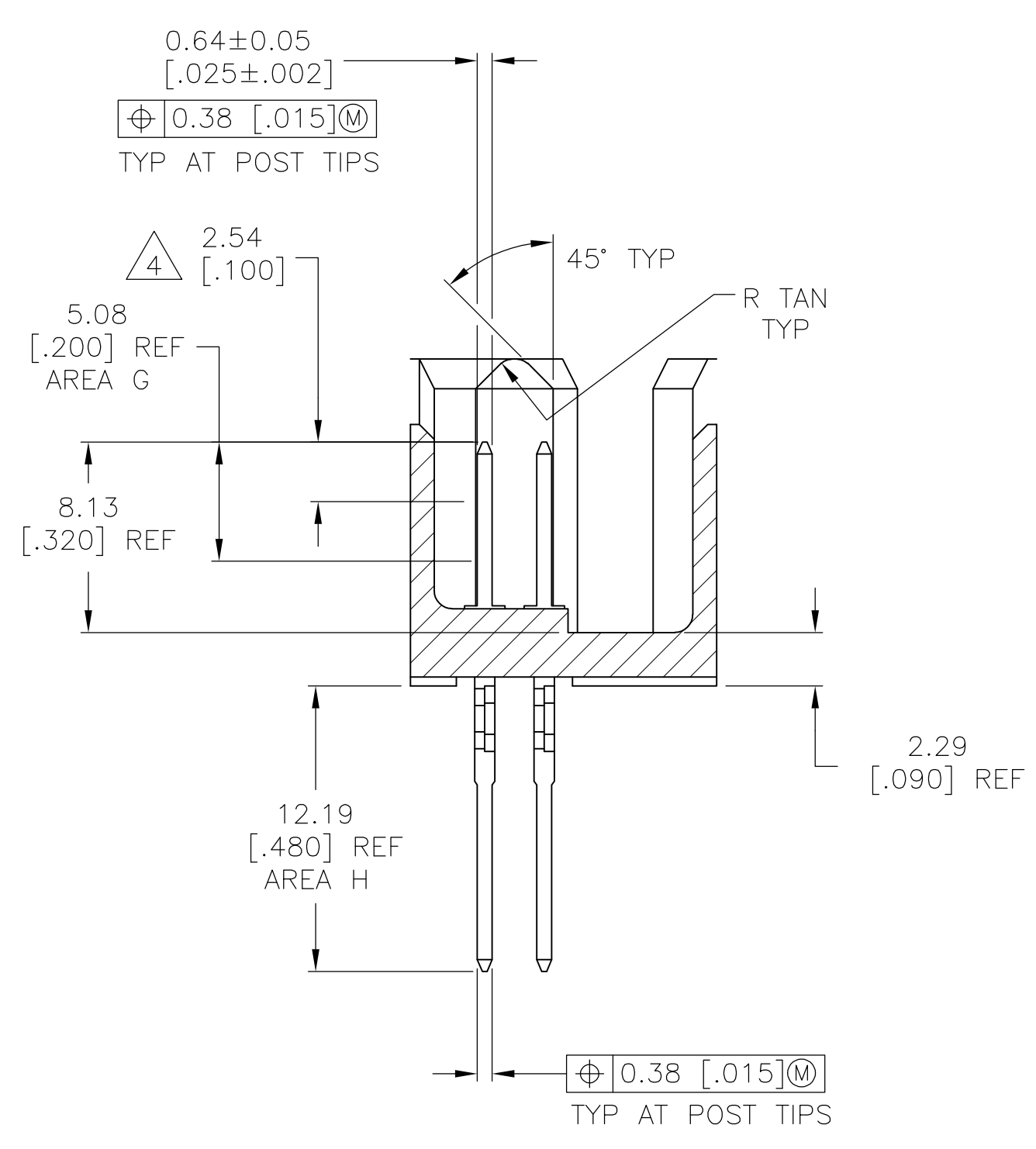
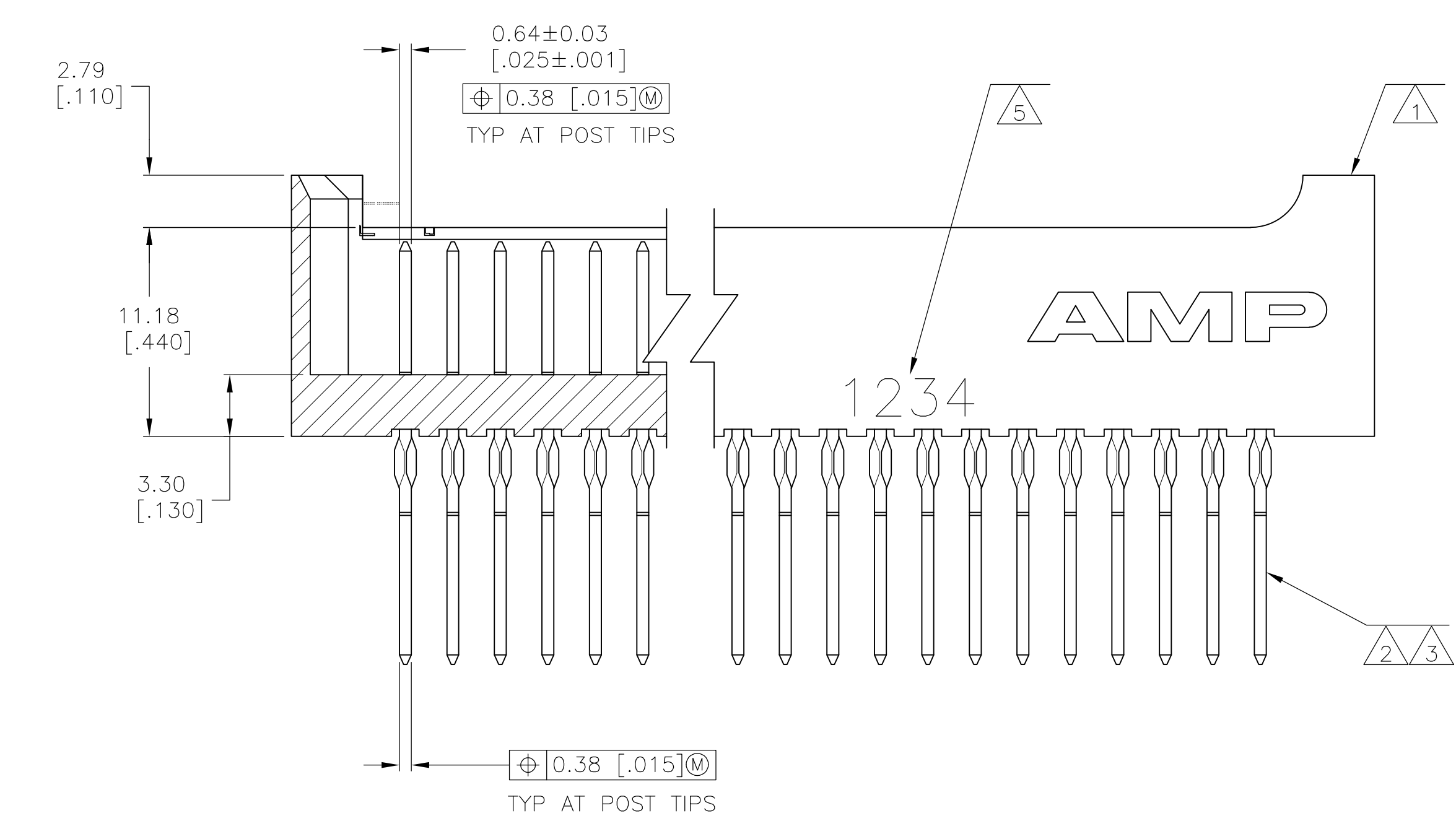
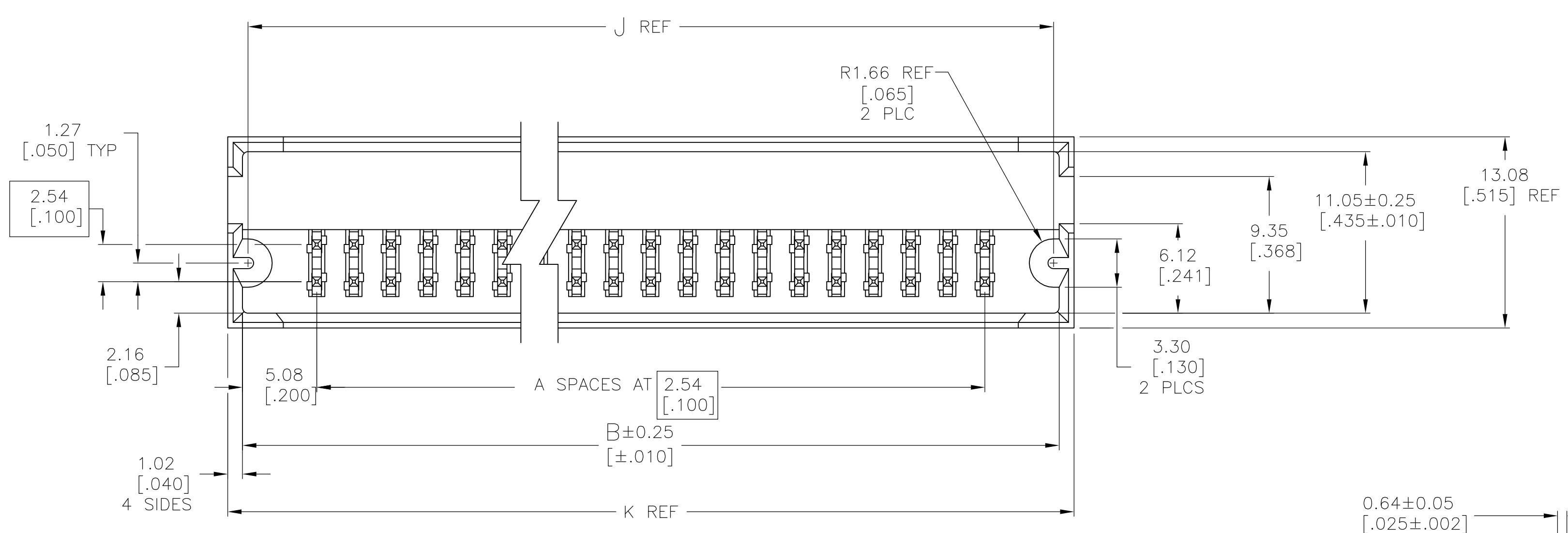


LOC		DIST		REVISIONS			
IF	LTR	DESCRIPTION	DATE	DRN	APVD		
G		ECO-07-016583	11DEC07	MB	JO		



- 1 HOUSING: FLAME RETARDANT THERMOPLASTIC; COLOR: BLACK.
- 2 POST: COPPER ALLOY.
- 3 POST FINISH: 0.00076 [.000030] GOLD IN AREA G, 0.00038 [.000015] GOLD IN AREA H, ALL OVER 0.00127 [.000050] NICKEL.
- 4 POINT OF MEASUREMENT FOR PLATING THICKNESS.
- 5 RECESSED DATE CODE.
- 6 CSA LOGO RECESS STAMPED ON HOUSING.

NO OF POSN	A	B	J	K	PART NUMBER
2-102666-8					
2-102666-7					
2-102666-6					
2-102666-5					
2-102666-4					
2-102666-3					
2-102666-2					
2-102666-1					
187.45 [7.380]	184.66 [7.270]	185.42 [7.300]	69	140	2-102666-0
1-102666-9					
1-102666-8					
1-102666-7					
1-102666-6					
1-102666-5					
1-102666-4					
1-102666-3					
1-102666-2					
162.05 [6.380]	159.26 [6.270]	160.02 [6.300]	59	120	1-102666-1
1-102666-9					
174.75 [6.880]	171.96 [6.770]	172.72 [6.800]	64	130	1-102666-0
136.65 [5.380]	133.86 [5.270]	134.62 [5.300]	49	100	102666-8
102666-7					
102666-6					
102666-5					
102666-4					
102666-3					
102666-2					
102666-1					

THIS DRAWING IS A CONTROLLED DOCUMENT. DWG: K.L.CLOUSER/UTA 02APR91. CHK: D. SARVER 19JUN91. Tycos Electronics Corporation Harrisburg, Pa 17105-3608.

DIMENSIONS: mm [INCHES]	TOLERANCES UNLESS OTHERWISE SPECIFIED:	0 PLC ± -	1 PLC ± -	2 PLC ± 0.13 [.005]	3 PLC ± -	4 PLC ± -	ANGLES ± -
MATERIAL: HOUSING: 1. POST: 2.		FINISH: 3. POST: 4.		SIZE: A1	CAGE CODE: 00779	DRAWING NO: 102666	RESTRICTED TO: -
CUSTOMER DRAWING		SCALE: 4:1	SHEET: 1 OF 1	REV: G			

# Mouser Electronics

Authorized Distributor

Click to View Pricing, Inventory, Delivery & Lifecycle Information:

[TE Connectivity:](#)

[102666-9](#)