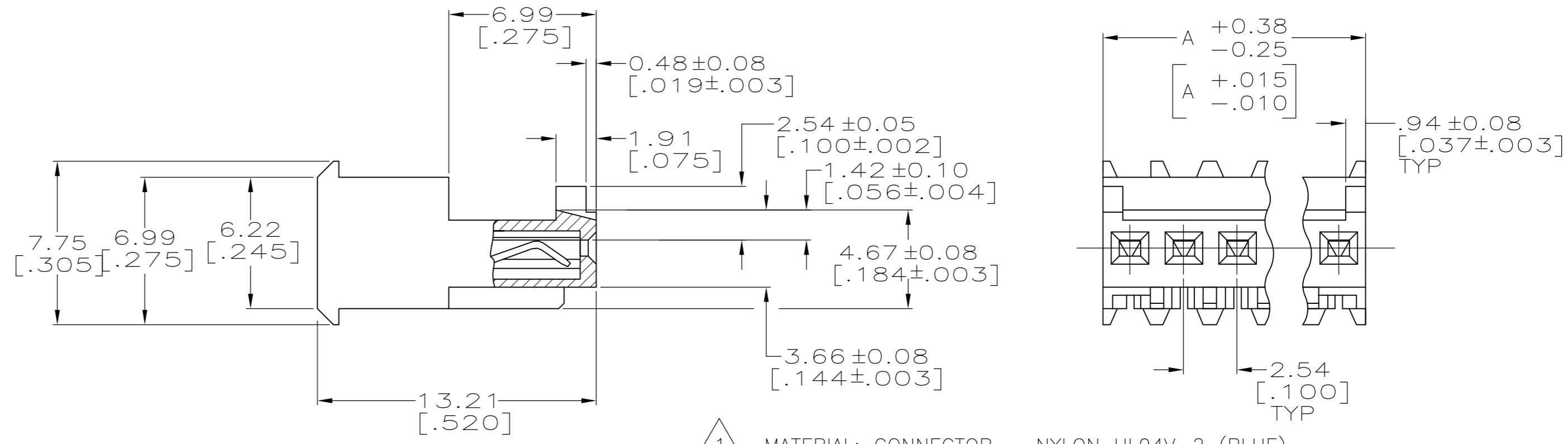
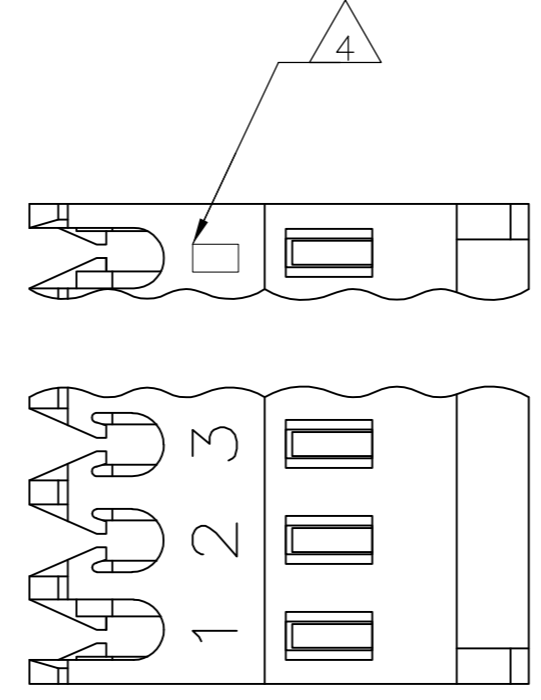


THIS DRAWING IS UNPUBLISHED. RELEASED FOR PUBLICATION  
 © COPYRIGHT - By - TE CONNECTIVITY ALL RIGHTS RESERVED.

| LOC | DIST | REVISIONS   |                           |           |        |
|-----|------|-------------|---------------------------|-----------|--------|
| P   | LTR  | DESCRIPTION | DATE                      | DWN       | APVD   |
| CM  | 00   | E2          | REVISED PER ECR-17-018812 | 12FEB2018 | BDA SG |



- 1 MATERIAL: CONNECTOR - NYLON UL94V-2 (BLUE).  
CONTACTS - 0.30[.012] THICK COPPER ALLOY BRIGHT TIN-LEAD .00203[.000080] MIN THICKNESS FOR 644564-2 THRU 2-644564-8.  
MATTE WHISKER MITIGATED TIN .00203[.000080] MIN THICKNESS OVER NICKEL UNDERPLATE FOR 3-644564-2 THRU 5-644564-4.
- 2 CONTACTS ACCEPT 26 AWG WIRE WITH 1.52[.060] MAX INSULATION DIAMETER.
- 3 CONTACTS MUST ACCEPT 0.64±0.03[.025±.001] SQUARE POST AND REMAIN LOCKED IN POSITION.
- 4 IDENTIFICATION NUMBER FOR LAST CIRCUIT MAY NOT APPEAR ON ALL ASSEMBLIES.
- 5 DIMENSIONS IN BRACKETS ARE IN INCHES.
- 6 HOUSING FEATURES ARE: FEED THRU WITH LOCKING RAMP AND WITH POLARIZING TAB.
- 7 OBSOLETE PARTS: OBSOLETE CIS STREAMLINING PER D.RENAUD/D.SINISI
- 8 OBSOLETE PARTS

|              |    |            |
|--------------|----|------------|
| 60.96[2.400] | 24 | 5-644564-4 |
| 55.88[2.200] | 22 | 5-644564-2 |
| 53.34[2.100] | 21 | 5-644564-1 |
| 50.80[2.000] | 20 | 5-644564-0 |
| 48.26[1.900] | 19 | 4-644564-9 |
| 45.72[1.800] | 18 | 4-644564-8 |
| 43.18[1.700] | 17 | 4-644564-7 |
| 40.64[1.600] | 16 | 4-644564-6 |
| 38.10[1.500] | 15 | 4-644564-5 |
| 35.56[1.400] | 14 | 4-644564-4 |
| 33.02[1.300] | 13 | 4-644564-3 |
| 30.48[1.200] | 12 | 4-644564-2 |
| 27.94[1.100] | 11 | 4-644564-1 |
| 25.40[1.000] | 10 | 4-644564-0 |
| 22.86[.900]  | 9  | 3-644564-9 |
| 20.32[.800]  | 8  | 3-644564-8 |
| 17.78[.700]  | 7  | 3-644564-7 |
| 15.24[.600]  | 6  | 3-644564-6 |
| 12.70[.500]  | 5  | 3-644564-5 |
| 10.16[.400]  | 4  | 3-644564-4 |
| 7.62[.300]   | 3  | 3-644564-3 |
| 5.08[.200]   | 2  | 3-644564-2 |

|              |    |            |            |
|--------------|----|------------|------------|
| 60.96[2.400] | 24 | 2-644564-4 | SUPERSEDED |
| 55.88[2.200] | 22 | 2-644564-2 | SUPERSEDED |

|              |    |            |            |
|--------------|----|------------|------------|
| 38.10[1.500] | 15 | 1-644564-5 | SUPERSEDED |
| 35.56[1.400] | 14 | 1-644564-4 |            |
| 33.02[1.300] | 13 | 1-644564-3 |            |
| 30.48[1.200] | 12 | 1-644564-2 | OBSOLETE   |
| 27.94[1.100] | 11 | 1-644564-1 |            |
| 25.40[1.000] | 10 | 1-644564-0 | SUPERSEDED |
| 22.86[.900]  | 9  | -644564-9  |            |
| 20.32[.800]  | 8  | -644564-8  |            |
| 17.78[.700]  | 7  | -644564-7  |            |
| 15.24[.600]  | 6  | -644564-6  |            |
| 12.70[.500]  | 5  | -644564-5  | SUPERSEDED |
| 10.16[.400]  | 4  | -644564-4  |            |
| 7.62[.300]   | 3  | -644564-3  |            |
| 5.08[.200]   | 2  | -644564-2  | SUPERSEDED |

|  |  |                                  |   |                 |            |
|--|--|----------------------------------|---|-----------------|------------|
| THIS DRAWING IS A CONTROLLED DOCUMENT. |  | DWN<br>S. CARPENTER<br>12JUN2003 |   | TE Connectivity |            |
| DIMENSIONS: INCHES                     |  | CHK<br>D. BOSSI<br>12JUN2003     |   | NAME            |            |
| TOLERANCES UNLESS OTHERWISE SPECIFIED: |  | APVD<br>D. BOSSI<br>12JUN2003    | MTA-100 CONNECTOR ASSEMBLY,<br>26 AWG, STANDARD |                 |            |
| 0 PLC ±                                |  | PRODUCT SPEC                     | SIZE  | CAGE CODE       | DRAWING NO |
| 1 PLC ±                                |  | APPLICATION SPEC                 | A2  | 00779           | C=644564   |
| 2 PLC ±                                |  | 108-1050                         | RESTRICTED TO                                   | -               |            |
| 3 PLC ± 0.13 [ .005]                   |  | 114-1019                         | SCALE   | SHEET           | REV        |
| 4 PLC ±                                |  | WEIGHT                           | 5:1   | 1 of 1          | E2         |
| ANGLES ±                               |  | CUSTOMER DRAWING                 |   |                 |            |
| FINISH                                 |  |                                  |   |                 |            |

# Mouser Electronics

Authorized Distributor

Click to View Pricing, Inventory, Delivery & Lifecycle Information:

[TE Connectivity:](#)

[4-644564-2](#)