

PRODUCT NUMBER

SEE P/N SCHEME

NOTE:

- MATERIAL:
HOUSING: LCP, UL94V-0, HALOGEN FREE, COLOR: OPTION
CONTACT: COPPER ALLOY.
METAL HARPOON: BRASS
- CONTACT FINISH: NICKEL 50u" Min. UNDERPLATED OVERALL.
OPTIONAL PLATING ON CONTACT AREA, 100u" MIN MATTE TIN ON SOLDER TAIL.
METAL HARPOON FINISH: 100u" MIN MATTE TIN OVER 50u" Min. NICKEL
- REFER GS-20-0399 APPLICATION SPECIFICATION FOR MATING CONNECTOR.
- PRODUCT SPECIFICATION: GS-12-1177.
- PACKAGE SPECIFICATION: GS-14-2359.
- APPLICATION SPECIFICATION: GS-20-0399
- THE HOUSING WILL WITHSTAND EXPOSURE TO 260°C PEAK TEMPERATURE FOR 10 SECONDS IN A REFLOW OVEN.
- THE HOUSING WILL WITHSTAND EXPOSURE TO 260°C PEAK TEMPERATURE FOR 5 SECONDS IN A WAVE SOLDER
- LEAD FREE PRODUCTS MEET EUROPEAN UNION DIRECTIVES AND OTHER COUNTRY REGULATIONS AS DESCRIBED IN GS-47-0004
- PART NUMBER SCHEME:
10127721- XX X X X X LF

POS. CODE:
02: 2 POS
04: 4 POS
8
24: 24 POS

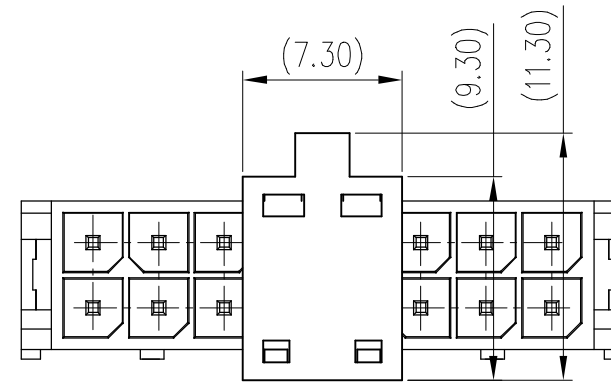
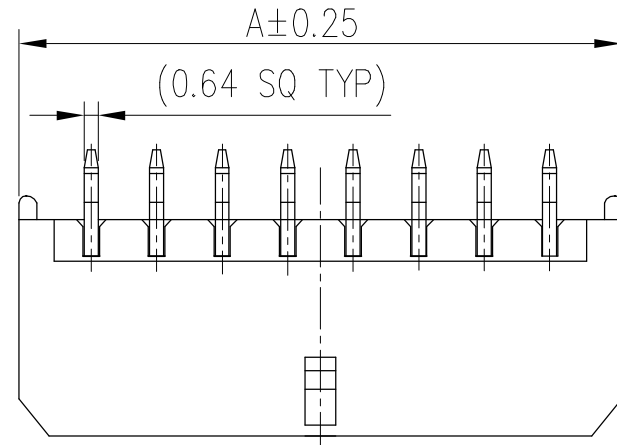
LEAD FREE
PACKAGE:
BLANK: TRAY
R: TAPE AND REEL WITH CAP
T: TAPE AND REEL WITHOUT CAP
ACCESSORIES:
BLANK: WITHOUT METAL HOLD DOWN
H: WITH METAL HOLD DOWN
GLOW WIRE COMPATIBLE:
BLANK: NON-COMPATIBLE, BLACK
G: COMPATIBLE, BLACK
N: NON-COMPATIBLE, NATURAL
S: COMPATIBLE, NATURAL

CONTACT CODE:

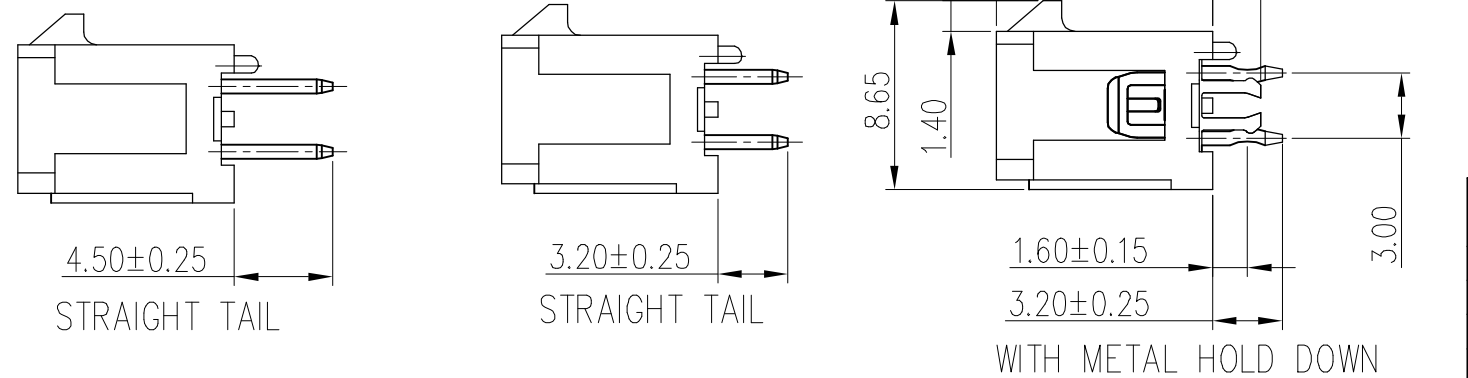
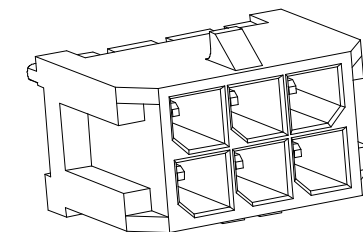
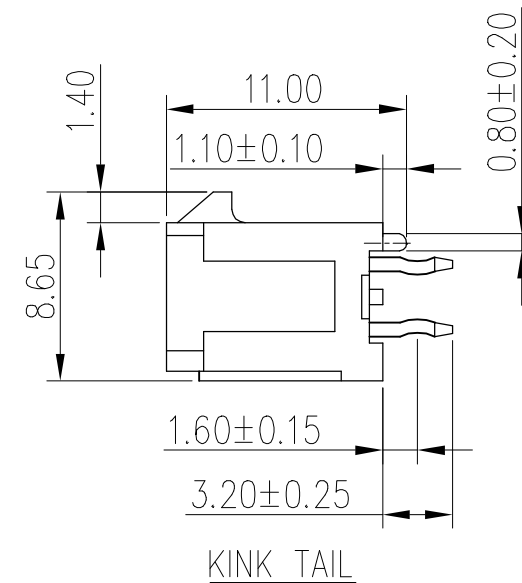
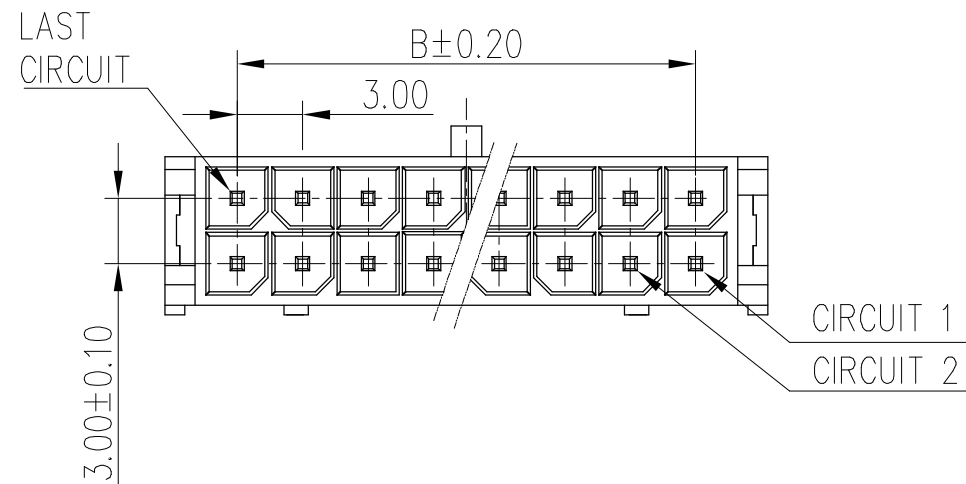
- 3.20mm KINK TAIL, 100u"Min MATTE TIN OVERALL
- 3.20mm KINK TAIL, GOLD FLASH OVERALL
- 3.20mm KINK TAIL, 15u"Min Au ON CONTACT AREA, 100u"Min MATTE TIN ON SOLDER TAIL
- 3.20mm KINK TAIL, 30u" Au ON CONTACT AREA, 100u"Min MATTE TIN ON SOLDER TAIL
- 3.20mm STRAIGHT TAIL, G/F ON CONTACT AREA, 100u" MIN MATTE TIN ON SOLDER TAIL
- 4.50mm STRAIGHT TAIL, 100u" Min MATTE TIN OVERALL
- 3.20mm STRAIGHT TAIL, 100u" Min MATTE TIN OVERALL

P/N & DIMENSION TABLE:

P/N	POS	A	B
10127721-02XXXXLF	2	6.60	--
10127721-04XXXXLF	4	9.60	3.00
10127721-06XXXXLF	6	12.60	6.00
10127721-08XXXXLF	8	15.60	9.00
10127721-10XXXXLF	10	18.60	12.00
10127721-12XXXXLF	12	21.60	15.00
10127721-14XXXXLF	14	24.60	18.00
10127721-16XXXXLF	16	27.60	21.00
10127721-18XXXXLF	18	30.60	24.00
10127721-20XXXXLF	20	33.60	27.00
10127721-22XXXXLF	22	36.60	30.00
10127721-24XXXXLF	24	39.60	33.00



SHOWN WITH DISPOSABLE CAP



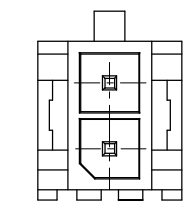
mat'l. code		surface		tolerance		projection		product family	
		ISO 1302		ISO 406 ISO 1101		mm		MINITEK PWR3.0	
ltr	ecn no	dr	date	tolerances unless otherwise specified		mm		title	
H	ELX-N-30134	TONY	2018-07-24	angles	linear	mm		DUAL ROW, VERTICAL DIP TYPE	
J	ELX-N-31205	TONY	2018-09-07	0°±2'		scale N.T.S		MINITEK 3.0 STANDARD HEADER	
K	ELX-I-43460	AKHIL	2022-01-21					dwg no sheet 1 of 2 size	
		dr	KENNY TAI	2013-10-21			10127721		A3
		eng	AKHIL RAJAN	2022-01-21			Product Customer Drawing		
		chr	MITHUN PAUL	2022-01-21					
		appd	SPK	2022-01-21					
sheet	revision	K	K						
index	sheet	1	2						



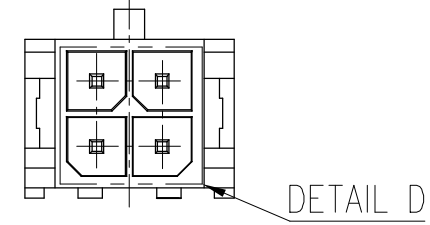
Amphenol
FCi

© 2016 AFCI

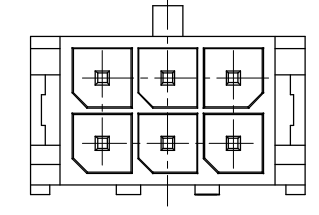
© 2016 AFCI



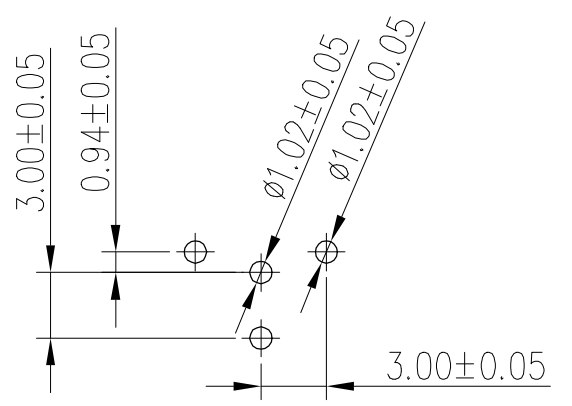
2 POSITIONS



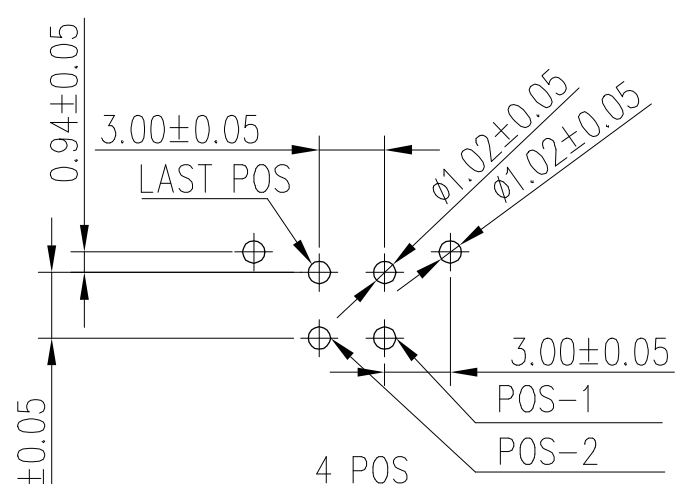
4 POSITIONS



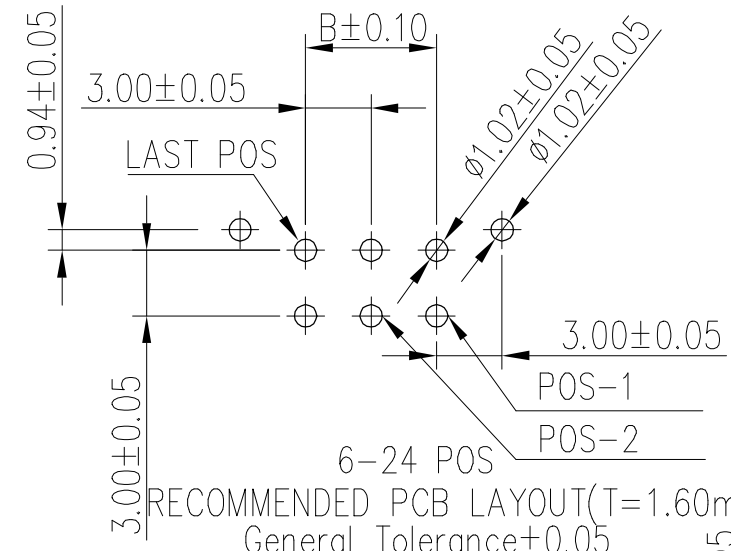
6 POSITIONS



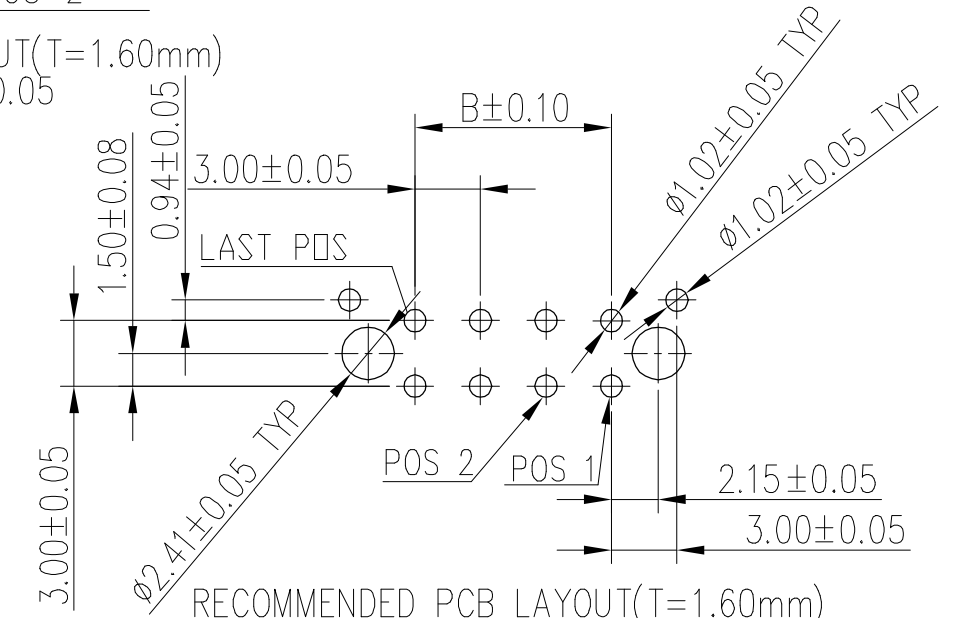
2 POS
RECOMMENDED PCB LAYOUT(T=1.60mm)
General Tolerance±0.05



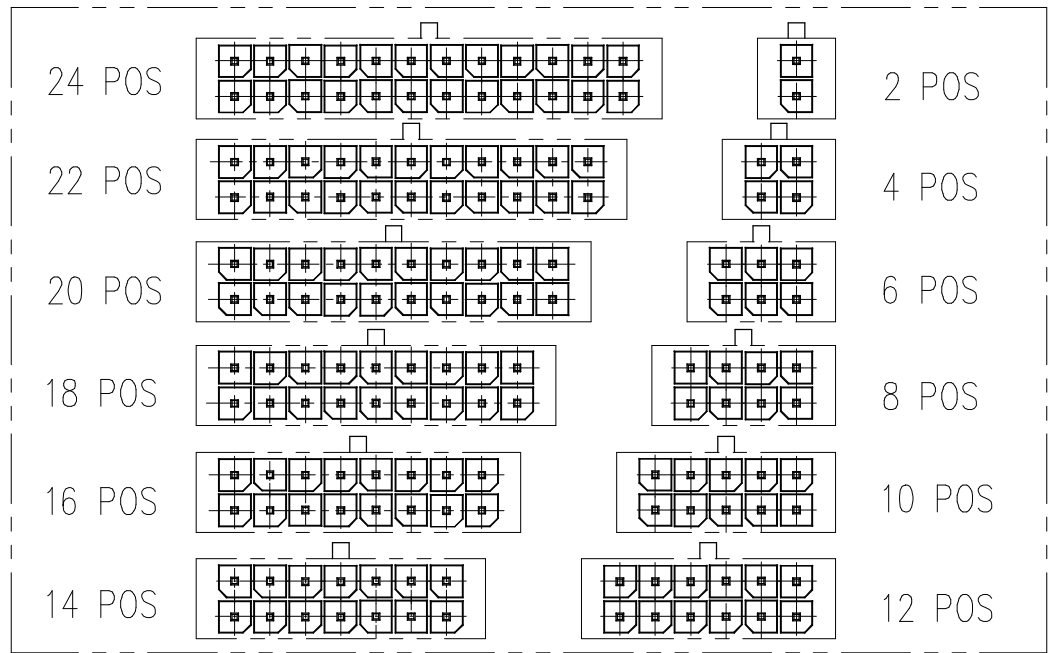
4 POS
RECOMMENDED PCB LAYOUT(T=1.60mm)
General Tolerance±0.05



6-24 POS
RECOMMENDED PCB LAYOUT(T=1.60mm)
General Tolerance±0.05



RECOMMENDED PCB LAYOUT(T=1.60mm)
02~24POS (W/HOLD DOWN)
General Tolerance±0.05



DETAIL D

mat'l. code		surface		tolerance		projection		product family	
		ISO 1302 ✓		ISO 406 ISO 1101		mm		MINITEK PWR3.0	
ltr		ecn no		dr		date		title	
								DUAL ROW, VERTICAL DIP TYPE	
				angles		linear		MINITEK 3.0 STANDARD HEADER	
				0°±2'		scale		N.T.S	
		dr		KENNY TAI		2013-10-21		dwg no	
		eng		AKHIL RAJAN		2022-01-21		sheet 2 of 2	
		chr		MITHUN PAUL		2022-01-21		size	
		appd		SPK		2022-01-21		A3	
sheet index		revision		K		K		type	
		sheet		1		2		Product Customer Drawing	