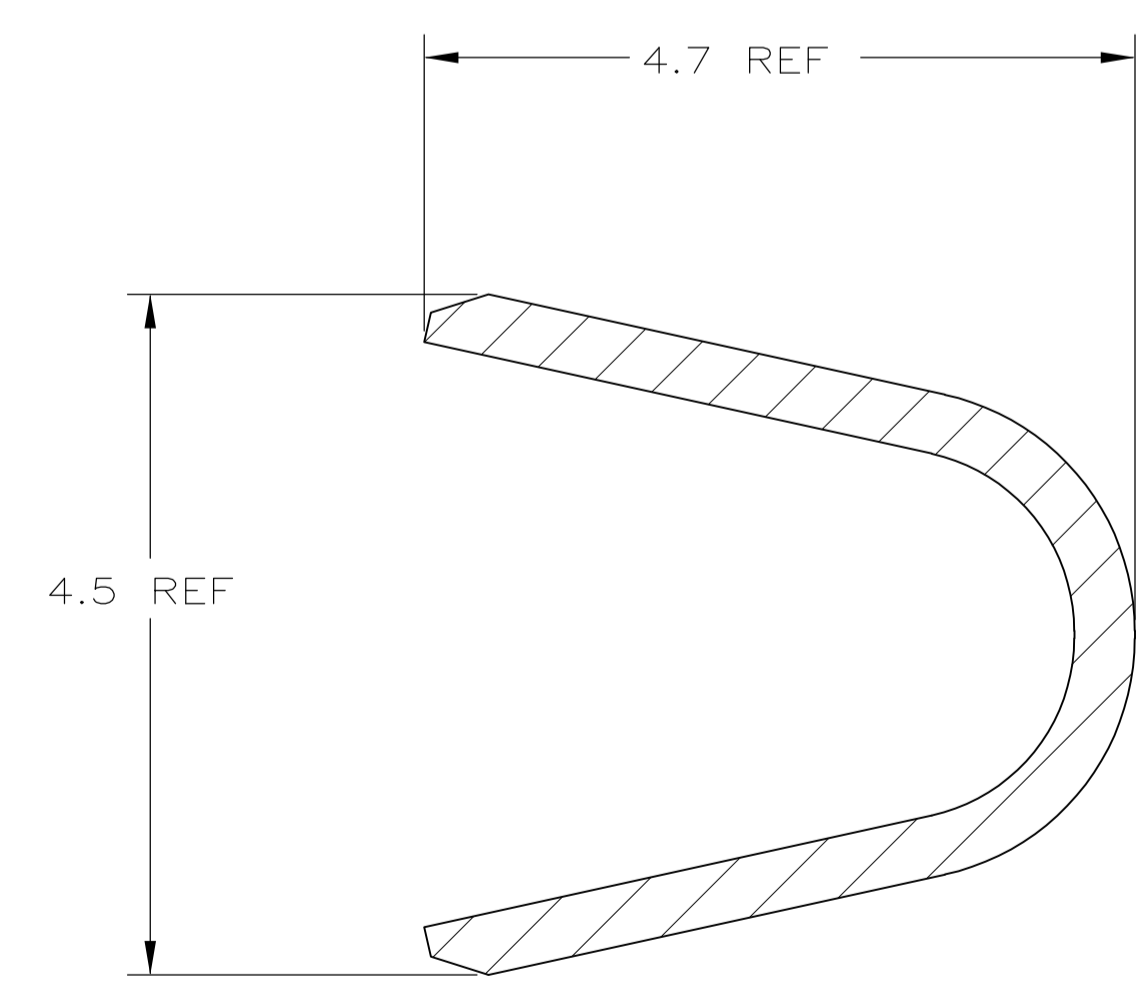


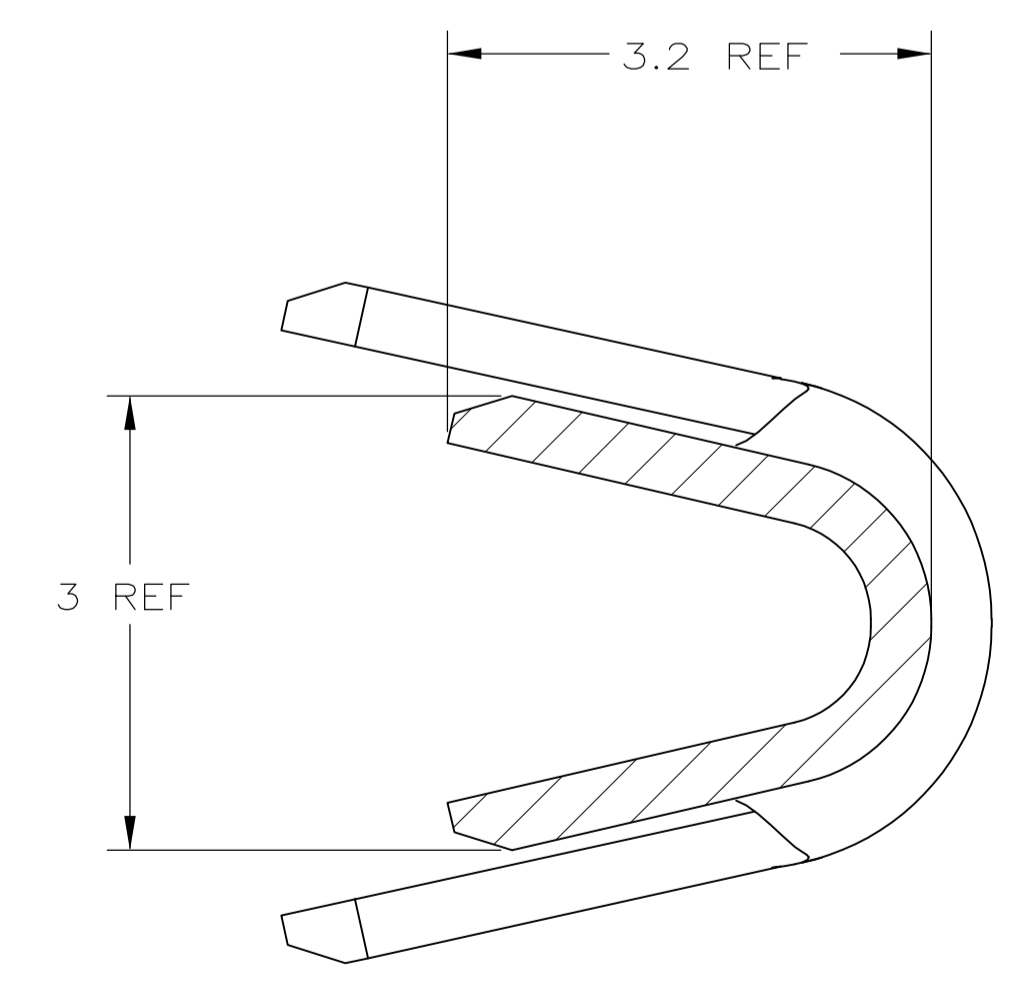
SCALE 5:1

- 1 MATERIAL: BRASS
- 2 MATERIAL: HIGH CONDUCTIVITY COPPER ALLOY
- 3 FINISH: CONTACT MATING AREA .38μm MIN Au; CRIMP AREA 2.03μm MIN. Sn; UNDERPLATE OVERALL 1.27μm MIN. Ni
- 4 FINISH: CONTACT MATING AREA 1.27μm MIN Au; CRIMP AREA 2.03μm MIN. Sn; UNDERPLATE OVERALL 1.27μm MIN Ni
- 5 CONTACT SHOWN W/O CARRIER, OR HIDDEN LINES, FOR CLARITY
- 6 CUT OFF TO BE .13 MAX
- 7 INSULATION DIAMETER : 2.0-3.1 mm
- 8 WIRE DIAMETER: 16-20 AWG
- 10 THIS PRODUCT HAS NOT COMPLETED VALIDATION TESTING.
- 11 FINISH: ENTIRE CONTACT 1.27μm MIN Au; UNDERPLATE OVERALL 1.27μm MIN Ni

SCALE 12:1



SECTION A-A
SCALE 20:1



SECTION B-B
SCALE 20:1

MATERIAL	LOOSE PIECE	FINISH	DIM "A"	PART NO
2	6	11	11.4	1-1489128-6
2	6	11	9.8	1-1489128-5
1	6	11	11.4	1-1489128-4
1	6	11	9.8	1-1489128-3
2	-	4	11.4	1-1489128-0
2	-	4	9.8	1489128-9
1	-	3	11.4	1489128-8
1	-	3	9.8	1489128-7
1	-	4	11.4	1489128-3
1	-	4	9.8	1489128-2

THIS DRAWING IS A CONTROLLED DOCUMENT. TOLERANCES UNLESS OTHERWISE SPECIFIED:

DIMENSIONS: mm	0. PLC ± .05	1. PLC ± .05	2. PLC ± .05	3. PLC ± .05	4. PLC ± .05	ANGLES ± .5
----------------	--------------	--------------	--------------	--------------	--------------	-------------

AL FRANTUM 15 MAY 02
 Tyco Electronics Corporation
 MINI POWER DRAWER CRIMP PLUG CONTACT 16 - 20 GAUGE
 PRODUCT SPEC 108-1998
 APPLICATION SPEC 114-13067
 WEIGHT -
 SIZE A1 CAGE CODE 00779 DRAWING NO. 1489128
 CUSTOMER DRAWING SCALE 4:1 SHEET 1 OF 1 REV C

Mouser Electronics

Authorized Distributor

Click to View Pricing, Inventory, Delivery & Lifecycle Information:

[TE Connectivity:](#)

[1-1489128-0](#)