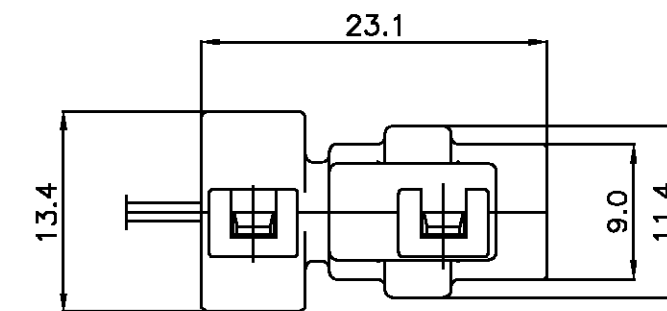
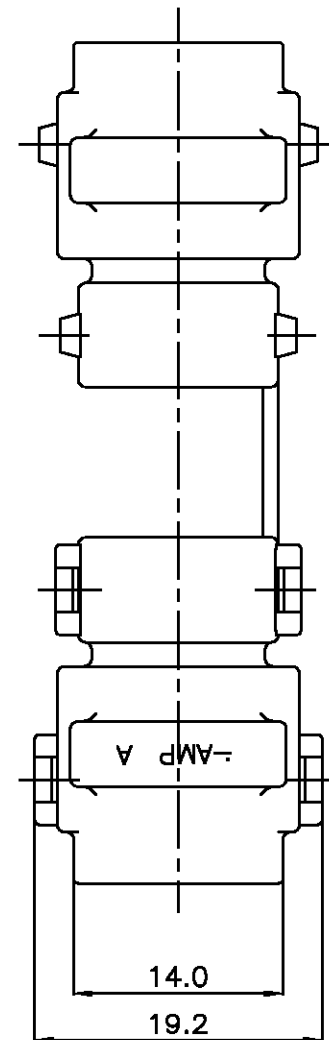
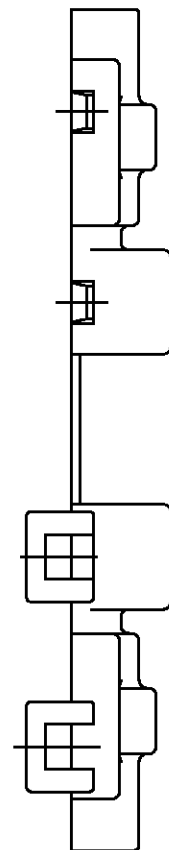
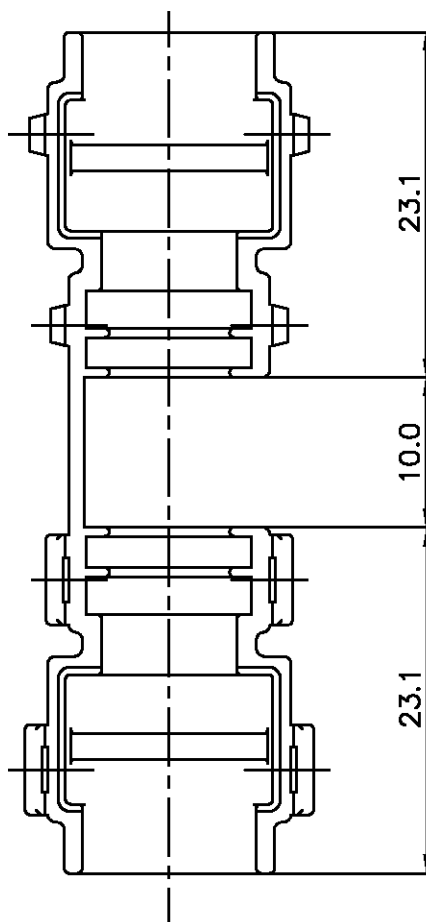
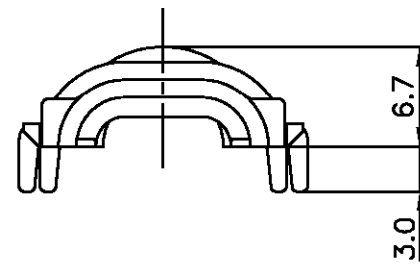


P	LTR	DESCRIPTION	DATE	DWN	APVD
	O	RELEASED(FC00-0109-01)	11,OCT,01	HS	CS



ASS'Y VIEW

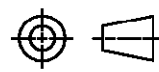
NOTE

- 1. APPLICABLE CORRUGATOR DIAMETER : $\phi 7.0$
- 2. APPLICABLE PLUG HSG P/N : 936059-1

NYLON 66	936111-1	BLACK
MATERIAL	PART NUMBER	COLOR

THIS DRAWING IS A CONTROLLED DOCUMENT FOR AMP INCORPORATED. IT IS SUBJECT TO CHANGE AND THE CONTROLLING ENGINEERING ORGANIZATION SHOULD BE CONTACTED FOR THE LATEST REVISION.

DIMENSIONS: MM



MATERIAL SEE TABLE

TOLERANCES UNLESS OTHERWISE SPECIFIED:

- 0 <XX<10 ± 0.2
- 10 <XX<30 ± 0.25
- 30 <XX ± 0.3
- ANGLES $\pm 3^\circ$

FINISH

//

DWN HS BAE

CHK BM JANG

APVD CS LEE

PRODUCT SPEC

APPLICATION SPEC

WEIGHT



AMP KOREA. kyungsan, korea

NAME

COVER HSG FOR 2.8 mm SEALED 2P PLUG CONN'R

SIZE

CAGE CODE

DRAWING NO

A3

00779

©= 936111

SCALE 2/1

SHEET 1 OF 1

REV 0

Mouser Electronics

Authorized Distributor

Click to View Pricing, Inventory, Delivery & Lifecycle Information:

[TE Connectivity:](#)

[936111-1](#)