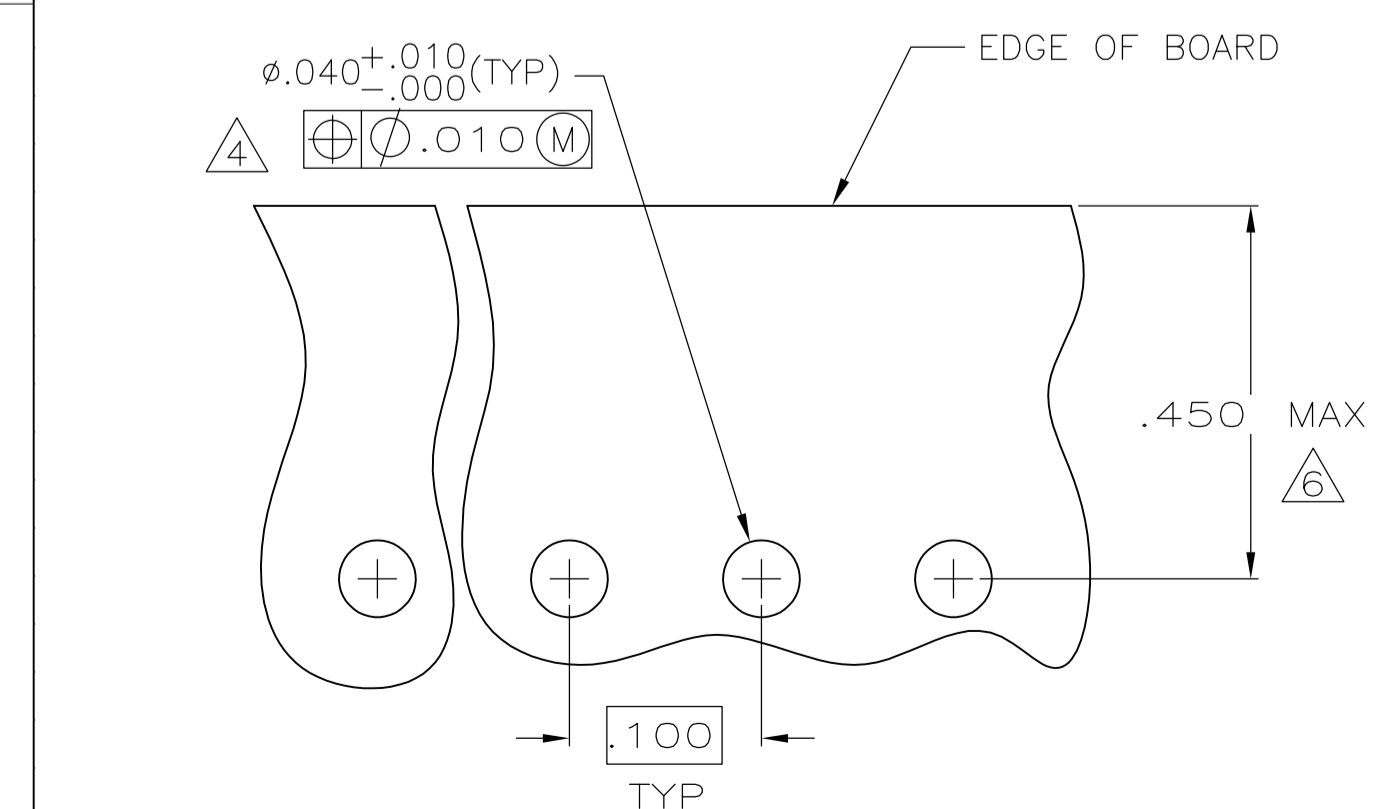
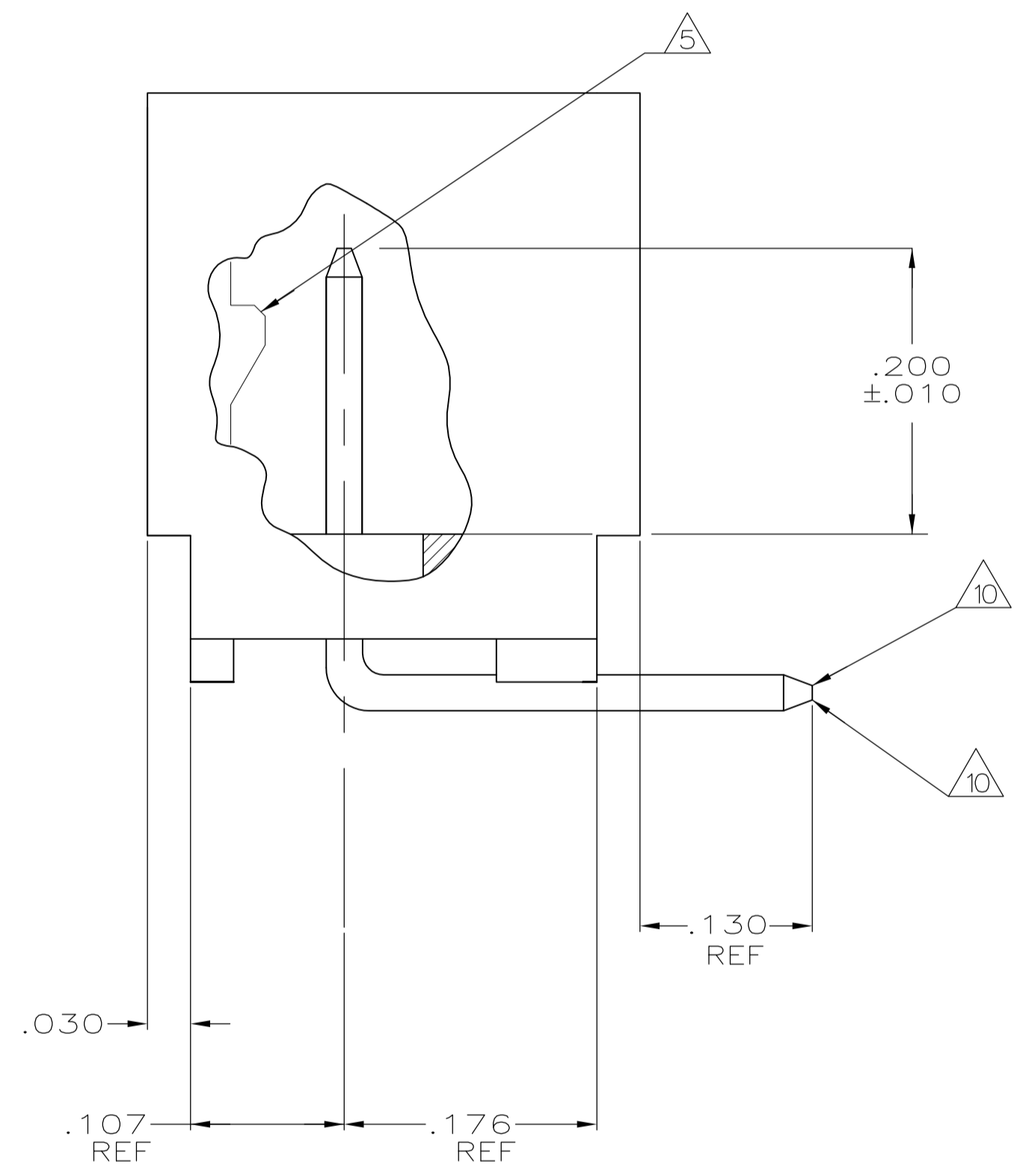
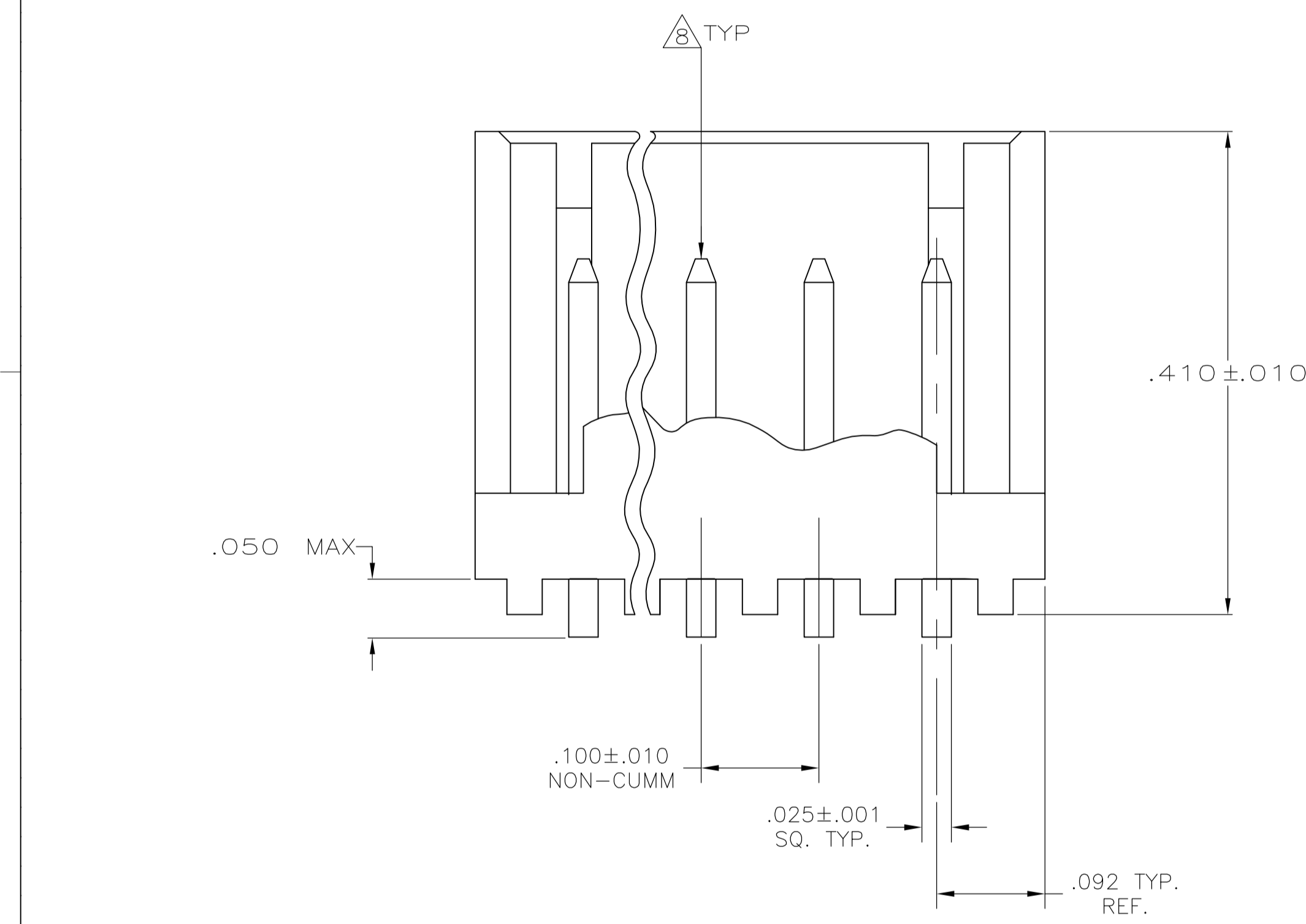


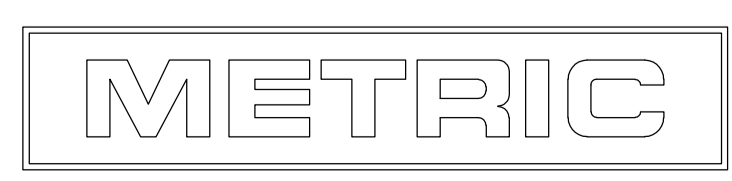
- 1 MATERIAL: HEADER- POLYESTER UL94V-0 (BLACK)  
POST- COPPER ALLOY.
- 2 SOLDER SIDE OF P.C. BOARD SHOWN.
- 3 PARTS COMPLY WITH AMP SOLDERABILITY SPEC 109-11-2.
- 4 ONE HOLE MAY BE UNDERSIZED (.032-.035 DIA) FOR ASSEMBLY RETENTION DURING WAVE SOLDERING.
- 5 LATCH DETENT FEATURE OCCURS 2 PLACES ON EACH END (MAXIMUM OF FOUR PER PART). FOR 2 THRU 5 CIRCUIT HEADERS, LATCH FEATURE OCCURS BETWEEN EACH CIRCUIT.
- 6 COORDINATE DIMENSION APPLIES FROM CENTER OF ACTUAL FEATURE.
- 7 POST: 100% MATTE TIN PLATED.
- 8 POST MUST WITHSTAND 3.0 LBS (13.3 N) MIN FORCE WITHOUT DISLODGING, EITHER DIRECTION.
- 9 UL AND CSA LOGO WILL APPEAR IN THIS AREA. AMP LOGO MAY APPEAR IN THIS AREA OR ON BOTTOM OF PART.
- 10 TWO SIDES OF TAPER, AS SHOWN, MUST BE PLATED. TYPICAL, BOTH ENDS.
- 11 TWO SIDES OF TAPER, AS SHOWN, AND TIP MAY BE UNPLATED. TYPICAL, BOTH ENDS.
- 12 SLOTS MAY OR MAY NOT APPEAR ON THESE PARTS.
- 13 POST: MATTE TIN-LEAD (93/7) PLATED.
- 14 OBSOLETE PART NUMBER.



.035	0.89	.176	4.47	-	-
.032	0.81	.130	3.3	-	-
.030	0.76	.107	2.72	-	-
.025	0.64	.100	2.54	.450	11.43
.010	0.25	.092	2.34	.410	10.41
.005	0.13	.063	1.6	.313	7.95
.001	0.03	.050	1.27	.300	7.62
.000	0	.040	1.02	.200	5.08
IN	MM	IN	MM	IN	MM

CONVERSION TABLE

1.484	37.69	14	3-644803-4				
1.384	35.15	13	3-644803-3				
1.284	32.61	12	3-644803-2				
1.184	30.07	11	3-644803-1				
1.084	27.53	10	3-644803-0				
.984	24.99	9	2-644803-9				
.884	22.45	8	2-644803-8				
.784	19.91	7	2-644803-7				
.684	17.37	6	2-644803-6				
.584	14.83	5	2-644803-5				
.484	12.29	4	2-644803-4				
.384	9.75	3	2-644803-3				
.284	7.21	2	2-644803-2	YES	7		
14	SUPERSEDED	1.484	37.69	14	1-644803-4		
14	SUPERSEDED	1.384	35.15	13	1-644803-3		
14	SUPERSEDED	1.284	32.61	12	1-644803-2		
14	SUPERSEDED	1.184	30.07	11	1-644803-1		
14	SUPERSEDED	1.084	27.53	10	1-644803-0		
14	SUPERSEDED	.984	24.99	9	644803-9		
14	SUPERSEDED	.884	22.45	8	644803-8		
14	SUPERSEDED	.784	19.91	7	644803-7		
14	SUPERSEDED	.684	17.37	6	644803-6		
14	SUPERSEDED	.584	14.83	5	644803-5		
14	SUPERSEDED	.484	12.29	4	644803-4		
14	SUPERSEDED	.384	9.75	3	644803-3		
14	SUPERSEDED	.284	7.21	2	644803-2		
				IN	MM	NO OF POSITIONS	PART NUMBER
				L	HEADER ASSEMBLY		
						LEADFREE	FINISH
						NO	13



THIS DRAWING IS A CONTROLLED DOCUMENT.

DIMENSIONS: INCHES	TOLERANCES UNLESS OTHERWISE SPECIFIED:	DRAWING NO	DATE
0 PLC ± -	1 PLC ± -	28MAY2003	
2 PLC ± -	3 PLC ± .005		
4 PLC ± -	ANGLES ± -		

MATERIAL: 1 FINISH: SEE TABLE

APPROVED: D. ROSSI 28MAY2003

NAME: MTA-100 SHROUDED HEADER ASSEMBLY, FRICTION LOCK, RIGHT ANGLE POST, TIN OR TIN LEAD PLATED

SIZE: A1    CASE CODE: 00779    DRAWING NO: 644803

WEIGHT:    CUSTOMER DRAWING    SCALE: 10:1    SHEET: 1 of 1    REV: H

# Mouser Electronics

Authorized Distributor

Click to View Pricing, Inventory, Delivery & Lifecycle Information:

[TE Connectivity:](#)

[3-644803-0](#)