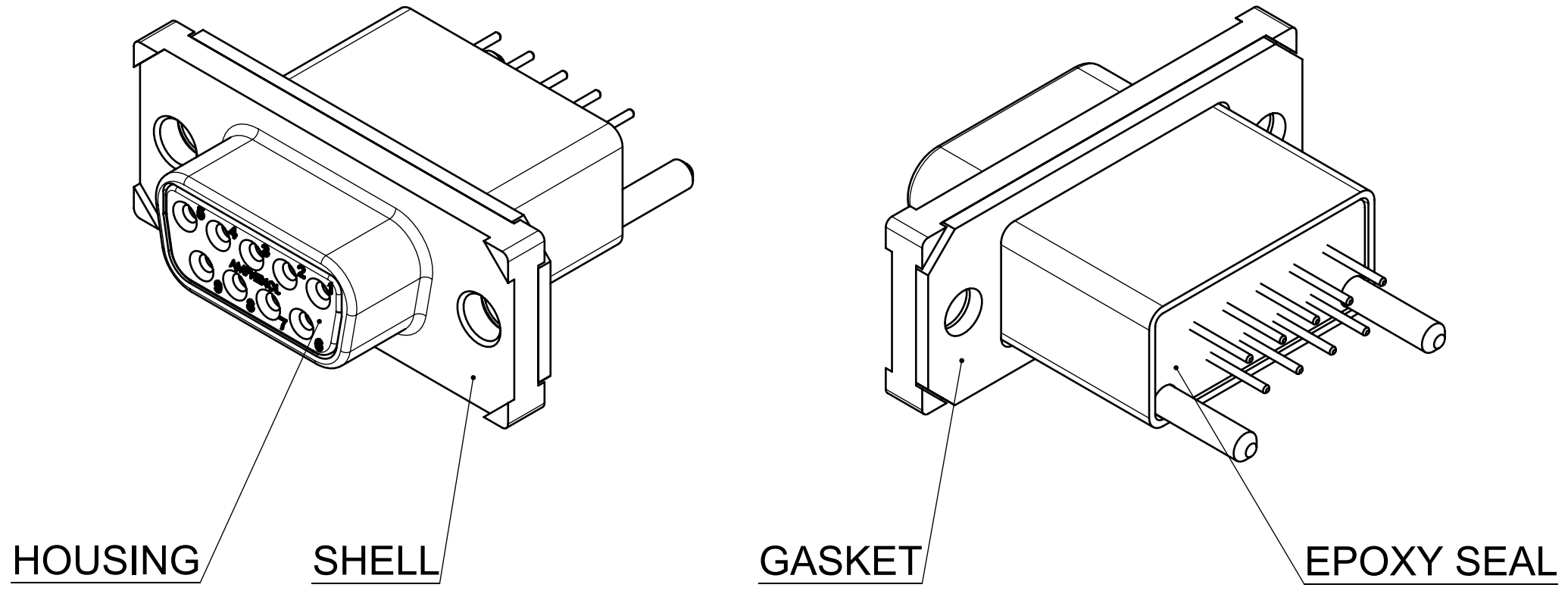
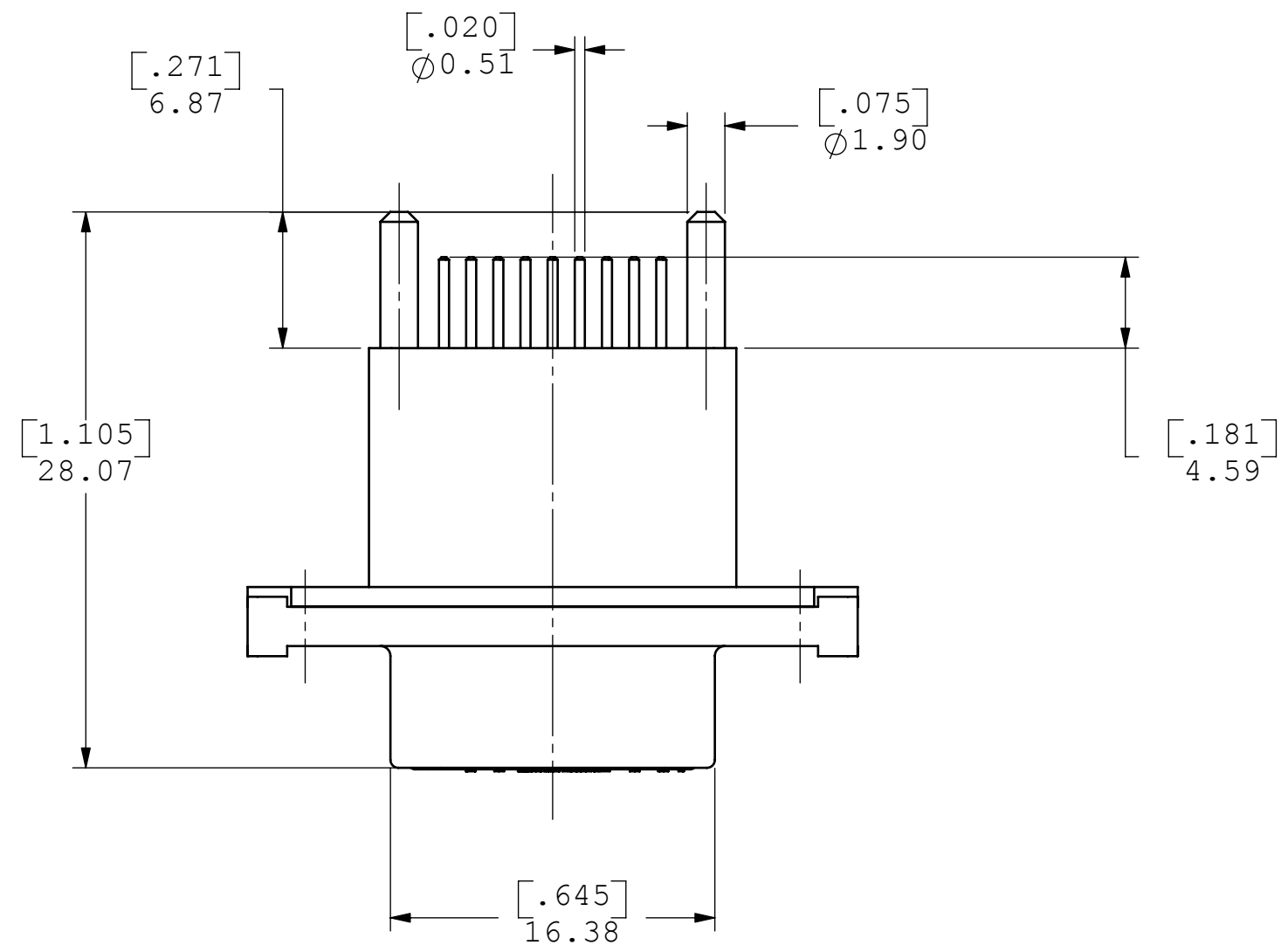
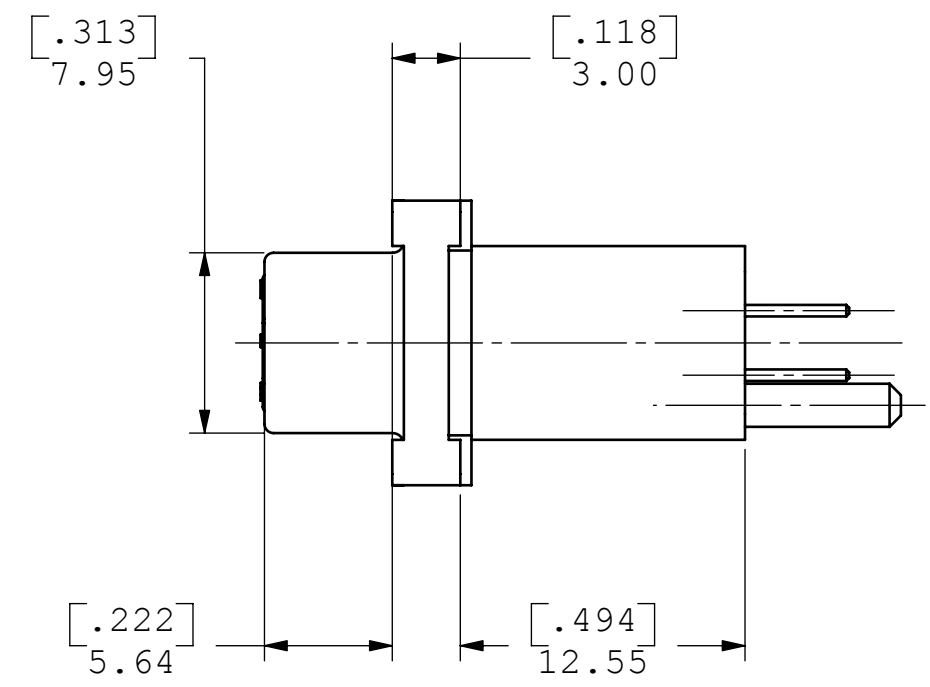
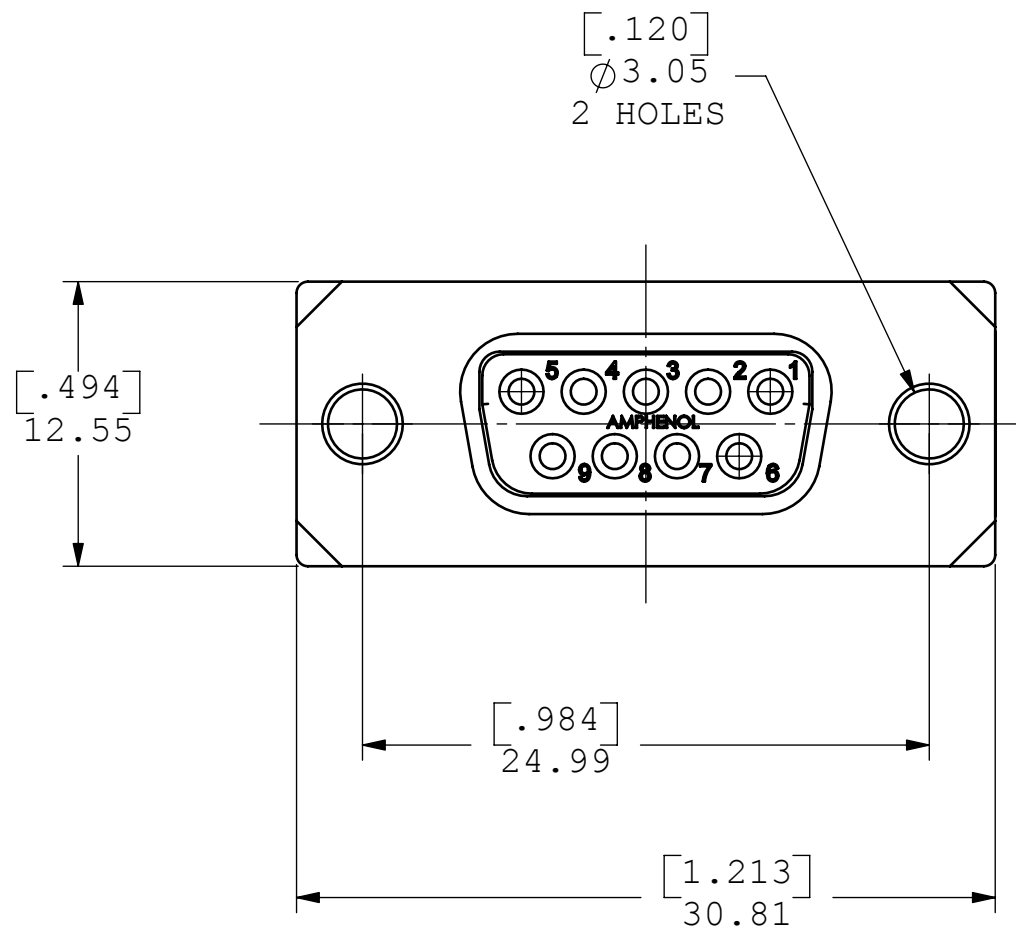


REV	DESCRPT	DATE	APPRVD



**MDB-E09SA-765 IS SHOWN**



**NOTES:**

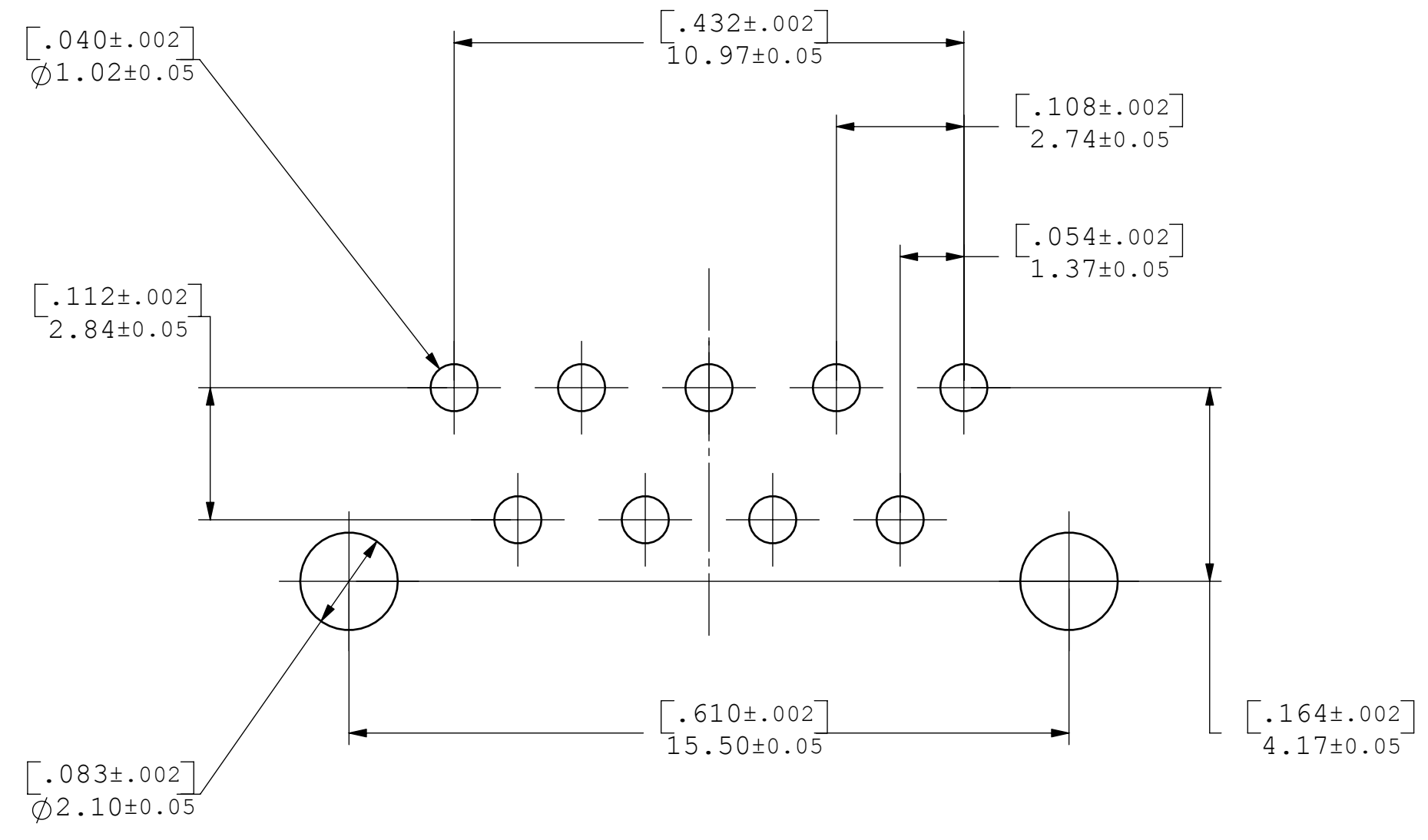
- MATERIAL:**
  - SHELL: ZINC ALLOY WITH 50 MICRO INCH MINIMUM NICKEL PLATING,
  - CONTACTS: COPPER ALLOY 50 MICRO INCH GOLD OVER 50 MICRO INCH NICKEL PLATING,
  - HOUSING: THERMOPLASTIC POLYESTER RESIN,
  - GASKET: SILICONE RUBBER,
  - SCREWS: STAINLESS STEEL,
  - DUST COVER: SILICONE RUBBER.
- FEATURES:** SEALED CONNECTOR IN THE MATED AND UNMATED CONDITIONS.
- OPERATING TEMPERATURE:** -40°C TO +105°C.
- ENVIRONMENT PERFORMANCE:** IP67.
- CONNECTOR IS ROHS COMPLIANT PER EU DIRECTIVE 2002/95/EC AND AMENDMENTS.**
- PART IS UL94V-0 FLAMMABILITY COMPLIANT.**
- PART NUMBER FOR ORDER:**
  - MDB-E09SA-760 - WITH DUST COVER AND SCREWS,
  - MDB-E09SA-765 - NO DUST COVER AND SCREWS.



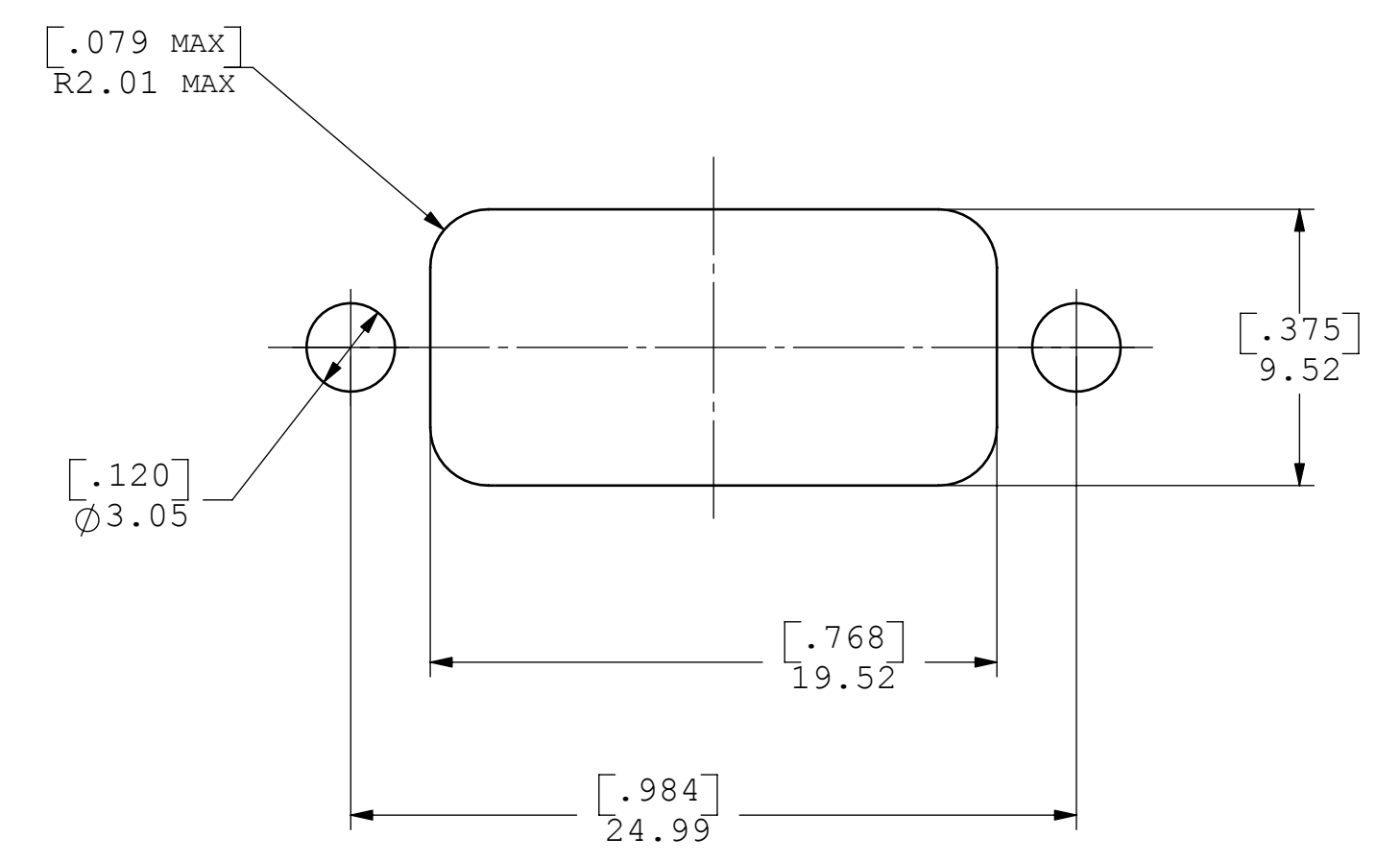
UNLESS OTHERWISE SPECIFIED DIMENSIONS ARE IN MILLIMETER TOLERANCES ARE:		APPROVALS	DATE	<b>Amphenol Canada Corp.</b>	
DECIMALS	ANGLES	DRAWN			
.XX ± .10	± 1°	S.SEMENOV	OCT02/06	TITLE	RUGGED 9 SOKET, D-SUB CONNECTOR, VERTICAL MOUNT
.X ± .25		DESIGNED	OCT02/06	SIZE	C
MATERIAL AND FINISH		CHECKED		DWG. NO.	P-MDB-E09SA-76X
REF.		QA APP'D		REV.	2B
CODE IDENT. NO.		IE APP'D		SCALE	3:1
		DWG APP'D	OCT02/06	PROJECT	MDB
		A.GREEN		SHEET	1 OF 2

DO NOT SCALE DRAWING  
THIS DOCUMENT CONTAINS PROPRIETARY INFORMATION AND SUCH INFORMATION MAY NOT BE DISCLOSED TO OTHERS FOR ANY PURPOSE OR USED FOR MANUFACTURING PURPOSES WITHOUT PERMISSION FROM AMPHENOL CANADA CORP.

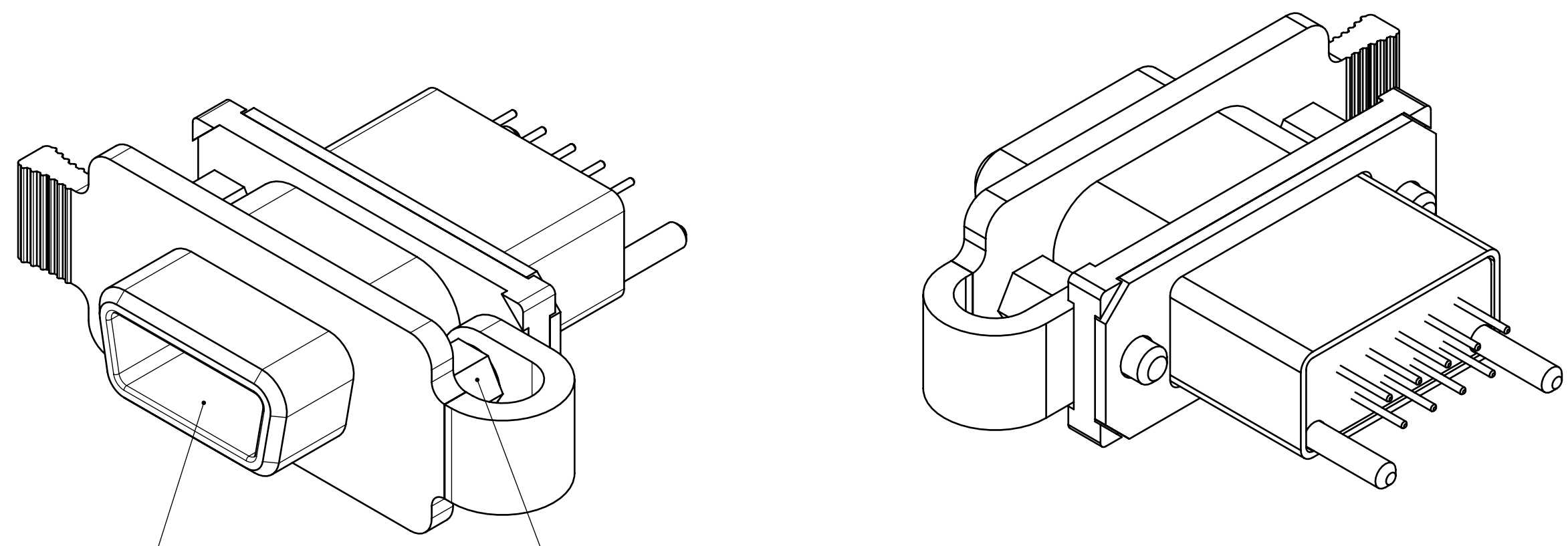
REV	DESCRIP	DATE	APPRVD



**RECOMMENDED P.C.B. LAYOUT**



**RECOMMENDED PANEL CUTOUT DIMENSIONS FOR REFERENCE ONLY**

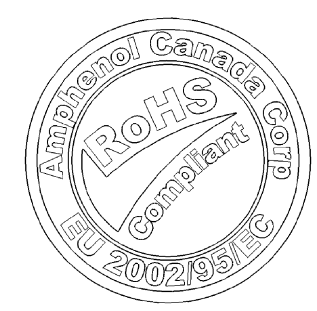


**DUST COVER**

**SCREW**

**MDB-E09SA-760 IS SHOWN**

**FOR MORE INFORMATION ABOUT DUST COVER SEE DRAWING MDB-E09SA-007**



UNLESS OTHERWISE SPECIFIED DIMENSIONS ARE IN MILLIMETER TOLERANCES ARE:		APPROVALS	DATE	<b>Amphenol Canada Corp.</b>	
DECIMALS	ANGLES	DRAWN	OCT02/06		
.XX ± .10	± 1°	S.SEMENOV		TITLE <b>RUGGED 9 SOKET, D-SUB CONNECTOR, VERTICAL MOUNT</b>	
.X ± .25		DESIGNED	OCT02/06		
		S.SEMENOV			
MATERIAL AND FINISH		CHECKED		SIZE	DWG. NO. P-MDB-E09SA-76X
		QA APP'D		C	
REF.		IE APP'D		SCALE	REV.
CODE IDENT. NO.		DWG APP'D	OCT02/06	3:1	2B
		A.GREEN		PROJECT	SHEET
				MDB	2 OF 2

DO NOT SCALE DRAWING  
THIS DOCUMENT CONTAINS PROPRIETARY INFORMATION AND SUCH INFORMATION MAY NOT BE DISCLOSED TO OTHERS FOR ANY PURPOSE OR USED FOR MANUFACTURING PURPOSES WITHOUT PERMISSION FROM AMPHENOL CANADA CORP.

# Mouser Electronics

Authorized Distributor

Click to View Pricing, Inventory, Delivery & Lifecycle Information:

[Amphenol:](#)

[MDB-E09SA-700](#) [MDB-E09SA-760](#) [MDB-E09PA-760](#)