

PART NAME

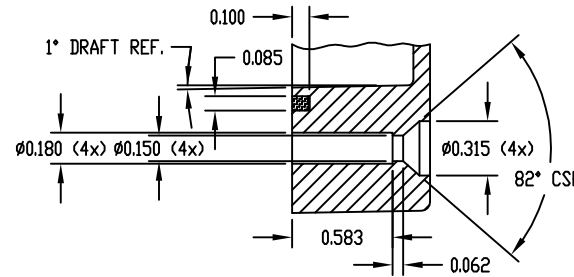
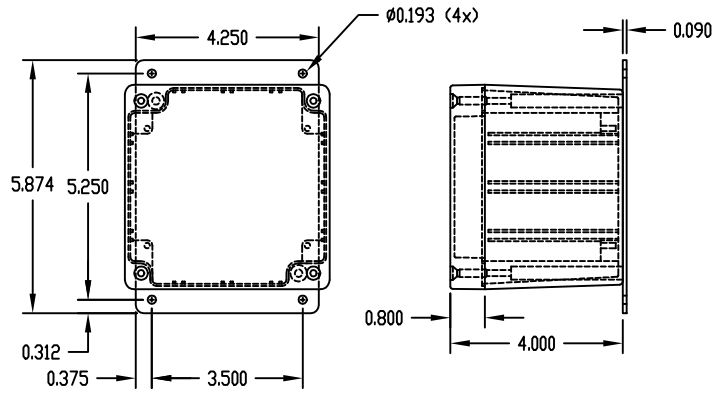
NEMA 4X DIE CAST ALUMINUM ENCLOSURE

PART No.

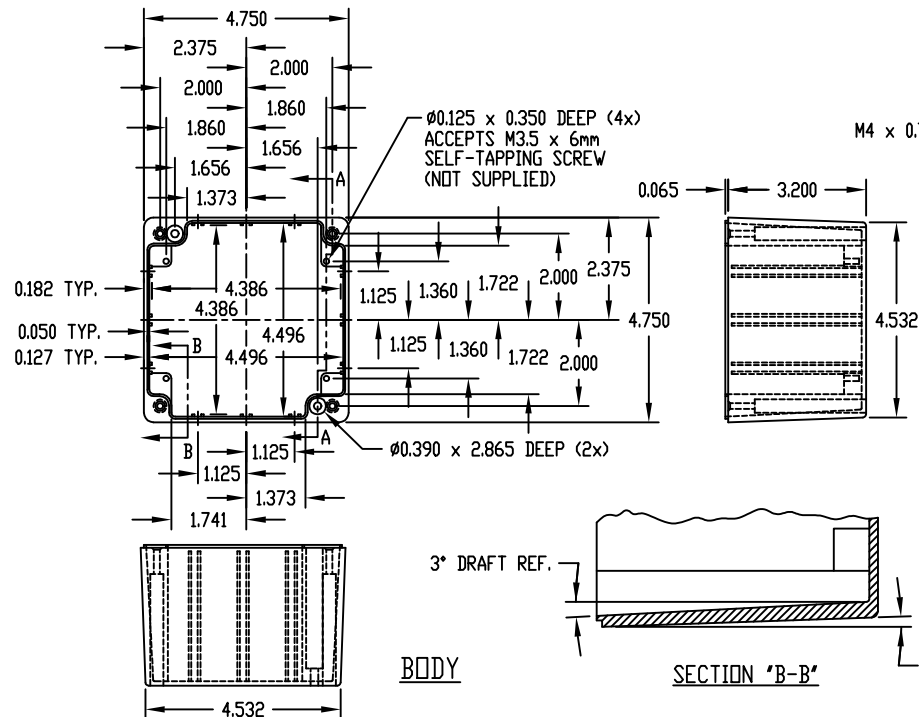
AN-1309, AN-1309-G, AN-2809 & AN-2809-B

REV. DATE

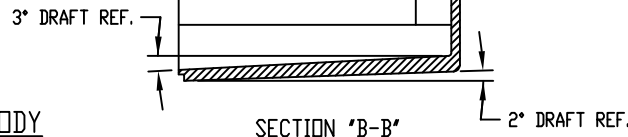
12-17-08



DETAIL 'D'



BODY



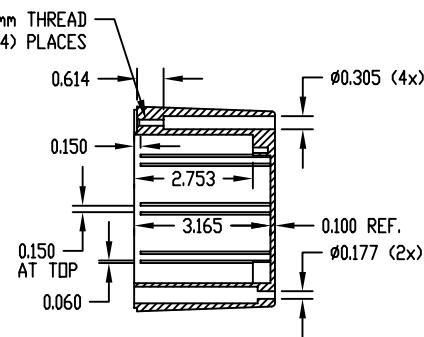
SECTION 'B-B'

MATERIAL: ALUMINUM ALLOY #ADC-12

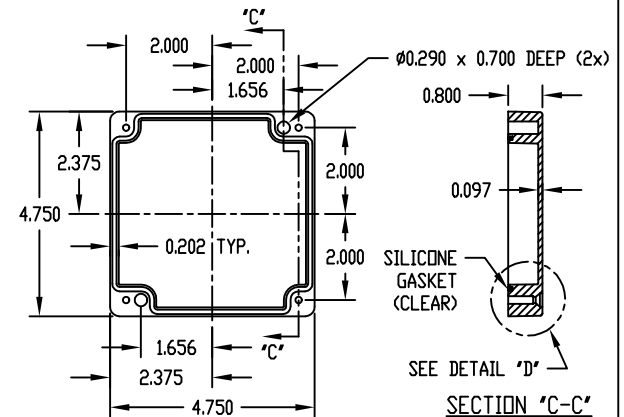
FINISH: NATURAL (NO SUFFIX)
GRAY (SUFFIX -G)
SMOOTH BLACK (SUFFIX -B)

NOTES:

- 1) FOUR (4) M4 x 32mm (1.260") LG. SCREWS SUPPLIED FOR ASSEMBLY OF COVER TO BODY.
- 2) ALL HOLE DIAMETERS HAVE ± 0.005 TOLERANCE ALL OTHER DIMENSIONS HAVE ± 0.015 TOLERANCE



SECTION 'A-A'



COVER

PART NO. AN-2809 & AN-2809-B ARE SUPPLIED WITH A WELDED ON MOUNTING BRACKET ONLY.

Mouser Electronics

Authorized Distributor

Click to View Pricing, Inventory, Delivery & Lifecycle Information:

[Bud Industries:](#)

[AN-1309](#) [AN-1309-G](#) [AN-2809](#) [AN-2809-B](#)