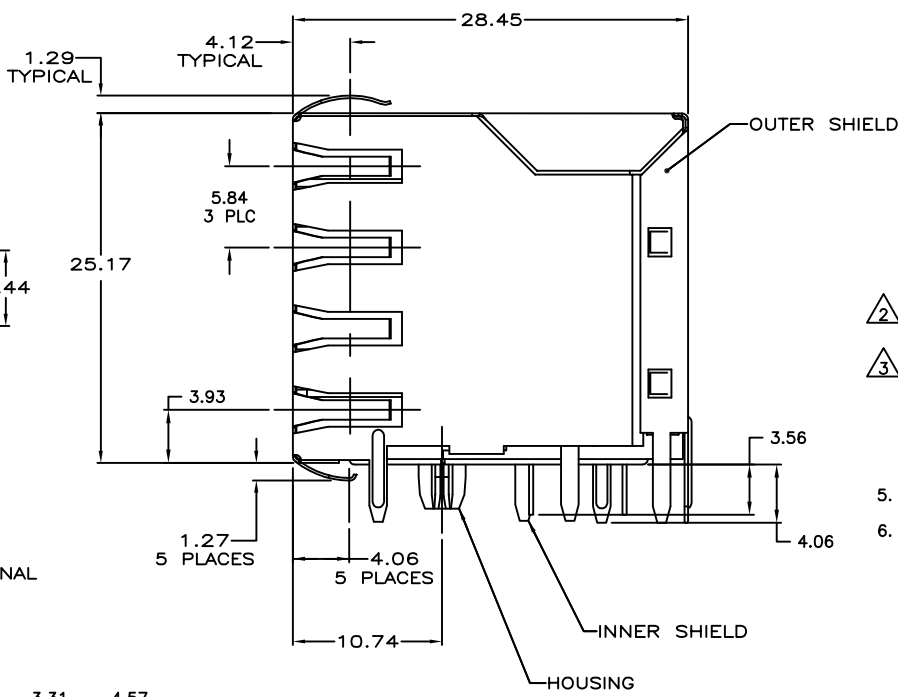
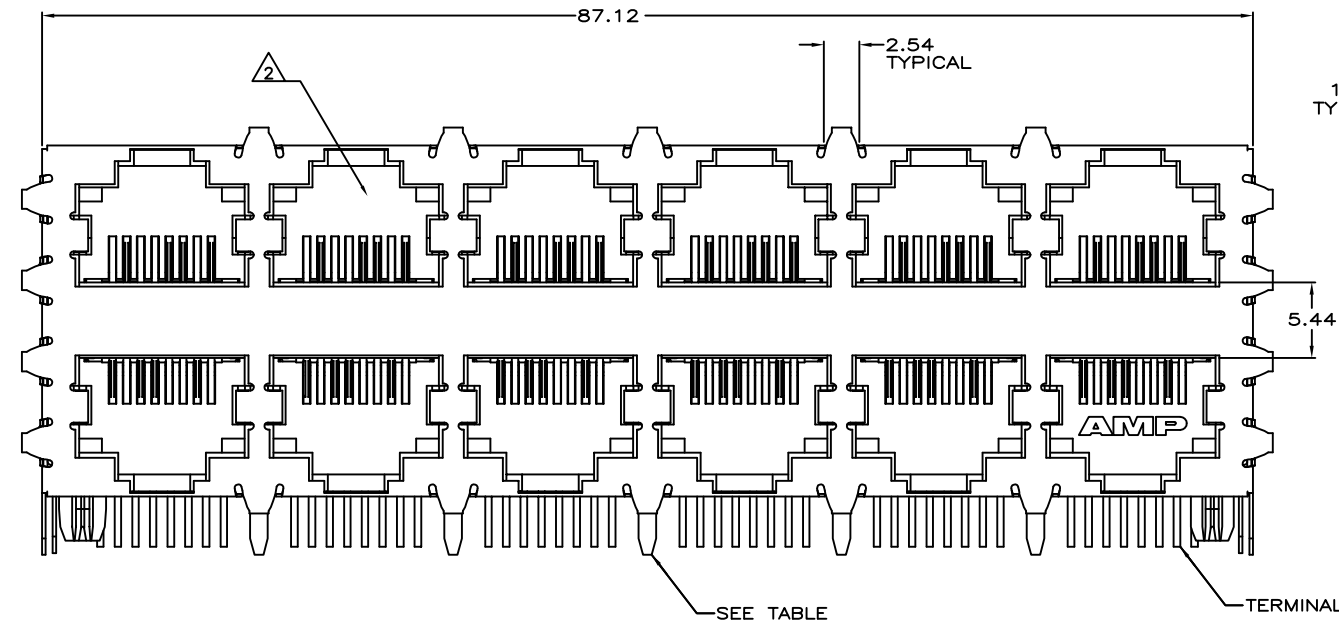
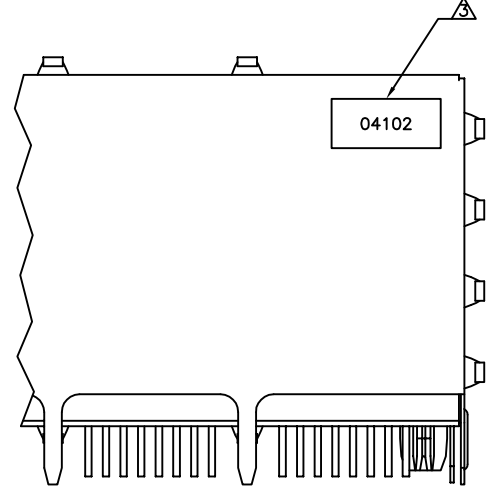
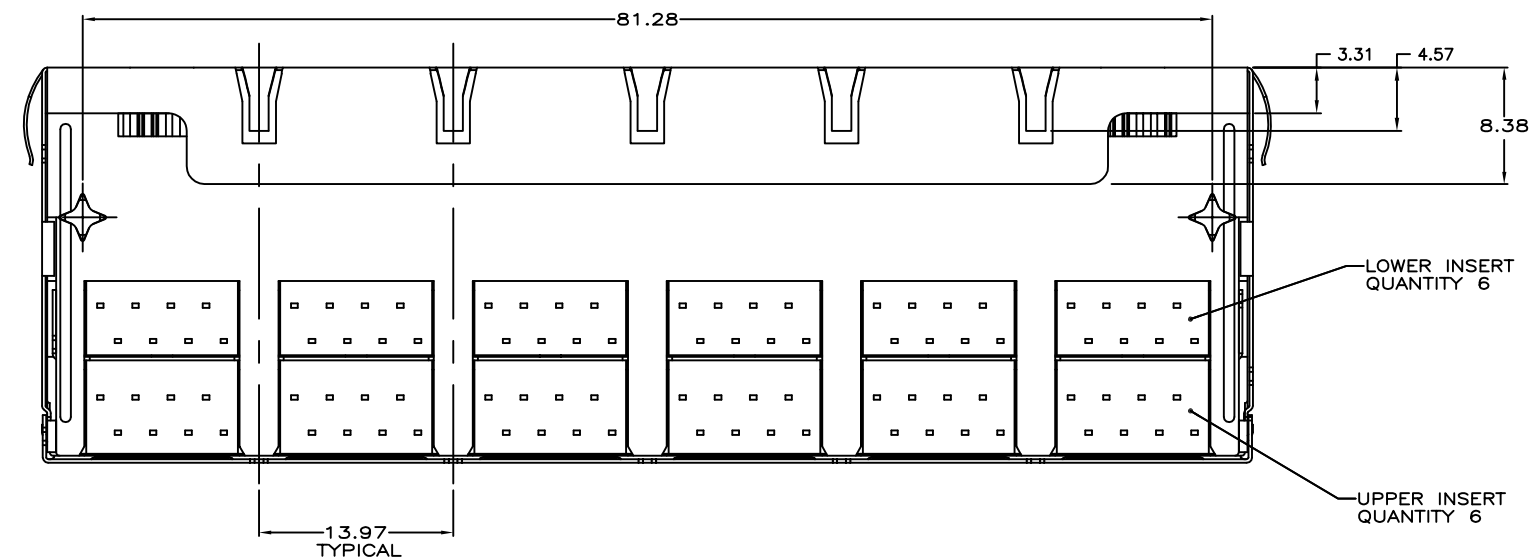


THIS DRAWING IS UNPUBLISHED. RELEASED FOR PUBLICATION
 © COPYRIGHT BY TYCO ELECTRONICS CORPORATION. ALL RIGHTS RESERVED.

LOC		DST		REVISIONS			
AA	22	F	LN	DESCRIPTION	DATE	BY	APPD
		B2		REV PER ECR-08-020098	11AUG2008	AL	SY



- MATERIAL:
 HOUSING - PCT POLYESTER, BLACK, UL94V-0.
 OVERMOLDED TERMINAL ARRAY - HIGH TEMPERATURE NYLON, COLOR: NATURAL
 TERMINALS - 0.33 [.013] THICK PHOS BRONZE PLATED WITH 1.27um [.000050] MIN THICK HARD GOLD IN LOCALIZED AREA AND 3.81um [.000150] MIN THICK MATTE TIN IN SOLDER AREA OVER 1.27um [.000050] MIN THICK NICKEL UNDERPLATE.
 INNER SHIELD - 0.25 [.010] THICK COPPER ALLOY PLATED WITH 2.03um [.000080] MIN BRIGHT TIN OVER 1.27um [.000050] MIN NICKEL.
 OUTER SHELL - 0.196[.0077] THICK COPPER ALLOY PLATED WITH 1.27um[.000050] MIN NICKEL. PCB GROUND TABS DIPPED WITH 2.03um[.000080] MIN TIN
- JACK CAVITY CONFORMS TO FCC RULES AND REGULATIONS, PART 68 SUBPART F.
- DATE CODE LOCATED ON REAR OF PART APPROXIMATELY AS SHOWN:
 FIRST 2 DIGITS ARE LAST 2 DIGITS OF YEAR, SECOND 2 DIGITS ARE MANUFACTURING WORK WEEK, LAST DIGIT IS DAY OF WEEK, WITH SUNDAY = 1.
- PARTS PACKAGED IN SEALED BAGS WITH DESICCANT
- PARTS SUITABLE FOR LEAD FREE REFLOW PROCESSING TO 260° C



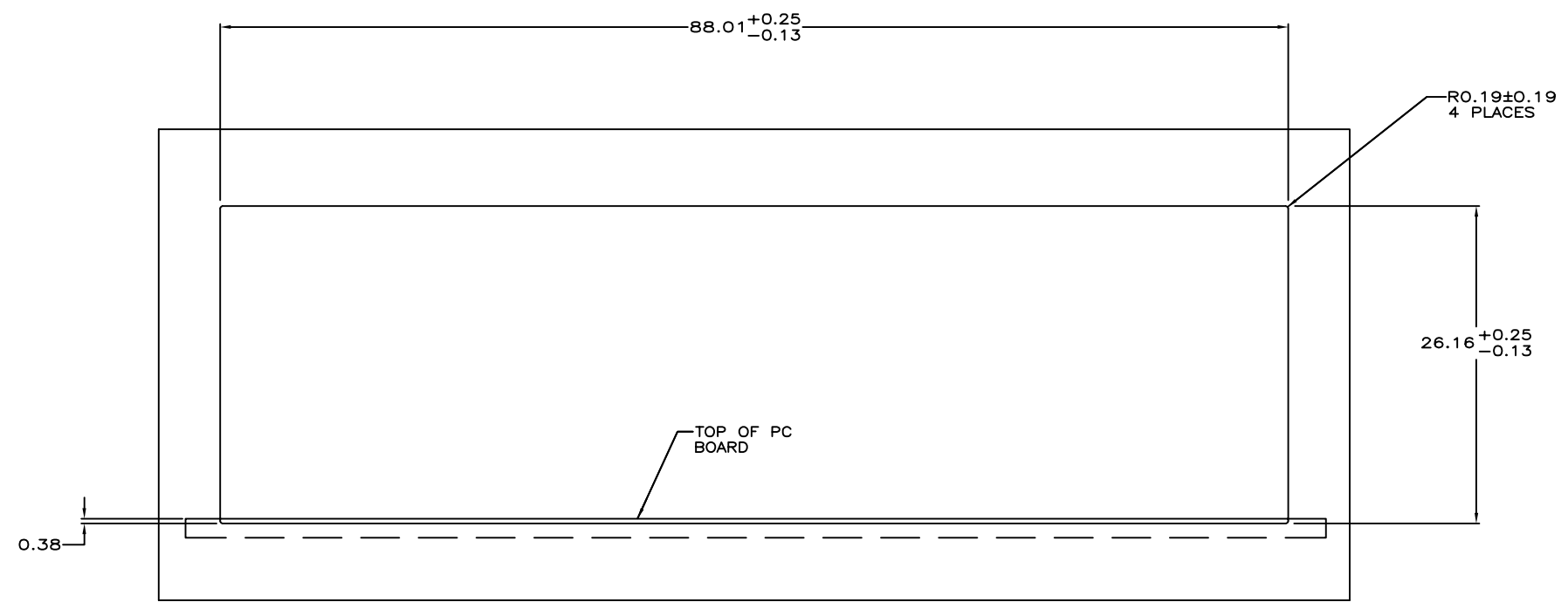
PARTIAL REAR VIEW

THIS DRAWING IS A CONTROLLED DOCUMENT.		DRN	L VARELA - DOCK5	DRG	08/18/2008	Tyco Electronics Corporation Harrisburg, PA 17105-3608	
DIMENSIONS: mm		DRN	J WESTMAN	DRG	08/18/2008	NAME S FLICKINGER	
TOLERANCES UNLESS OTHERWISE SPECIFIED:		APP	S FLICKINGER	DRG	08/18/2008	PRODUCT SPEC 108-1163-2	
0 PLC	± .00	APP	S FLICKINGER	DRG	08/18/2008	APPLICATION SPEC 114-2048	
1 PLC	± .01	SIZE	A1	CAGE CODE	00779	DRAWING NO	C=2007023
2 PLC	± 0.13	WEIGHT	-	RESTRICTED TO	-		
3 PLC	± .01	CUSTOMER DRAWING		SCALE	4:1	SHEET	1 OF 2
4 PLC	± .01			REV	B2		
5 PLC	± .01						
6 PLC	± .01						
ANGLES	± .01						

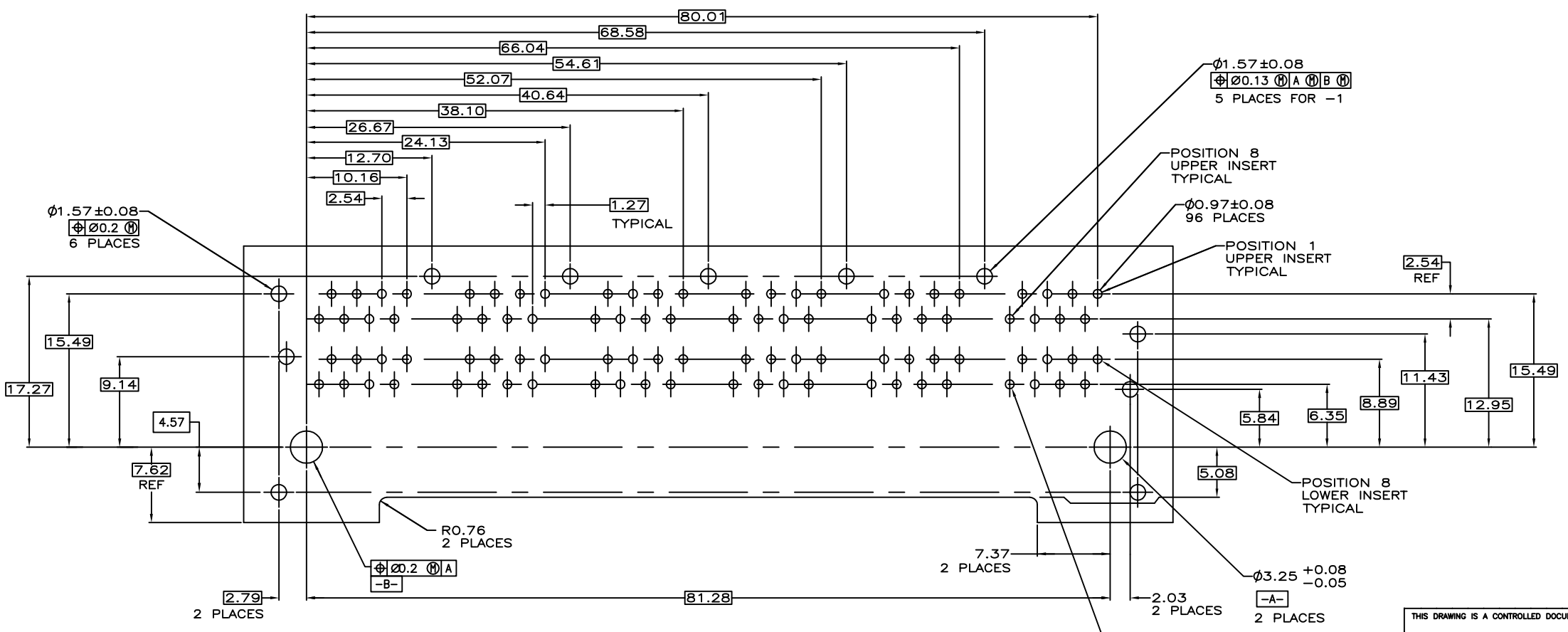
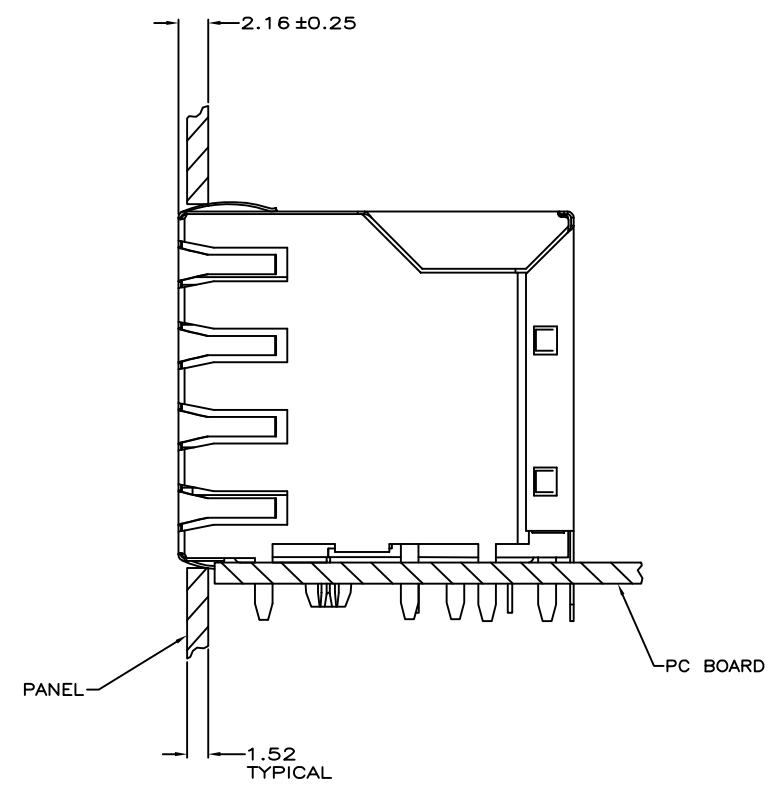
2007023-1
PART NUMBER

THIS DRAWING IS UNPUBLISHED. RELEASED FOR PUBLICATION
 © COPYRIGHT BY TYCO ELECTRONICS CORPORATION. ALL RIGHTS RESERVED.

LOC	DIST	REVISIONS			
P	LN	DESCRIPTION	DATE	BY	APP'D
AA	00	SEE SHEET 1	-	-	-



SUGGESTED PANEL CUTOUT DIMENSIONS



PC BOARD LAYOUT VIEWED FROM COMPONENT SIDE

THIS DRAWING IS A CONTROLLED DOCUMENT.		DRW: L. VARELA - DOCK5	CHK: J. WESTMAN	APP: S. FLICKINGER	DATE: 08/19/2008	NAME: STACKED MODULAR JACK ASSEMBLY, 2x6 PORT, RJ45, SHIELDED, WAVE PANEL GROUNDS, CAT 5/GIGABIT ETHERNET
DIMENSIONS: mm		TOLERANCES UNLESS OTHERWISE SPECIFIED:		MATERIAL: -		FINISH: -
0 PLC	± 0.13	WEIGHT: -		SCALE: 4:1		SHEET 2 OF 2
1 PLC	± 0.13	CUSTOMER DRAWING		REV B2		
2 PLC	± 0.13					
3 PLC	± 0.13					
4 PLC	± 0.13					
5 PLC	± 0.13					
ANGLES	± 0.13					

Mouser Electronics

Authorized Distributor

Click to View Pricing, Inventory, Delivery & Lifecycle Information:

[TE Connectivity:](#)

[2007023-1](#)