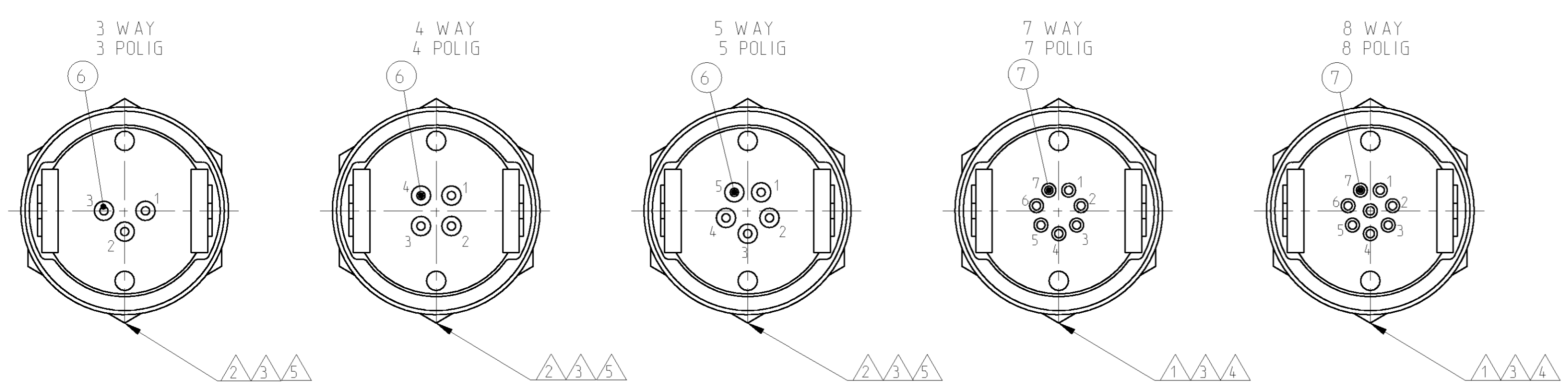
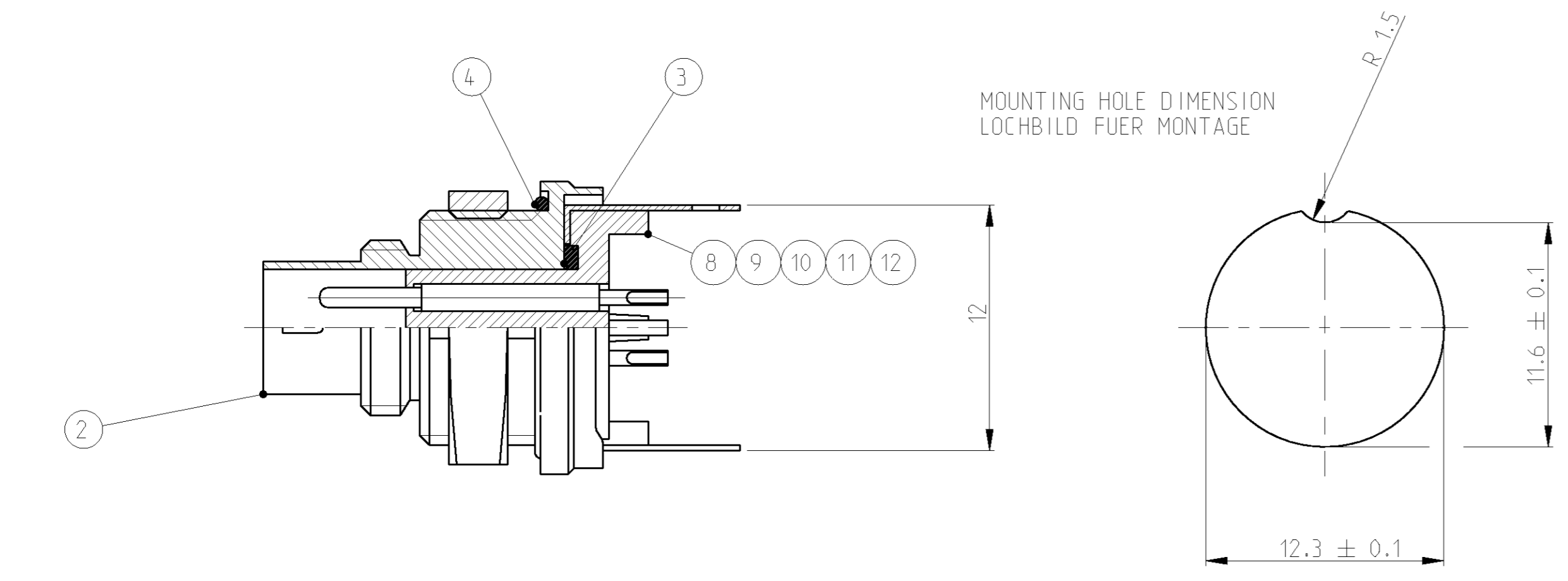
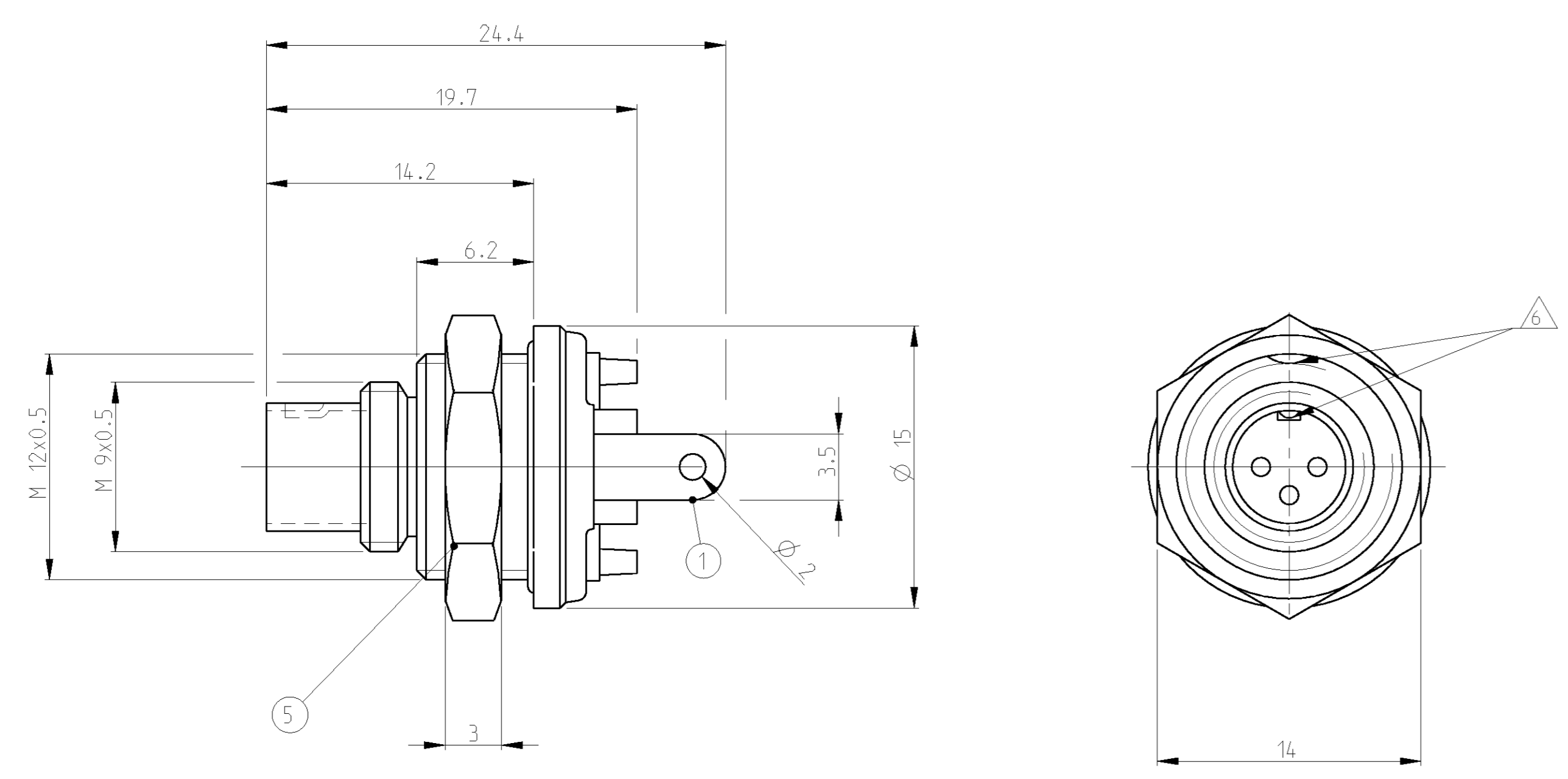


| LOC | REV | DATE        | DESCRIPTION      | DATE        | BY | APPV |
|-----|-----|-------------|------------------|-------------|----|------|
| A1  | -   | 19 JUN 2001 | EG00-0803-01     | 19 JUN 2001 | NG | GF   |
| A2  | -   | 06 DEC 2002 | DRAWING ADJUSTED | 06 DEC 2002 | NG | GF   |



|   |   |
|---|---|
| MATERIAL / MATERIAL: PBT, UL-94 V2  | △ |
| SHELL MATERIAL / GEHAUSEMATERIAL: CUZN  |   |
| FINISH / BESCHICHTUNG: TRIBOR 4 μm  |   |
| CODING / KODIERUNG  | △ |
| WIRE GAGE / DRAHTGROESSE IN mm <sup>2</sup> : 0.25                            | △ |
| WIRE GAGE / DRAHTGROESSE IN mm <sup>2</sup> : 0.14                            | △ |
| CONTACT RESISTANCE / KONTAKTWIDERSTAND: => 5 mΩ                               | △ |
| RATED CURRENT PER CONTACT / NENNSTROM PRO KONTAKT: 3 A                        | △ |
| RATED CURRENT PER CONTACT / NENNSTROM PRO KONTAKT: 1 A                        | △ |
| SHELL PROTECTION CLASS / SCHUTZKLASSE: IP 65 / DIN 40050                      |   |
| TERMINATION: SOLDERING / VERBINDUNG: LOETKONTAKTE                             |   |
| TEST VOLTAGE / PRUEFSPANNUNG: 500 VAC   |   |
| OPERATING VOLTAGE / BETRIEBSSPANNUNG: 60 VAC                                  |   |
| OPERATING TEMPERATURE: -40°C TO +80°C /<br>ARBEITSTEMPERATUR: -40°C BIS +80°C |   |
| MATING CYCLES / STECKZYKLEN: 500 MAX.   |   |
| TECHNICAL DATA<br>TECHNISCHE DATEN  |   |



| TYCO-NO. / TYCO NR. | QTY REQD PER ASSY | DESCRIPTION /<br>BESCHREIBUNG                         | ITEM-NO.<br>TEIL-NR. |
|---------------------|-------------------|---|----------------------|
| 9-1437719-3         | 1                 | INSULATION TUBE 8 POS. / ISOLIERHUELSE 8 POL.         | 12                   |
| 9-1437719-0         | 1                 | INSULATION TUBE 7 POS. / ISOLIERHUELSE 7 POL.         | 11                   |
| 8-1437719-7         | 1                 | INSULATION TUBE 5 POS. / ISOLIERHUELSE 5 POL.         | 10                   |
| 8-1437719-4         | 1                 | INSULATION TUBE 4 POS. / ISOLIERHUELSE 4 POL.         | 9                    |
| 8-1437719-1         | 1                 | INSULATION TUBE 3 POS. / ISOLIERHUELSE 3 POL.         | 8                    |
| 8 7                 |                   | PIN APPLIED BY PRESSURE /<br>STIFTKONTAKT EINGEPRESST | 7                    |
| 5 4 3               |                   | PIN APPLIED BY PRESSURE /<br>STIFTKONTAKT EINGEPRESST | 6                    |
| 1 1 1 1 1           |                   | NUT / MUTTER  | 5                    |
| 1 1 1 1 1           |                   | SEAL / DICHTUNG                                       | 4                    |
| 1 1 1 1 1           |                   | SEAL / DICHTUNG                                       | 3                    |
| 1 1 1 1 1           |                   | HOUSING / GEHAUSE                                     | 2                    |
| 1 1 1 1 1           |                   | GROUND ON SOLDER FLAG<br>FAHNE FUER MASSEVERBINDUNG   | 1                    |
| - - - - -           |                   | REVISION OF EACH ASSY NO. (WHEN BLANK, USE DWG REV.)  |                      |
| T01-0580-P08        |                   | PARTS LIST /<br>TEILE LISTE                           |                      |
| T01-0580-P07        |                   |   |                      |
| T01-0580-P05        |                   |   |                      |
| T01-0580-P04        |                   |   |                      |
| T01-0580-P03        |                   |   |                      |

8-1437719-1 AS SHOWN  
WIE GEZEICHNET

|                                      |  |   |  |
|--------------------------------------|--|---|--|
| DIMENSIONS:<br>MASSENMETREN:<br>(mm) | TOLERANCES, UNLESS<br>OTHERWISE SPECIFIED:<br>ALL DIMENSIONS | DWN:<br>H. SCHERER<br>DATE:<br>19 JUN 2001    | tyco Electronics AMP GmbH<br>D - 64625 Bensheim  |
| MATERIAL:<br>-                       | FINISH:<br>-   | APVD:<br>G. FELDMAYER<br>DATE:<br>19 JUN 2001 | NAME:<br>T01 MALE PLUG CONN. PANEL MNT. SOLDER VER. 3-8 POS. 180 DGR.<br>T01 STIFTSTECKER-EINBAU-LOETVERS. 3-8 POL. 180 GRAD |
| PRODUCT SPEC:<br>VERARBEITUNGSSPEZ.  | APPLICATION SPEC:<br>VERARBEITUNGSSPEZ.                      | WEIGHT:<br>BEWICHT: -                         | SIZE: A1<br>CAGE CODE: 00779<br>DRAWING NO.: 8-1437719-1<br>RESTRICTED TO:<br>NUR FUER: -                                    |
| CUSTOMER DRAWING                     |  |   | SCALE: -<br>SHEET: 1 OF 1<br>REV: A2   |

# Mouser Electronics

Authorized Distributor

Click to View Pricing, Inventory, Delivery & Lifecycle Information:

[TE Connectivity:](#)

[6-1437719-6](#) [8-1437719-1](#) [8-1437719-7](#)