



Web Site: www.parallax.com
Forums: forums.parallax.com
Sales: sales@parallax.com
Technical: support@parallax.com

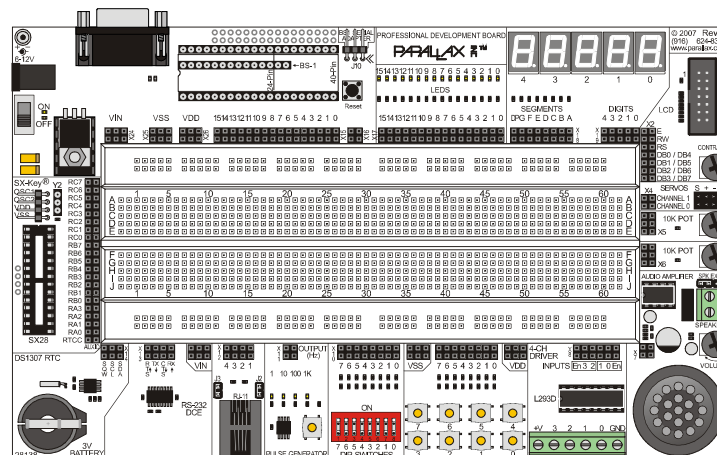
Office: (916) 624-8333
Fax: (916) 624-8003
Sales: (888) 512-1024
Tech Support: (888) 997-8267

Professional Development Board (#28138)

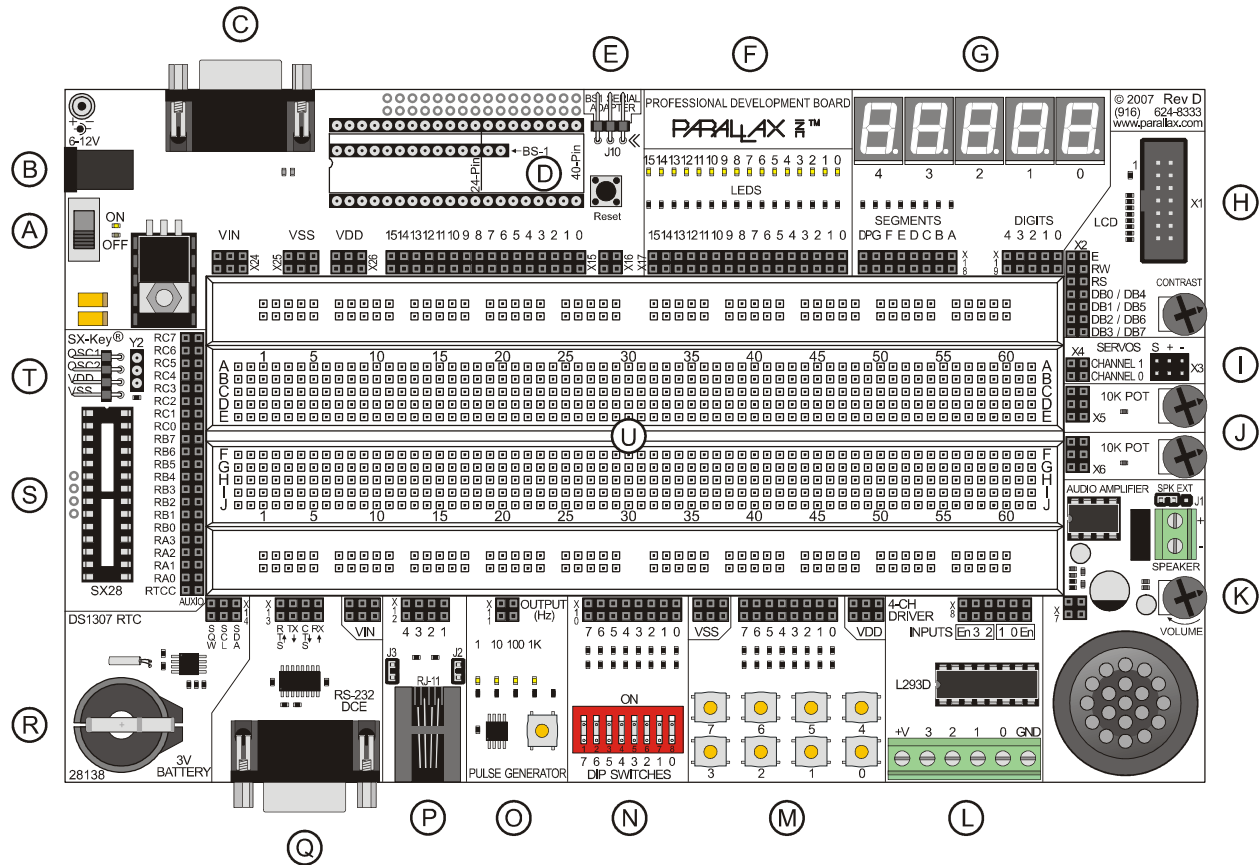
The Parallax Professional Development Board (PDB) is high-quality, fully-integrated development platform for BASIC Stamp[®], Javelin Stamp[™], and SX28AC/DP microcontrollers. A wide variety of typical I/O (LEDs, LCD interface, buttons, etc.) devices and circuitry are built into the PDB, providing the developer with an ideal platform for rapid microcontroller project development.

Features

- 40-pin DIP socket (for BASIC Stamp 2 series and Javelin Stamp modules)
- 14-pin SIP socket (for BS1-IC)
- 28-pin "skinny" DIP socket (for SX28AC/DP)
- USB, DB-9, BS1, and SX-Key programming connectors
- 2.1 mm, center-positive connector for DC power
- 5 volt, 1.0 amp power-supply with power switch
- 16 discrete LEDs
- Five 7-segment (with decimal point), common-cathode LED displays
- Parallel LCD interface may be configured in 4-bit or 8-bit mode
- Two servo-compatible headers
- Two 10 k Ω potentiometers
- Audio amplifier with built-in speaker; with switch for external speaker
- L293D high-current driver for motors, solenoids, etc.
- Eight, normally-open pushbuttons (I/O lines protected, and pulled-up to Vdd via 10K)
- Eight DIP switches (I/O lines protected, and pulled-up to Vdd via 10K)
- Pulse generator with selectable frequency (1 Hz, 10 Hz, 100 Hz, or 1 kHz)
- RJ-11 connector; configurable for X-10 and 1-Wire[®] communications
- RS-232 DCE port with MAX232E transceiver
- DS1307 (I²C[®]) real-time-clock with 3v back-up battery (pre-installed)



PDB Power and Programming Connections



- A) Power switch
- B) 2.1 mm power connection, center positive, input voltage 6-12 VDC
- C) Serial programming interface, DB-9
- D) BS1-IC, BS2-224, BS2-40 and Javelin Stamp sockets
- E) BS1 Serial Adapter connection
- F) Sixteen blue discrete LEDs
- G) Five blue 7-segment LED displays
- H) Parallel LCD interface with contrast pot (4/8-bit modes supported)
- I) Two servo headers (can also be used for Parallax Serial LCD displays and PING) sensor)
- J) Two 10K potentiometers
- K) Audio amplifier with volume control (speaker on-board/ext selectable)
- L) L293D high-current quad half-H driver
- M) Eight active-low push-buttons with 5V pull-ups
- N) Eight active-low DIP switches with 5V pull-ups
- O) Pulse generator with 1Hz, 10Hz, 100Hz and 1kHz selectable output
- P) RJ-11 connector for X-10 or 1-Wire I/O
- Q) MAX232E RS-232 DCE line driver
- R) DS1307 I²C real-time clock with 3V battery backup
- S) SX28AC/DP socket
- T) SX-Key/SX-Blitz programming connection
- U) Solderless breadboard for connecting external components

Questions & Answers

- Q: Does the PDB replace the NX-1000 boards?
A: Yes; all the most popular features of the previous NX-1000s – plus more – have been incorporated into the PDB at a lower cost.
- Q. I'm kind of new ... can I harm my BASIC Stamp or the PDB by making a wiring or programming mistake?
A. The truthful answer is Yes, however, the PDB has been designed with inline resistors connected to those points where a wiring or programming mistake would normally cause damage. If you're new, go slowly and double-check your connections before moving the power switch to ON.
- Q. Where do I get technical information on the components used?
A. You can find technical information on BASIC Stamp, Javelin Stamp, and SX28AC/DP microcontrollers at www.parallax.com. For other components (i.e., L293D, MAX232E, etc.), an Internet search (try www.google.com) will help you locate the latest technical information and application notes from the manufactures of those components.
- Q. Can I use PDB to run the StampWorks experiments?
A. Yes. StampWorks v2.1 was written for the PDB. Most experiments from StampWorks v1.2 and earlier can also be run on the PDB.
- Q. I want to experiment with Dallas/Maxim iButton[®] products; is there anything else I'll need?
A. You'll need a "Blue Dot Receptor" cable.
- Q. Can I use the PDB to develop BS1 projects?
A. Yes!
- Q. Do I need the BS1 Serial Adapter to program the BS1-IC?
A. Yes, there is a separate programming header used to program the BS1-IC.
- Q. Can I use the PDB for Javelin Stamp projects?
A. Yes, the PDB is an excellent development platform for the Javelin Stamp.
- Q. Since the SX28AC/DP has its own socket, can I have it installed when I'm using a BASIC Stamp or Javelin Stamp microcontroller?
A. Yes – except when using the BS2p40 which uses the SX's RB and RC connectors for some pins.
- Q. What is the VIN terminal, and how do I use it?
A. The VIN terminal is the input voltage to the PDB (usually 12 volts). This can be used to provide a high-voltage common for devices like stepper motors that are controlled via the L293D push-pull driver.



CAUTION: Do not connect any VIN terminal directly to any pin of the BASIC Stamp, Javelin Stamp, or SX28AC/DP module; doing so will cause damage to or destroy the module. And do not connect VIN to any of the VDD or VSS terminals as this may damage the voltage regulator of the PDB.

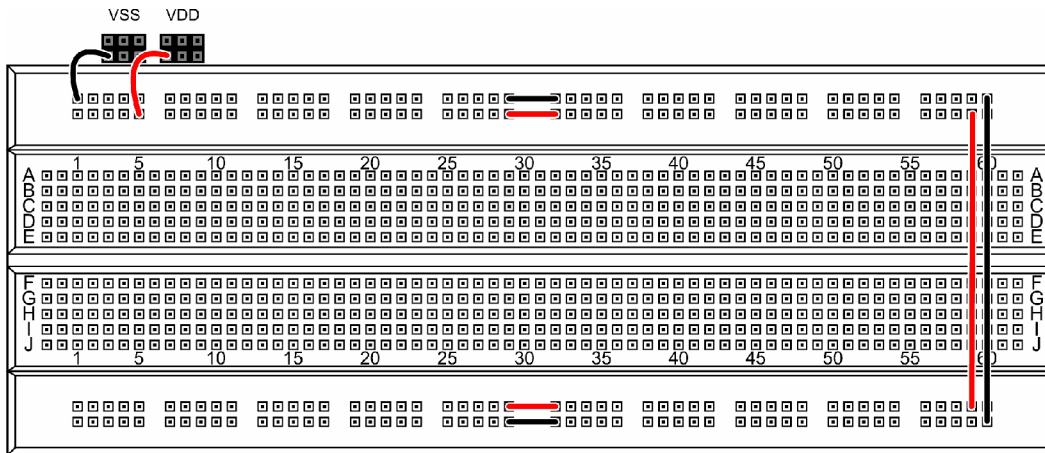
The purpose of the VIN terminal is to provide +12 volts (the typical input voltage to the PDB) to external devices like relays, incandescent lamps, and stepper motors that are control via the L293D push-pull driver.

Resources and Downloads

You may download the schematic for the PDB free from our website by typing in the product number (28138) into our search box. Please refer to the PDB schematic for detailed information about each circuit on the board. For additional information on some of the integrated circuits included on the PDB, such as the L293D, DS1307, LM386 or MAX232E, please download the manufacturer's datasheet from their respective websites. You can also search Google for this information as well as additional application notes.

Solderless Breadboard

Most experiments will involve components placed in the solderless breadboard. Before the breadboard is used, power busses should be installed. Using 22-gauge solid wire (also suggested for circuit connections), connect the buss rails as suggested below. By using looped wires to connect the power busses to Vdd and Vss, one or both can be used as an "emergency switch" to remove power from the breadboard if required.



Installing Microcontroller Modules

Three sets of sockets are provided that allow the PDB to accommodate the BS1-IC module, the 24 or 40-pin BASIC Stamp modules, the 24-pin Javelin Stamp module, as well as the SX28AC/DP microcontroller. The SX28 socket is mechanically separated from the other modules and allows the SX28AC/DP to run with all BASIC Stamp and Javelin Stamp modules except the BS2p40. The table below lists socket and electrical compatibility, and which modules can be connected and used at the same time.

	BS1-IC	BS2-24¹	BS2p40	Javelin	SX28AC/DP
BS1-IC		No	No	No	Yes
BS2-24¹	No		No	No	Yes
BS2p40	No	No		No	No
Javelin Stamp	No	No	No		Yes
SX28AC/DP	Yes	Yes	No	Yes	

1. Includes BS2-IC, BS2e-IC, BS2sx-IC, BS2p24-IC, BS2pe-IC, BS2px-IC

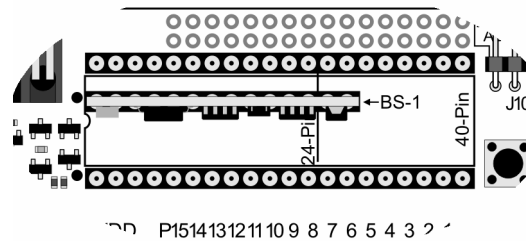
Microcontroller Module Compatibility

The sections that follow give details on installing the various microcontroller modules compatible with the PDB. Before proceeding, move the power switch to the OFF position and remove the input power connection.

Using the BS1-IC Module

To install the BS1-IC, an installed BASIC Stamp or Javelin Stamp module must be removed. Carefully align the pins of the BS1-IC module with the SIP socket such that the BS1-IC components are oriented toward the solderless breadboard as shown in the illustration at right. The BS1-IC can be programmed through a standard serial port when using the BS1 Serial Adapter (#27111, available separately).

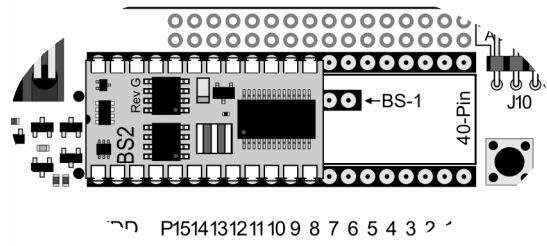
Note: The BS1-IC module may be used in conjunction with an installed SX28AC/DP micro.



Using a 24-pin BASIC Stamp or Javelin Stamp Module

To install a 24-pin BASIC Stamp or Javelin Stamp module, an installed BS1-IC module must be removed. Carefully align the pins of the 24-pin module noting the Pin 1 dot on the PDB as shown in the illustration at right.

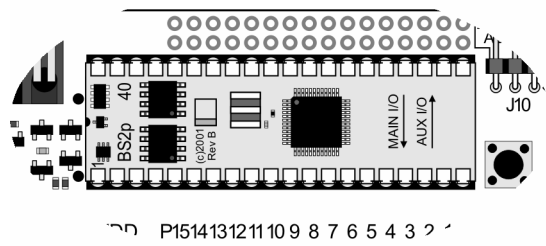
The 24-pin BASIC Stamp or Javelin Stamp module can be programmed through a standard serial port. A 24-pin BASIC Stamp and Javelin Stamp modules may be used in conjunction with an installed SX28AC/DP micro.



Using the BS2p40 Module

To install a BS2p40 module, an installed BS1-IC module *and the SX28AC/DP must be removed*. Carefully align the pins of the 40-pin module noting the Pin 1 dot on the PDB as shown in the illustration at right.

The BS2p40 module can be programmed through a standard serial port.



CAUTION: The SX28AC/DP micro *must be removed* before installing and using the BS2p40. Having both modules installed at the same time could cause an I/O pin conflict that could lead to damage to one or both of the modules.

BS2p40 Pin Connections

Due to the physical pin configuration of the BS2p40, connections to the MAINIO (M) and AUXIO (A) pins are distributed between the BASIC Stamp and SX28AC/DP connectors. Use the tables below when using the BS2p40 on the PDB.

M0	M1	M2	M3	M4	M5	M6	M7
P0	P1	P2	P3	P4	P5	P6	P7

M8	M9	M10	M11	M12	M13	M14	M15
RB0	RB1	RB2	RB3	RB4	RB5	RB6	RB7

A0	A1	A2	A3	A4	A5	A6	A7
RC0	RC1	RC2	RC3	RC4	RC5	RC6	RC7

A8	A9	A10	A11	A12	A13	A14	A15
P8	P9	P10	P11	P12	P13	P14	P15

Circuit Diagrams

The sections that follow describe the various circuits on the PDB, and provide hints and guidance for their use.

Discrete LEDs (X17)

The PDB is equipped with 16 discrete LEDs, wired in an active-high configuration as shown at right. To illuminate an LED, drive its control pin (on X17) high.

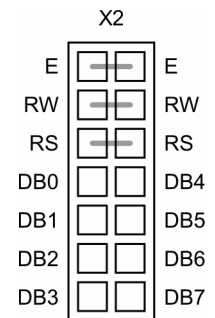
7-Segment LED Displays (X19 and X18)

The PDB is equipped with five common-cathode, 7-segment LED displays. To illuminate a segment, that segment (on X18) is driven high and the associated digit control line (on X19) is driven low (or connected to Vss). Note that the displays are designed to be multiplexed (the segment lines are shared), hence a suitable multiplexer like the MAX7219 or MC14489 should be used for BASIC Stamp or Javelin Stamp applications. For simple, single-digit displays the digit control line may be connected directly to Vss.

Parallel LCD Connector (X2)

Box header X1 provides the connection for an HD44780-compatible LCD module. Connection to the circuit is made via X2. Note that X2 is configured such that the LCD data buss (DB0 – DB7) is split, and the E, RW, and RS lines have dual connections as shown in the diagram at right.

This configuration allows both 4- and 8-bit LCD applications to be developed. The potentiometer located near X1 is used to adjust LCD display contrast.

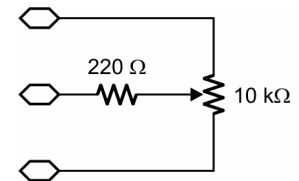


Servo Headers (X4)

Headers X4 may be used to connect standard hobby servos to the PDB. Devices with the same pin configuration (Signal / Vdd / Vss) may also be connected to these headers. Compatible devices include the Parallax serial LCD module and Ping))) ultrasonic rangefinder.

10 kΩ Potentiometer (X5 and X6)

Two 10 kΩ potentiometers are provided via X5 and X6. A 220 Ω series resistor is placed inline with the wiper connection to prevent an I/O pin from being connected directly to Vdd or Vss.



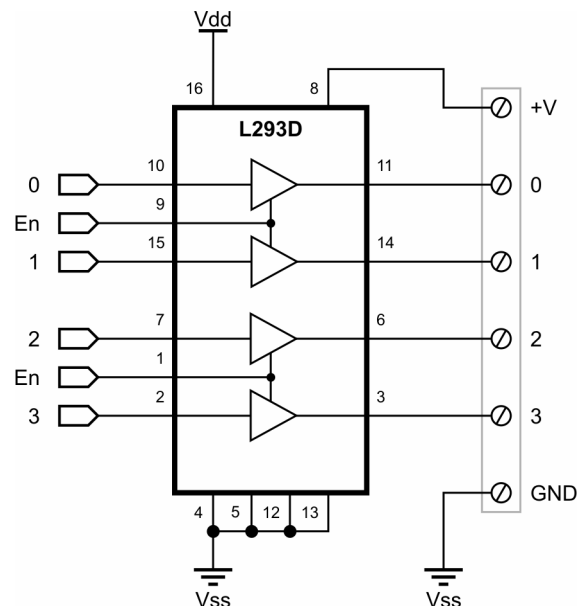
Audio Amplifier (X7)

The onboard audio amplifier includes a filter circuit that is ideal for commands like SOUND (BS1 and SX/B), FREQOUT (BS2-family and SX/B), and DTMFOUT (BS2-family). A jumper allows the use of an external 8 Ω speaker when additional volume is required.

L293D Push-Pull Driver (X8)

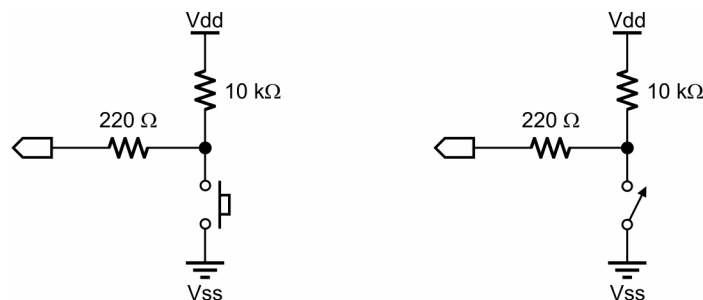
The L293D push-pull driver allows the experimenter to control high-current devices like relays, solenoids lamps and motors to the PDB. Its push-pull configuration (which means it can sink or source current on its output pins) with active-high enable inputs makes it ideal for creating h-bridge motor driver circuits, or for driving unipolar and bipolar stepper motors. Note that the output-high voltage must be supplied to the V+ terminal.

When the enable inputs are high the outputs will follow the inputs, otherwise the outputs will be in a Hi-Z state. See the L293D documentation (available separately) for additional details on use and configuration.



Pushbuttons and DIP Switches (X9 and X10)

Eight normally-open pushbuttons and eight DIP switches are made available via connectors X9 and X10. The buttons and the switches are wired in an active-low configuration, with an I/O pin protection resistor as shown in the illustration below.

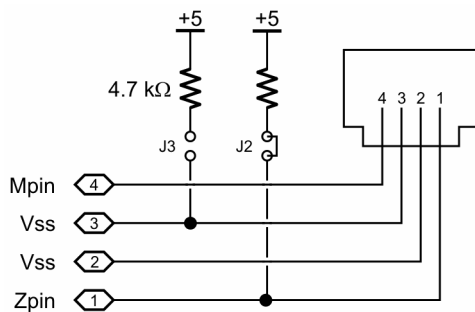


Pulse Generator (X11)

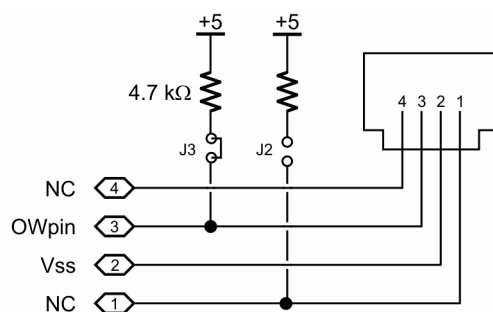
The PDB pulse generator provides a selectable square-wave output of 1 Hz, 10 Hz, 100 Hz, and 1 kHz. Frequency selection is by the push-button near the pulse generator output (an LED indicates current frequency). Be sure that the output of the pulse generator is connected to an input pin only, as this output is driven both high and low.

RJ-11 Connector (X12)

The RJ-11 connector may be configured for both X-10 output and Maxim/Dallas 1-Wire I/O. For X-10 output when using a PL-513 or TW-523 interface, configure the RJ-11 port as shown on the left (J2 in, J3 out). For 1-Wire I/O using a Blue Dot Receptor, configure the RJ-11 port as shown on the right (J3 in, J2 out).



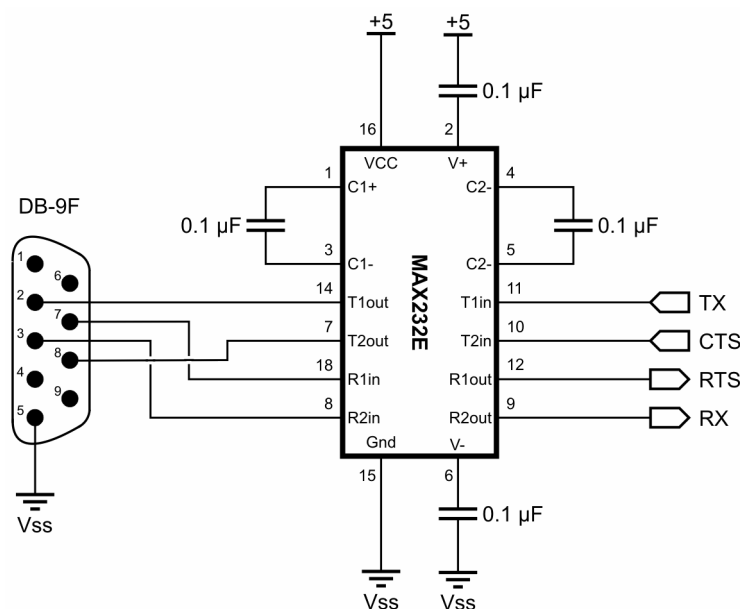
X10 Output



1-Wire I/O

RS-232 DCE Port (X13)

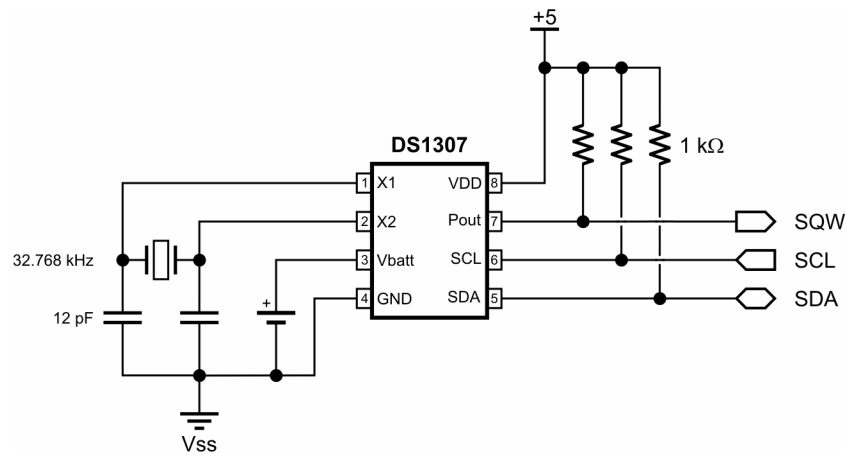
The RS-232 DCE port allows your project to communicate with a PC or other DTE devices. The implementation of the DCE port on the PDB allows for full flow-control (both transmit and receive). Note that the pin names refer to function, hence X13-RX will connect to the receive pin (e.g., SERIN) of your project.



DS1307 Real-Time-Clock (X14)

The DS1307 is a real-time-clock that also contains 56 bytes of battery-backed RAM. Data transfer between the host micro and the DS1307 is with the Philips I²C protocol which is directly supported by the BS2p-family (with I2CIN and I2COUT), as well as the SX/B compiler (with I2CSTART, I2CSEND, I2CRECV, and I2CSTOP). For other BASIC Stamp 2 members as well as the Javelin Stamp, I2C routines can be synthesized using other instructions.

In addition to the SDA (serial data) and SCL (serial clock) connections, the SQW (programmable square wave output) is provided at X14.



Using a Ceramic Resonator with the SX28AC/DP (Y1)

When programming and debugging an SX28AC/DP project the clock for the SX28AC/DP will be provided by the SX-Key. For stand-alone testing, remove the SX-Key and install an appropriate 3-pin ceramic resonator into socket Y1.

Board Dimensions

9" W x 5-1/4" H x 3/4" D (23 cm x 13.5 cm x 2 cm)

Example Code

Parallax provides a multitude of example programs in the form of technical documentation and educational materials. The following sources are available online, and may already be available on your system (help files).

- *Stamps In Class* books
- StampWorks Manual
- BASIC Stamp Syntax and Reference Manual
- BASIC Stamp Editor online Help files
- Javelin Stamp Manual
- SX/B online Help file
- Nuts & Volts magazine "*Stamp Applications*" column archives at www.parallax.com

Accessories (Available Separately)

- BASIC Stamp 1 module #BS1-IC
- BASIC Stamp 2 module #BS2-IC
- BASIC Stamp 2e module #BS2E-IC
- BASIC Stamp 2sx module #BS2SX-IC
- BASIC Stamp 2p 24-pin module #BS2P24-IC
- BASIC Stamp 2p 40-pin module #BS2P40-IC
- BASIC Stamp 2pe module #BS2PE-IC
- BASIC Stamp 2px module #BS2PX-IC
- Stamp Collection #020-78267
- Javelin Stamp module #JS1-IC
- SX28AC/DP microcontroller #SX28AC/DP
- 50 MHz resonator #250-05060
- 20 MHz resonator #250-02060
- 4 MHz resonator #250-04050
- 12 VDC, 1 Amp power supply #750-00007
- 9 VDC, 300 mA power supply #750-00008
- 7.5 VDC, 1 Amp power supply #750-00009
- Serial Cable #800-00003
- BS1 Serial Adapter #27111
- SX-Key USB Programmer #45214
- SX-Blitz USB Programmer #45170
- 2x16 Parallel LCD #603-00006
- Servo, Standard #900-00005
- Servo, Continuous Rotation #900-00008
- 2x16 Serial LCD, Standard #27976
- 2x16 Serial LCD, Backlit #27977
- 4x20 Serial LCD, Backlit #27979
- Ping))) Ultrasonic Rangefinder #28015
- 4-Phase / 12 Volt Unipolar Stepper Motor #27964

Mouser Electronics

Authorized Distributor

Click to View Pricing, Inventory, Delivery & Lifecycle Information:

[Parallax:](#)

[28031](#)