

4

3

2

1

THIS DRAWING IS UNPUBLISHED.

RELEASED FOR PUBLICATION

20

© COPYRIGHT 20

BY TYCO ELECTRONICS CORPORATION. ALL RIGHTS RESERVED.

LOC	DIST	REVISIONS				
P	LTR	DESCRIPTION	DATE	DWN	APVD	
ES	00	AI	REVISED ECR-08-002404	28JAN08	L.L	S.Y

8.20
2.0
2.0
PICK UP AREA

1 MATERIAL:
CONTACT: COPPER ALLOY.
HOUSING: THERMOPLASTIC BLACK LCP OR EQUIVALENT, UL 94V-0.

2 FINISH: 15 MICROINCH (0.38 MICRON) GOLD PLATING ON CONTACT AREA,
GOLD FLASH PLATING ON SOLDER AREA,
OVER 50 MICROINCH (1.27 MICRON) NICKEL PLATING OVERALL.

3 PRODUCT TO BE PACKAGED IN ANTI-STATIC TAPE AND REEL.

4 NORMAL FORCE IS 80g MIN. WHEN A CONTACT PRESSED TO THIS POSITION.

1932076-1 AS SHOWN

0.20±0.05
3.00 X 2 = 6.00
1.85^{+0.05}_{-0.10}
3.10
0.05

5.0 MAX.
0.90 MAX.
3.7
3.4
2.40
3.3
5.4
5.6
5.0
1.30
3 PLC
3.00
TYP
1.85
2.60
1.30
1.50
TYP
1.30
2 PLC
8.20
CONN. PROFILE
RECOMMENED PCB LAYOUT
(TOLERANCE ±0.05)

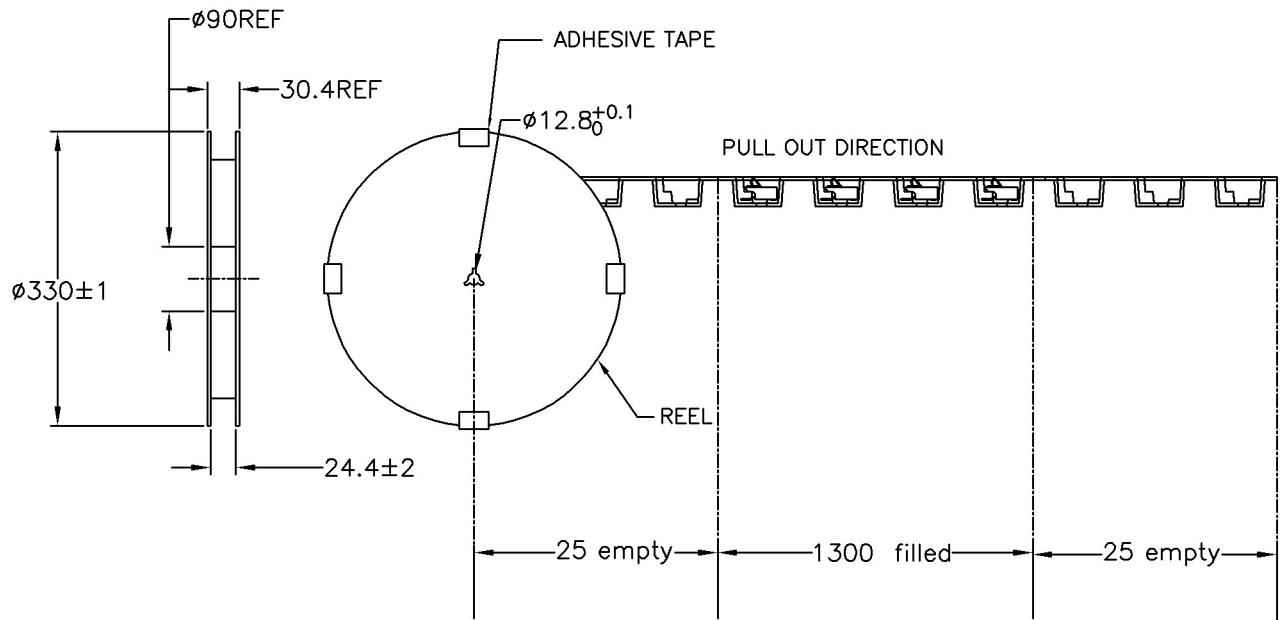
0.60
1.0
1.5

DIMENSIONS:		TOLERANCES UNLESS OTHERWISE SPECIFIED:		DWN		Tyco Electronics	
mm				Lesson Li		Shanghai, P.R.China, 200233	
		0 PLC	±-	CHK	06-NOV-07	NAME 3.0mm PITCH 3 PIN SMT TYPE BATTERY CONNECTOR HEIGHT=3.15mm	
		1 PLC	±0.2	Wenke He	06-NOV-07		
		2 PLC	±0.10	APVD	06-NOV-07		
		3 PLC	±0.05	STEVEN YAO			
MATERIAL		FINISH		PRODUCT SPEC		SIZE	
SEE NOTES		SEE NOTES		108-60068		A3	
1		2 3		APPLICATION SPEC		CAGE CODE	
				-		0079	
				WEIGHT		DRAWING NO	
				-		C=1932076	
				CUSTOMER DRAWING		RESTRICTED TO	
						-	
				SCALE		SHEET	
				10:1		1 OF 2	
				REV		A1	

AMP 1470-19 REV 31MAR2000

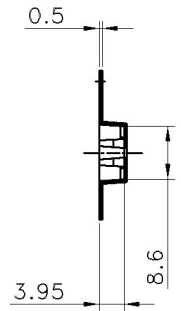
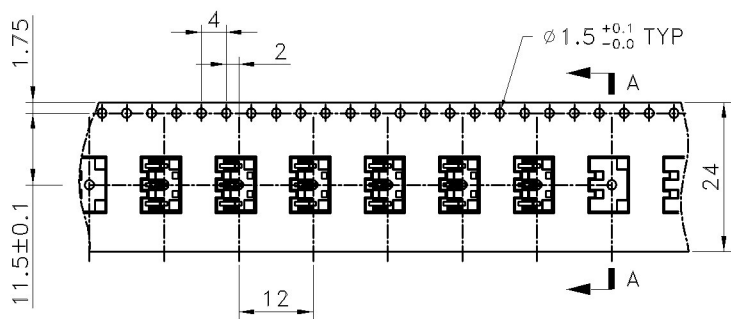
THIS DRAWING IS UNPUBLISHED. RELEASED FOR PUBLICATION 06 2007.
 © COPYRIGHT 2007 BY TYCO ELECTRONICS CORPORATION. ALL RIGHTS RESERVED.

LOC	DIST	REVISIONS					
ES	00	P	LTR	DESCRIPTION	DATE	DWN	APVD
		-		SEE SHEET 1	-	-	-



1932076-1, AS SHOWN

1. PEELING RESISTANCE: 0.1 TO 0.7N
2. PEELING SPEED : 300MM/MINUTES
3. PRIMARY PACKING: 1300 EA PER REEL



SECTION A-A

THIS DRAWING IS A CONTROLLED DOCUMENT.		DWN	LESSON.LI	28JAN2008	Tyco Electronics Corporation Shanghai, P.R.China, 200233		
		CHK	WENKE.HE	28JAN2008			
DIMENSIONS: mm		TOLERANCES UNLESS OTHERWISE SPECIFIED:		APVD	NAME		
		0 PLC ± 0.5		STEVEN.YAO	3.0mm PITCH 3 PIN SMT TYPE BATTERY CONNECTOR		
		1 PLC ± 0.3		PRODUCT SPEC	HEIGHT=3.15mm		
		2 PLC ± 0.3		APPLICATION SPEC	SIZE	CAGE CODE	DRAWING NO
		3 PLC ± 0.3			A3	0079	1932076
		4 PLC ± 0.3		WEIGHT	RESTRICTED TO		
		ANGLES ± 3'			-		
MATERIAL	-	FINISH	-	CUSTOMER DRAWING			
				SCALE	2:1	SHEET	2 OF 2
				REV	A1		

Mouser Electronics

Authorized Distributor

Click to View Pricing, Inventory, Delivery & Lifecycle Information:

[TE Connectivity:](#)

[1932076-1](#)