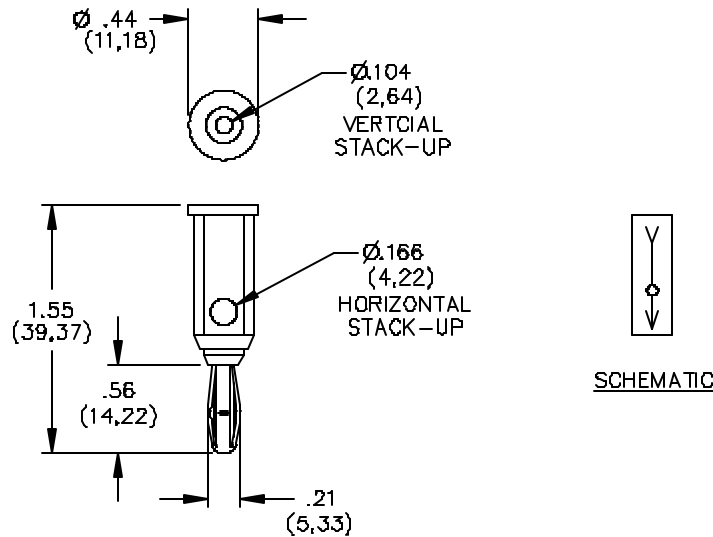


## Model 2477 Miniature Banana Jack To Standard Banana Plug Adapter



### FEATURES:

- Permits miniature banana plug to be used with equipment having standard banana jacks.
- Cross stacking banana plug.

### MATERIALS:

Upper Conn.:

Miniature Banana Jack

Body: Brass per QQ-B-626, Alloy 360,  
1/2 Hard.

Finish: Nickel plate per QQ-N-290 Class 2  
(.0002/.0003)

Insulation: ABS molded to miniature banana  
jack and banana plug body.

Color: See Ordering Information.

Marking: "POMONA ELECTRONICS CALIF.  
2477".

Lower Conn.:

Standard Banana Plug:

Spring: Beryllium Copper per QQ-C-533,  
Berylco 25, Cond. H.T.

Plug body: Brass per QQ-B-626, Alloy 360, 1/2/Hard.  
Finish: Nickel plate per QQ-N-290 Class 2  
(.0002/.0003).

### RATINGS:

Operation Temperature: +50°C. (+122°F.)

Operating Voltage: 2500 VRMS

Current: 5 Amperes Cont.

### ORDERING INFORMATION: Model 2477-\*

\*=Color, -0 Black, -2 Red

Ordering Example: 2477-2 Adapter color is Red

All dimensions are in inches. Tolerances (except noted): .xx = ±.02" (.51 mm), .xxx = ± .005" (.127 mm).

All specifications are to the latest revisions. Specifications are subject to change without notice.

Registered trademarks are the property of their respective companies. Made in USA

# Mouser Electronics

Authorized Distributor

Click to View Pricing, Inventory, Delivery & Lifecycle Information:

Pomona:

[2477-0](#) [2477-2](#)