

## Features/Benefits

- Easy X, Y coding on single side PCB
- Positive/ smooth tactile feedback
- High temperature
- Wide variety of colors & styles
- Illuminated versions available
- RoHS compliant and compatible

## Typical Applications

- Video
- Electronic games
- Appliances



## Construction

FUNCTION: momentary  
 CONTACT ARRANGEMENT: 1 make contact (SPST), NO  
 DISTANCE BETWEEN BUTTON CENTERS, MIN.: 12,7 (0.500)  
 TERMINALS: PC pins

## Electrical

	Non-Illuminated	Illuminated
SWITCHING POWER MAX.:	3 VA	0.35 VA
SWITCHING VOLTAGE MAX.:	32 V DC	35 V DC
SWITCHING CURRENT MAX.:	100 mA DC	10 mA DC
OPERATING LIFE with max. switching power:	250 000 operations	Version F1: 100 000 operations Version F2: 30 000 operations
CONTACT RESISTANCE:	≤100 mΩ	≤200 mΩ
DIELECTRIC STRENGTH (50 Hz / 1 min):	250 V	
INSULATION RESISTANCE:	≥10 <sup>9</sup> Ω	
BOUNCE TIME:	≤10 ms	

## Mechanical

	Non-Illuminated	Illuminated
SWITCHING TRAVEL:	Version F1: 0.2 mm ≤ Te ≤ 1.0 mm Version F2: 0.3 mm ≤ Te ≤ 1.1 mm	0.4 mm ≤ Te ≤ 0.8 mm
OPERATING FORCE:	Version F1: 0.8N ≤ Fa ≤ 1.8N Version F2: 2.0N ≤ Fa ≤ 3.5N	Version F1: 0.8N ≤ Fa ≤ 1.8N Version F2: 1.5N ≤ Fa ≤ 2.5N

## Environmental

	Non-Illuminated	Illuminated
OPERATING TEMPERATURE:	-20°C to 85°C	-20°C to 60°C

## Process

SOLDERABILITY:  
 Wave soldering, compatible with lead free soldering profile  
 Hand soldering, 350°C for 3 seconds

## Packaging

The D6 switches are delivered in boxes containing 10 trays with 250 pieces each:  
 Total 2,500 pieces per box.  
 The D6 buttons are delivered in bulk with 2500 pieces per box.

# D6 SPST Momentary Key Switches

## How To Order

Our easy build-a-switch concept allows you to mix and match options to create the switch you need. To order, select desired option from each category and place it in the appropriate box.

### NON-ILLUMINATED

#### Switch

**Series**  
**D6C** Square  
**D6R** Round  
**D6L\*** Plunger  
**D6F\*\*** Flat

**Switch Color**  
**00** White  
**10** Gray  
**30** Yellow  
**40** Red  
**50** Green  
**60** Blue  
**90** Black

**Force**  
**F1** 1.3N (STD)  
**F2** 2.5N

RoHS compliant and compatible product

\*Available only in color 90 (black)  
 \*\* Available only in color 90 (black) and 00 (white)

#### Button

Buttons can be ordered separately  
 Shipped in bulk

D6 button for use with D6C only

**Series**  
**BTND6** Button

**Button Color**  
**00** White  
**10** Gray  
**30** Yellow  
**40** Red  
**50** Green  
**60** Blue  
**90** Black

Version F1 or F2

### ILLUMINATED

#### Switch

**Series**  
**D6R** Round

**LED**  
**L** LED

**LED Color 1**  
**WH** White  
**YE** Yellow  
**RD** Red  
**GN** Green  
**BU** Blue  
**PG** Pure Green  
**AM** Amber

**LED Color 2**  
**WH** White  
**YE** Yellow  
**RD** Red  
**GN** Green  
**BU** Blue  
**PG** Pure Green  
**AM** Amber

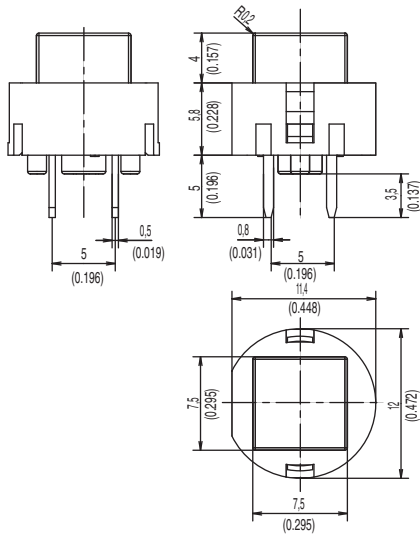
**Force**  
**F1** 1.3N  
**F2** 2.0N

RoHS compliant and compatible product

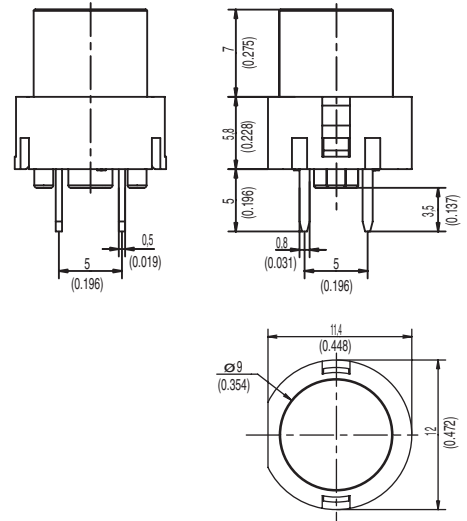
# D6 SPST Momentary Key Switches

## SERIES

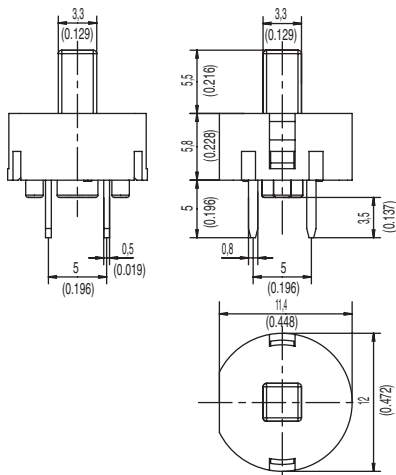
**D6C**



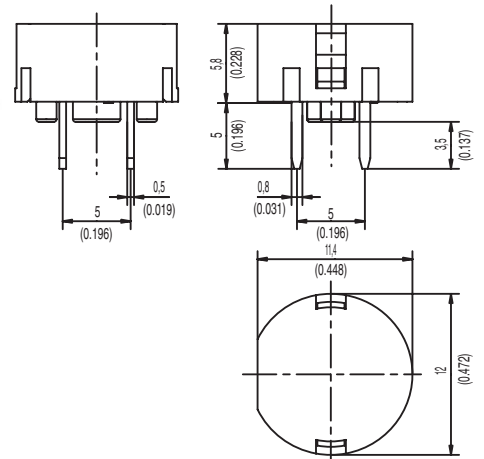
**D6R**



**D6L ONLY AVAILABLE IN BLACK**



**D6F**

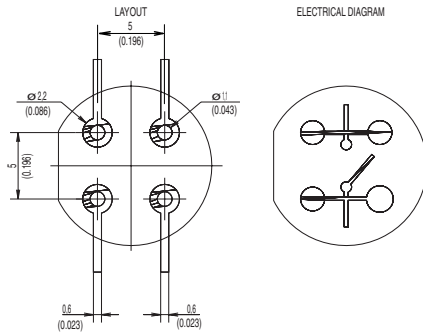


Key Switches

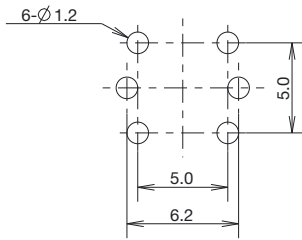
# D6 SPST Momentary Key Switches

## PCB LAYOUT

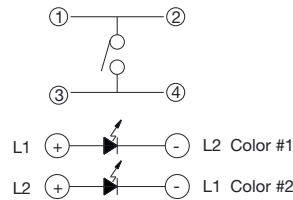
### Switch



### Switch (Illuminated)



P.C.B LAYOUT

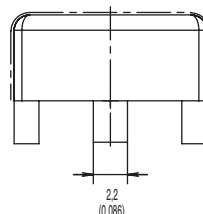
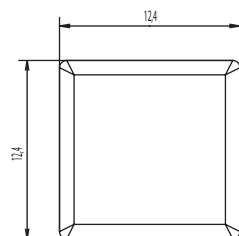
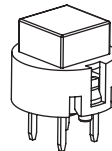
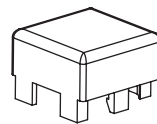
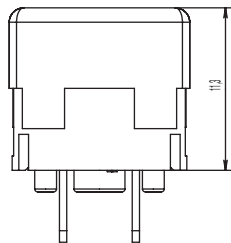


ELECTRICAL SCHEMATIC

## BUTTON AVAILABLE

**BTND6** Buttons must be ordered separately. Shipped in bulk.

**NOTE:** Only compatible with D6C



OPTION CODE	BUTTON COLOR
00	WHITE
10	GRAY
30	YELLOW
40	RED
50	GREEN
60	BLUE
90	BLACK



First Angle  
Projection

Dimensions are shown: mm  
Specifications and dimensions subject to change

[www.ckswitches.com](http://www.ckswitches.com)