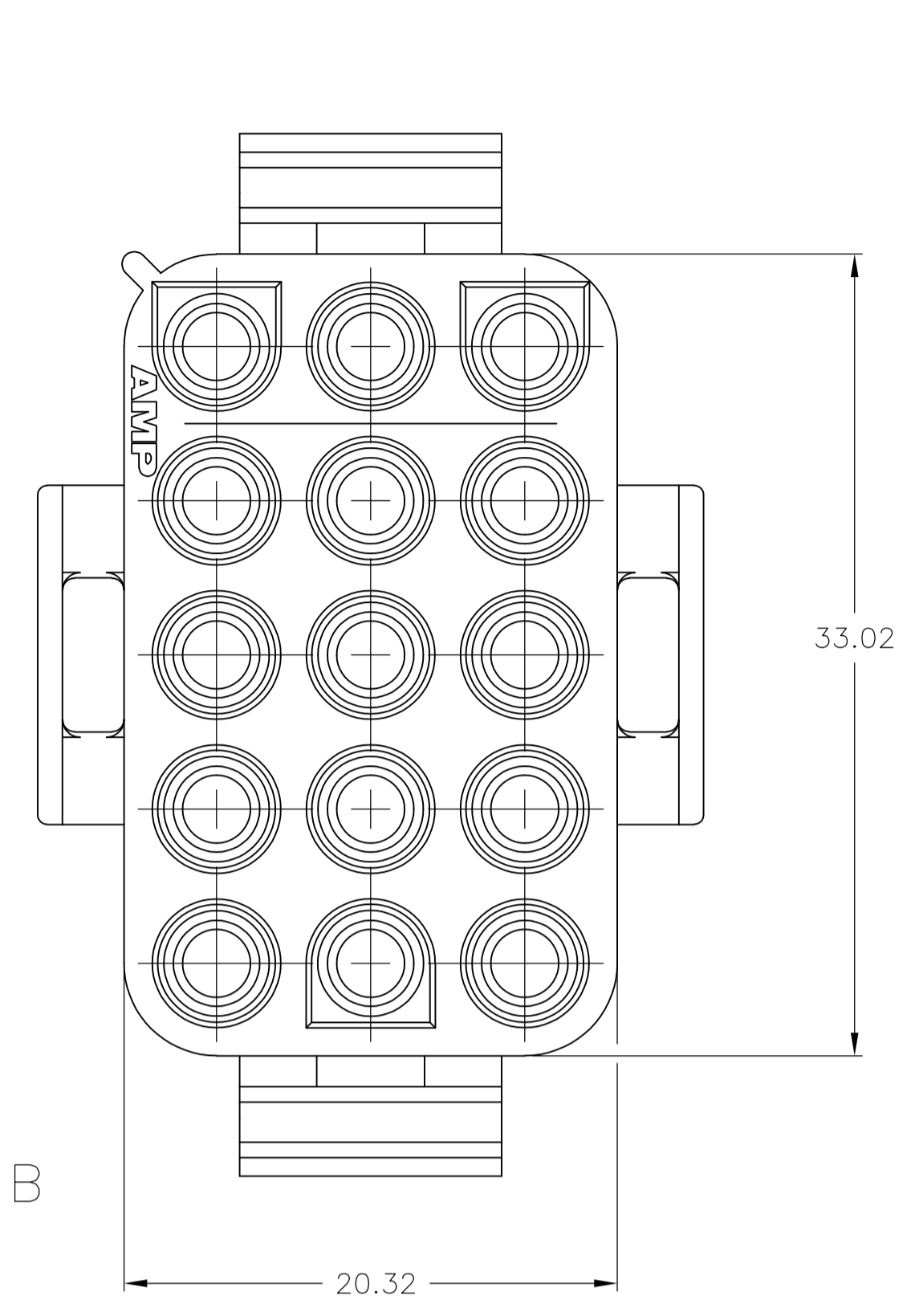
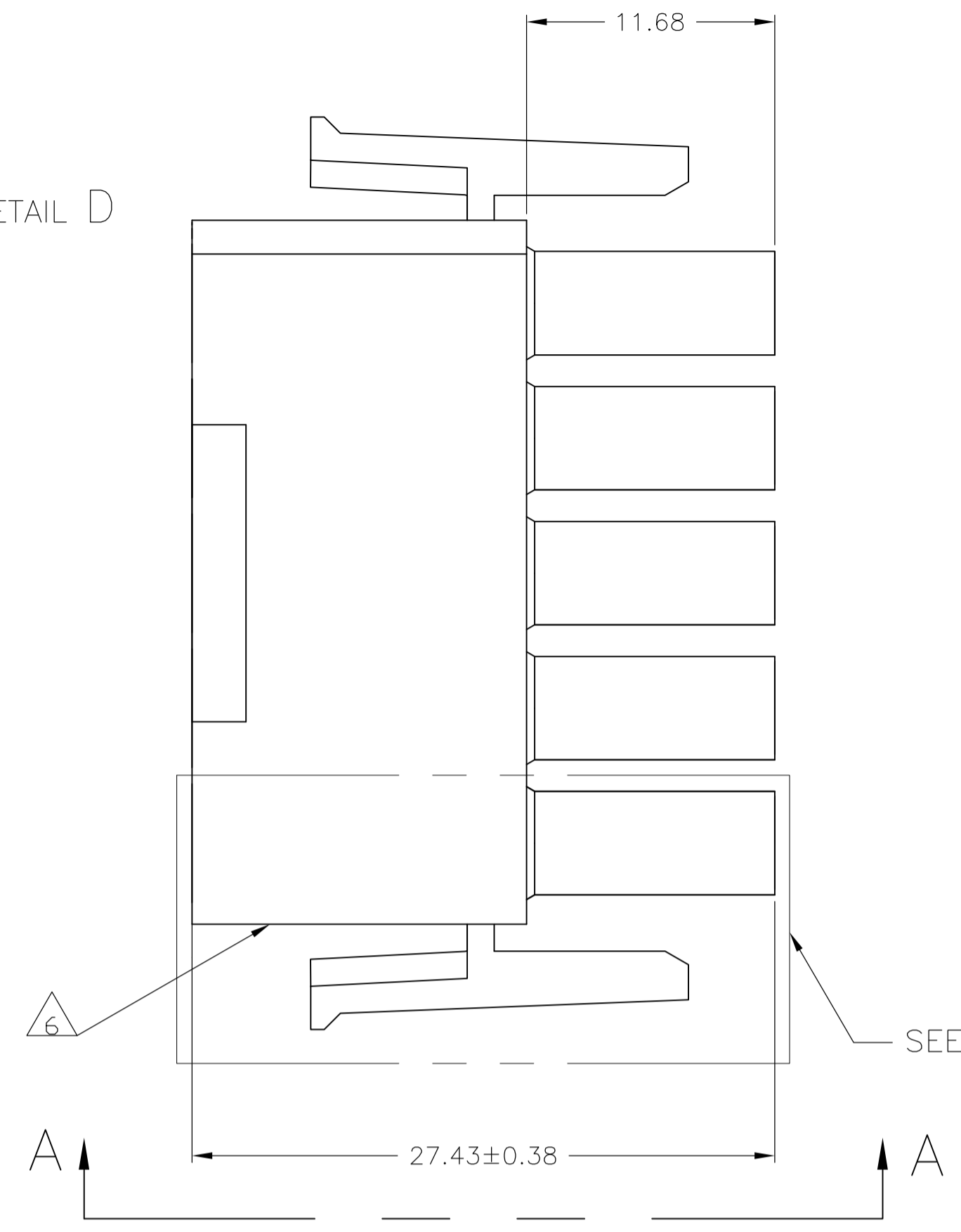
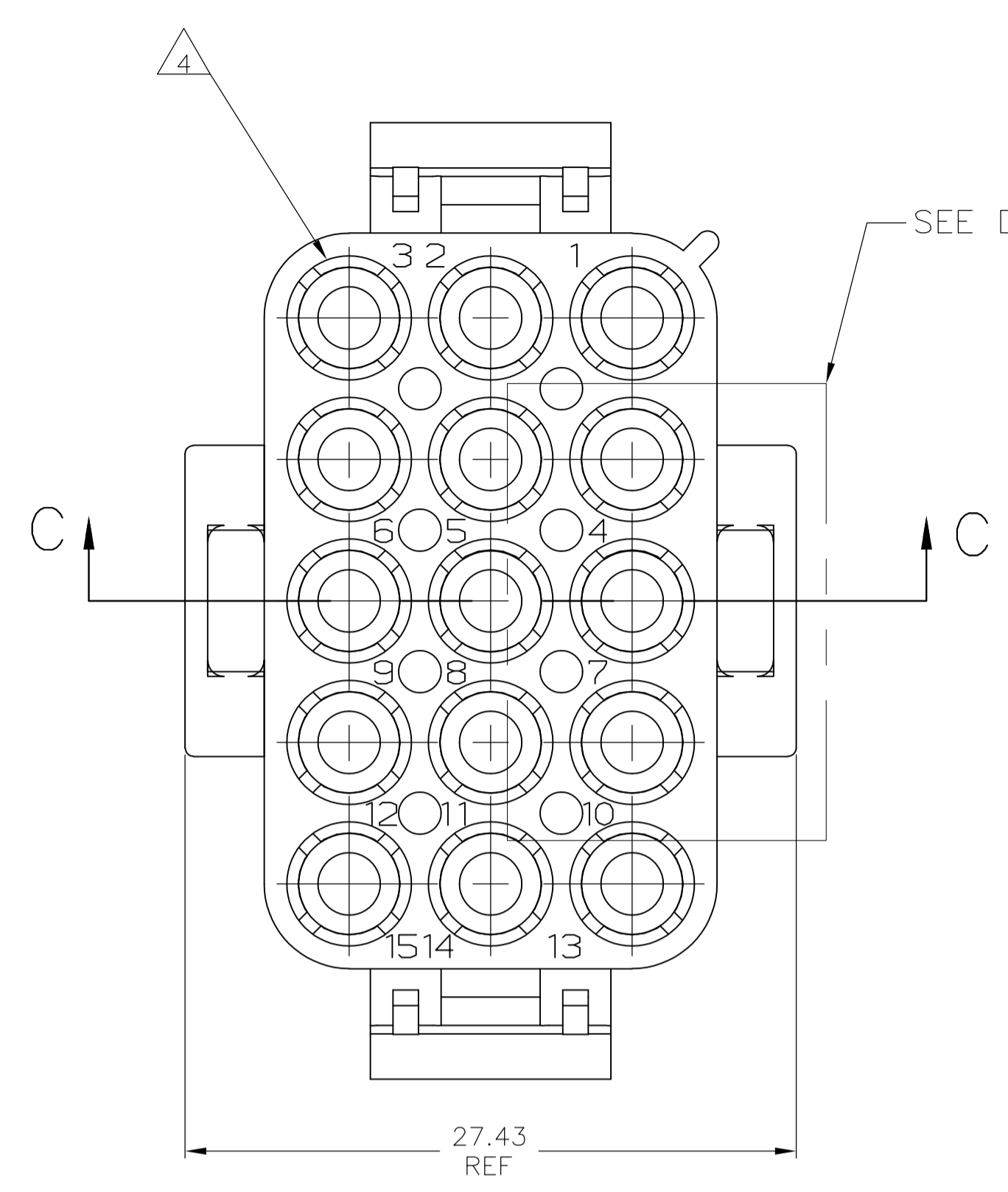
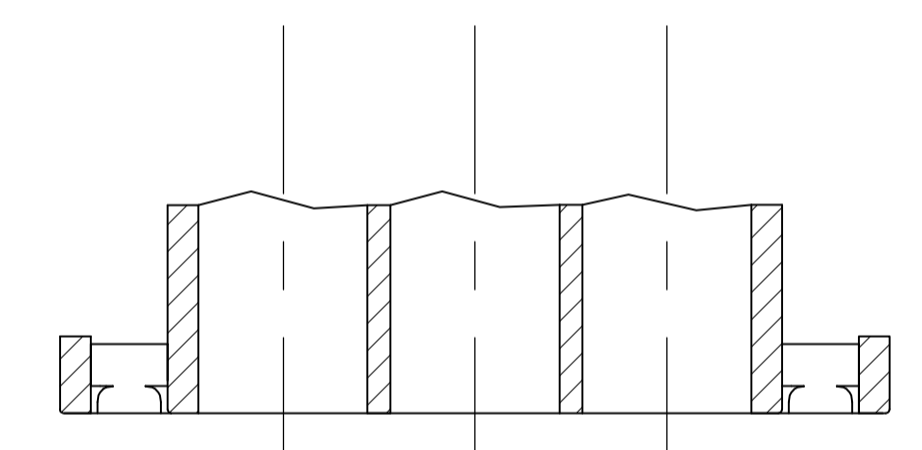


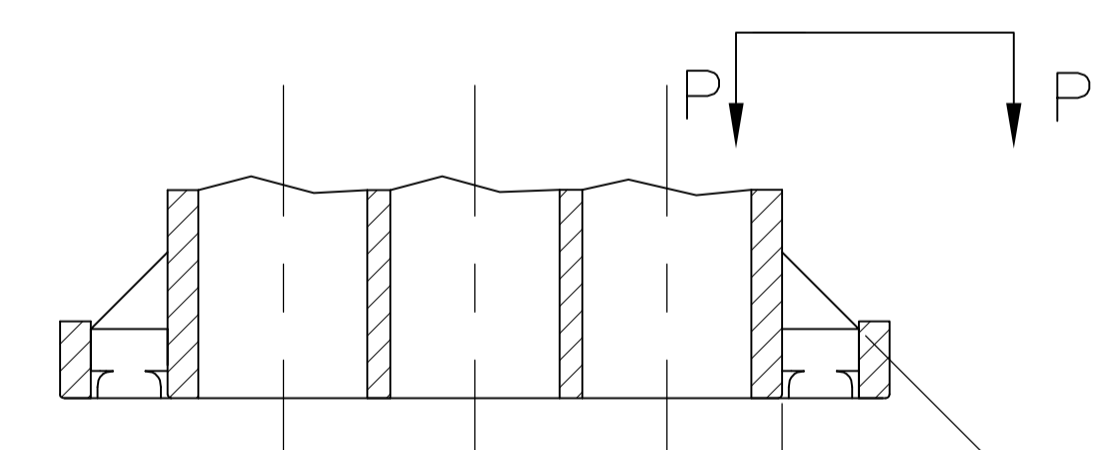
LOC		DIST		REVISIONS			
REV	BY	DATE	DESCRIPTION	DATE	BY	APPROV	
CM	53	Y	REVISED PER ECR-17-006277	24MAY2017	BW	KR	



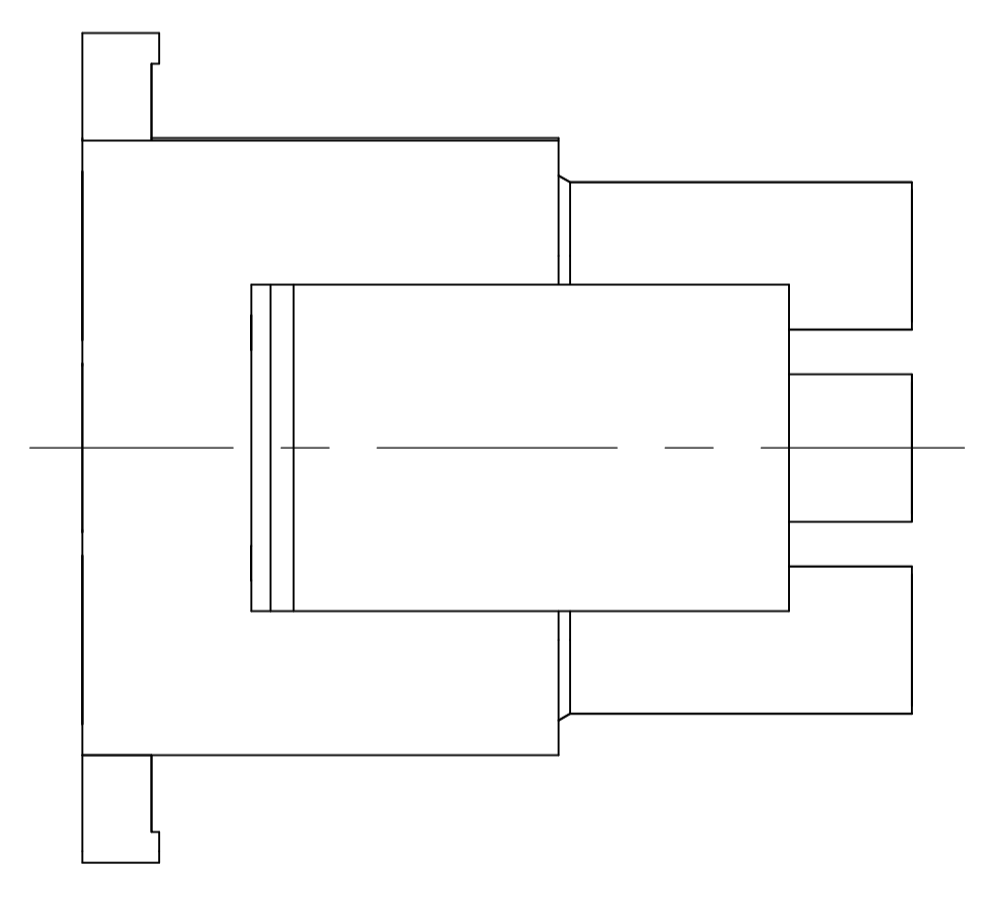
- MATES WITH APPROPRIATE UNIVERSAL MATE-N-LOK™ CAP OR HEADER.
 - SMALL NICKS ARE PERMITTED ON THE CIRCUIT TOWERS WHICH COULD INCREASE THE INITIAL HOUSING MATING FORCE BY UP TO 4.4 NEWTONS [1.0 LBS]. NO INDIVIDUAL NICKED TOWER SHALL INCREASE THIS FORCE BY OVER 2.2 NEWTONS [.5 LBS].
 - DIMENSIONS SHOWN REPRESENT PRODUCT IN DRY, AS MOLDED, CONDITION. ADDITIONAL 2% GROWTH DUE TO SUBSEQUENT MOISTURE ABSORPTION MAY OCCUR AND SHOULD BE ACCOUNTED FOR.
- △4 FOUR RIBS EQUALLY SPACED, NO SPECIFIC ORIENTATION. OR SIX RIBS EQUALLY SPACED, NO SPECIFIC ORIENTATION, OPTIONAL.
 - △5 NOT MANUFACTURED IN U.S.
 - △6 UNDERWRITERS RECOGNIZED COMPONENT LOGO AND CSA CERTIFICATION LOGO TO BE LOCATED ONCE ON EACH SIDE OF HOUSING.



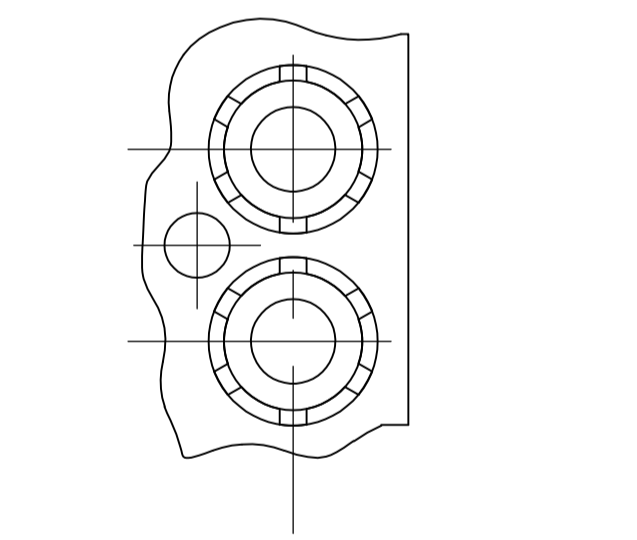
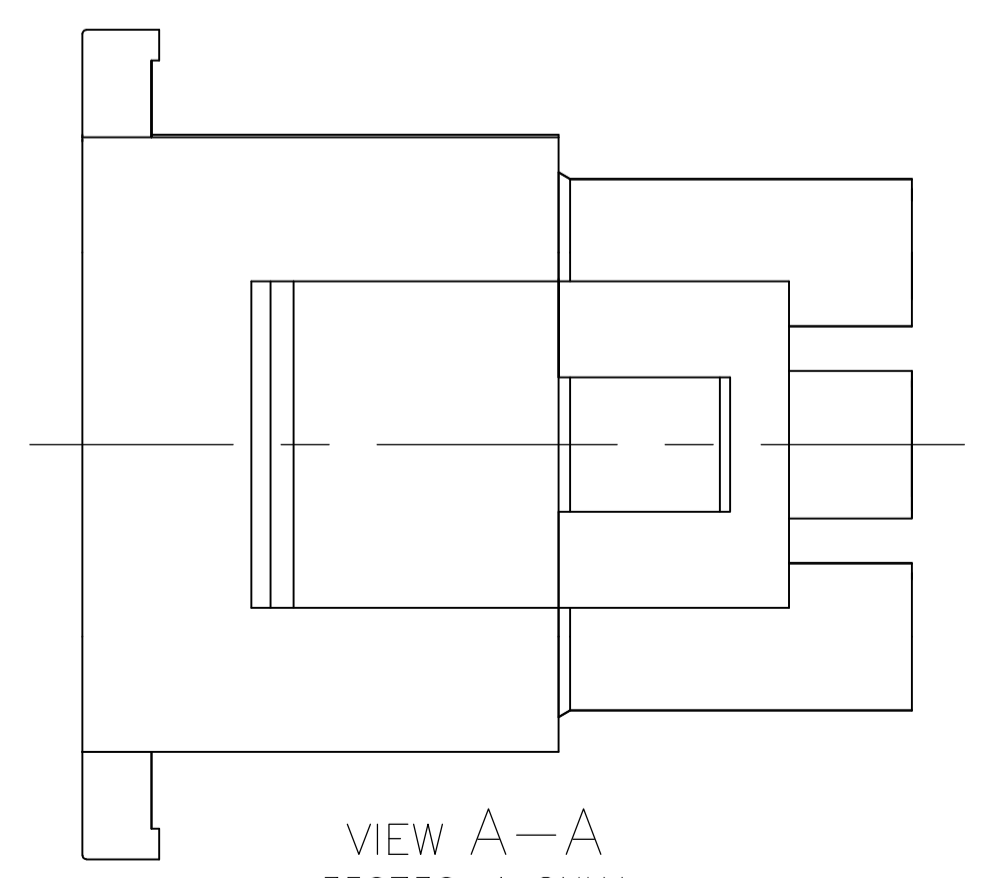
PARTIAL SECTION C-C



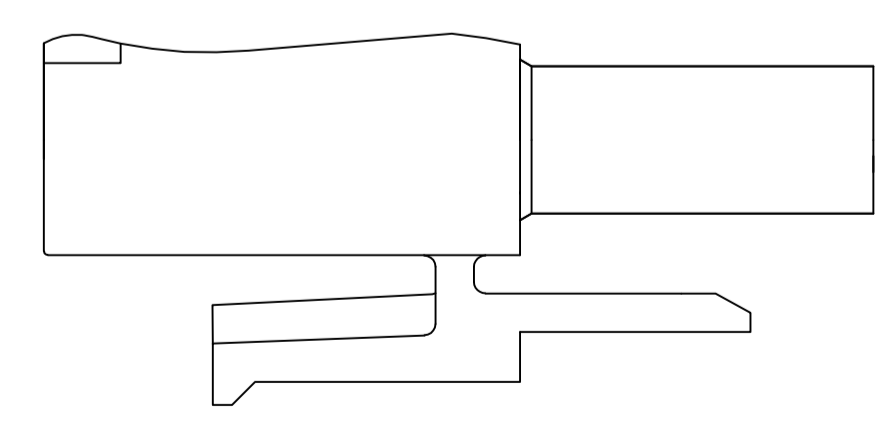
PARTIAL SECTION C-C
OPTIONAL CONSTRUCTION



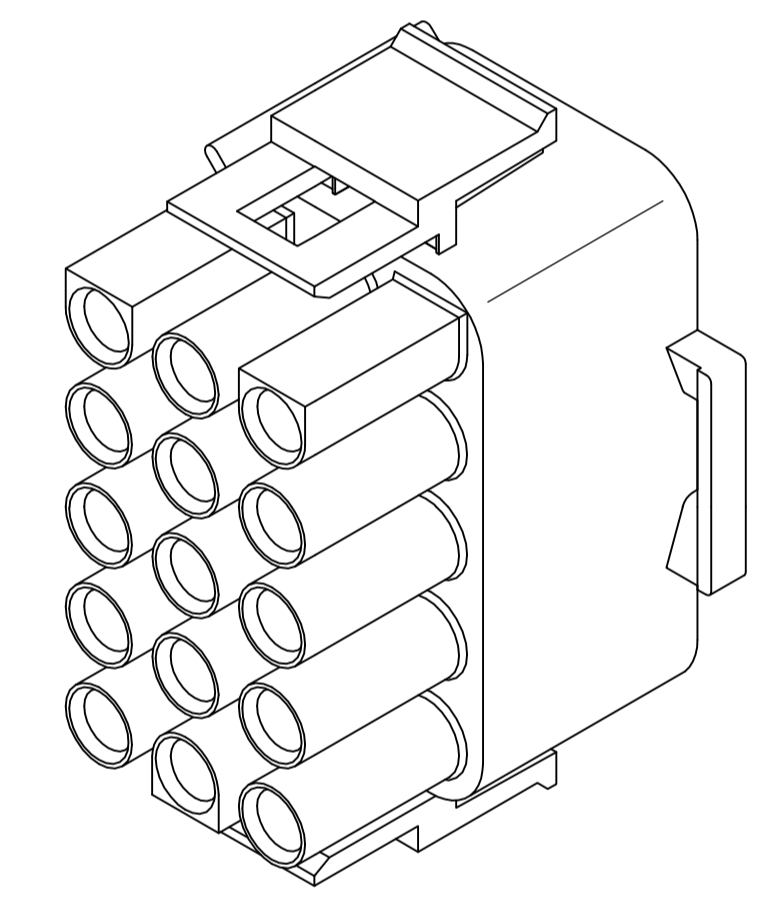
VIEW A-A
350736-4 ONLY



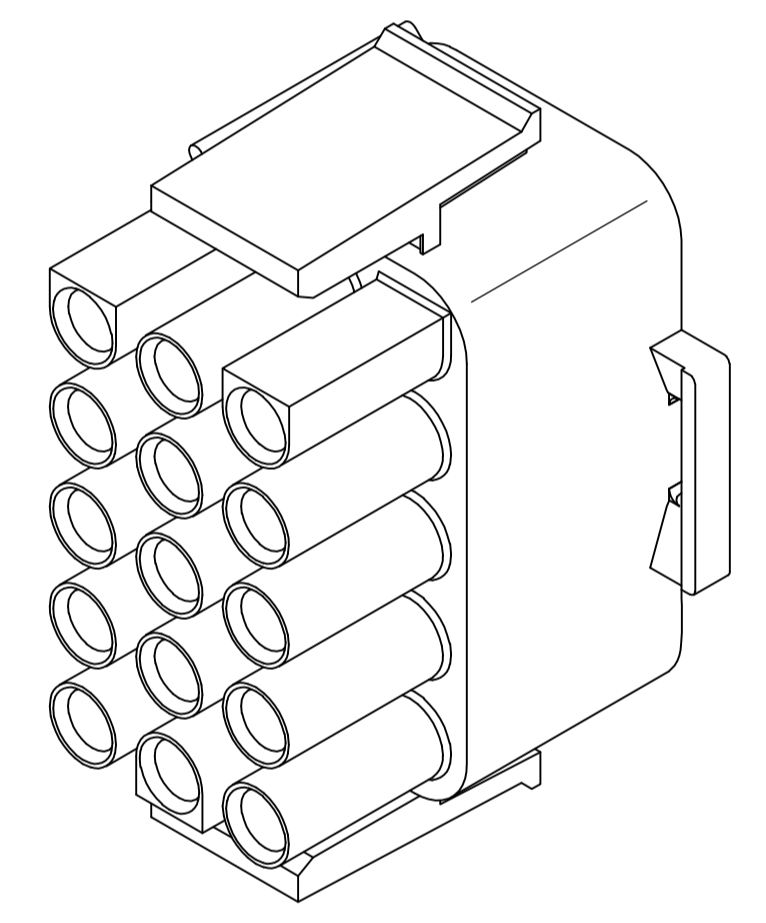
PARTIAL DETAIL D
OPTIONAL CONSTRUCTION



DETAIL B
350736-4 ONLY

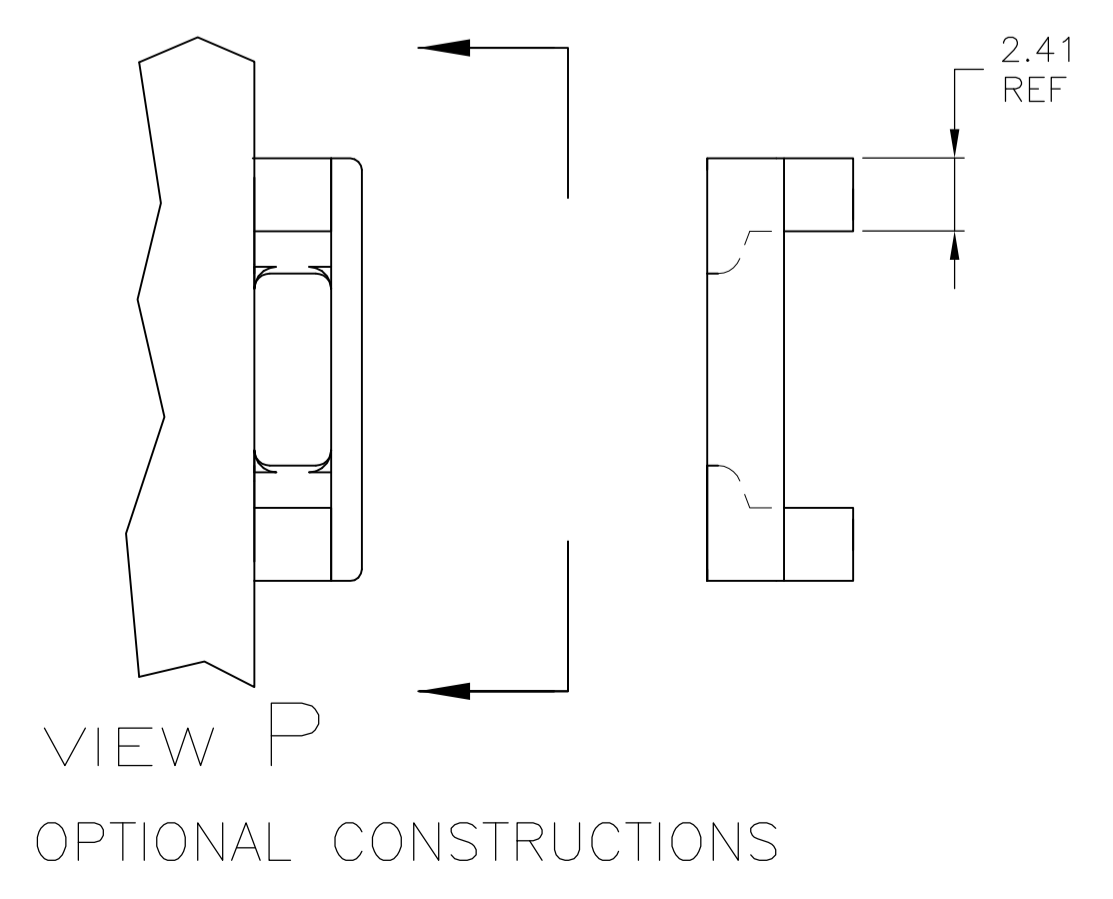


350736-4 3-DIMENSIONAL MODEL
NTS



3-DIMENSIONAL MODEL
NTS

BLACK	1-350736-9
GRAY	1-350736-8
BLUE	1-350736-6
GREEN	1-350736-5
YELLOW	1-350736-4
ORANGE	1-350736-3
RED	1-350736-2
BROWN	1-350736-1
△	350736-4
NATURAL	350736-1
COLOR	PART NUMBER



VIEW P
OPTIONAL CONSTRUCTIONS

THIS DRAWING IS A CONTROLLED DOCUMENT.

DIMENSIONS:	TOLERANCES UNLESS OTHERWISE SPECIFIED:	DWG: K. WHITAKER	20FEB92	TE Connectivity
mm	0. PLC ± -	CHK: R. SWING	20FEB92	
	1. PLC ± -	APP'D: D. SELF	24FEB92	NAME: PLUG, 15 CIRCUIT, UNIVERSAL MATE-N-LOK™
	2. PLC ± 0.13	PRODUCT SPEC		SIZE: A1
	3. PLC ± -	APPLICATION SPEC		CAGE CODE: 00779
	4. PLC ± -			DRAWING NO: 350736
	ANGLES ± 0.30°			RESTRICTED TO: -
MATERIAL: NYLON,UL 94V-0	FINISH: -	WEIGHT:		CUSTOMER DRAWING
			SCALE: 4:1	SHEET: 1 OF 1