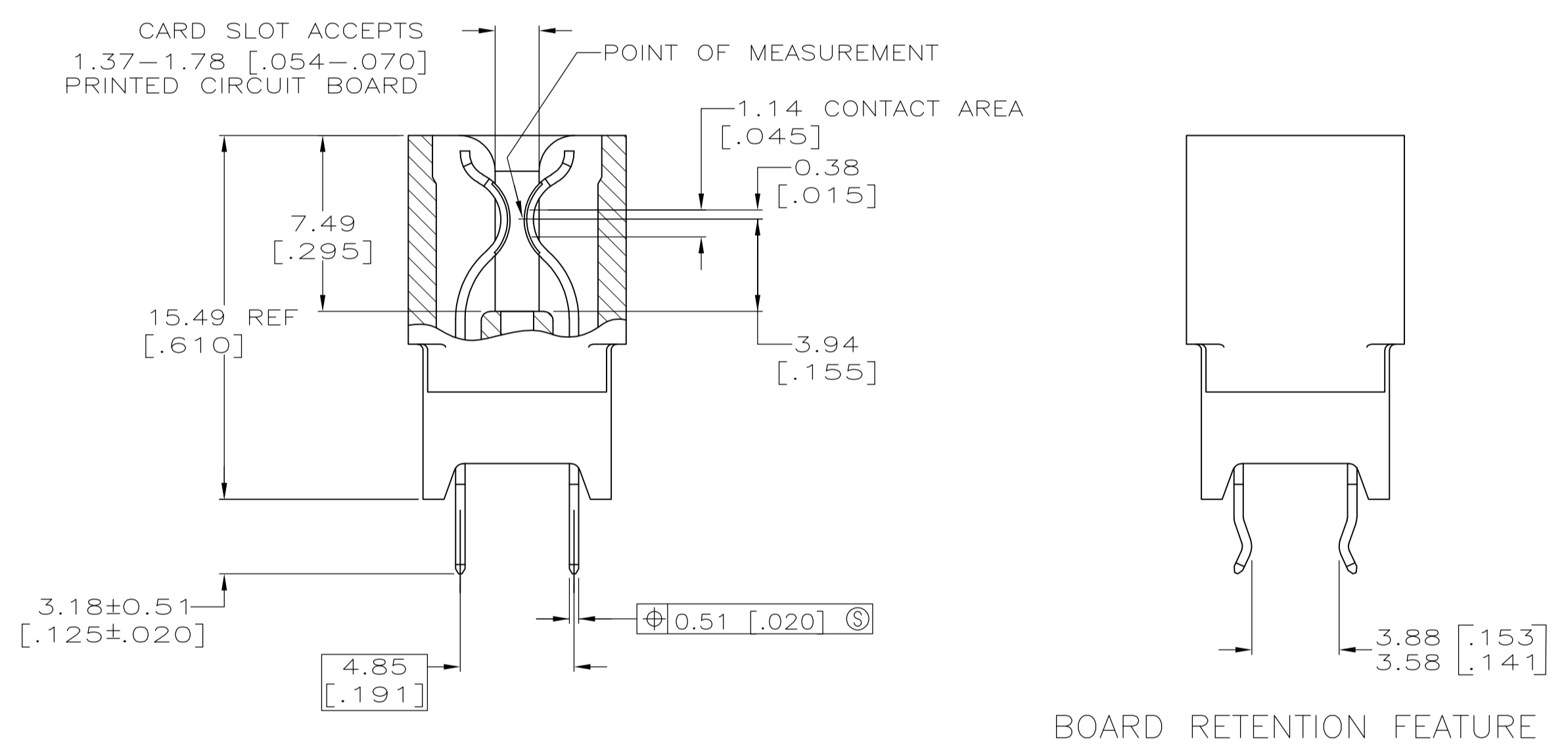
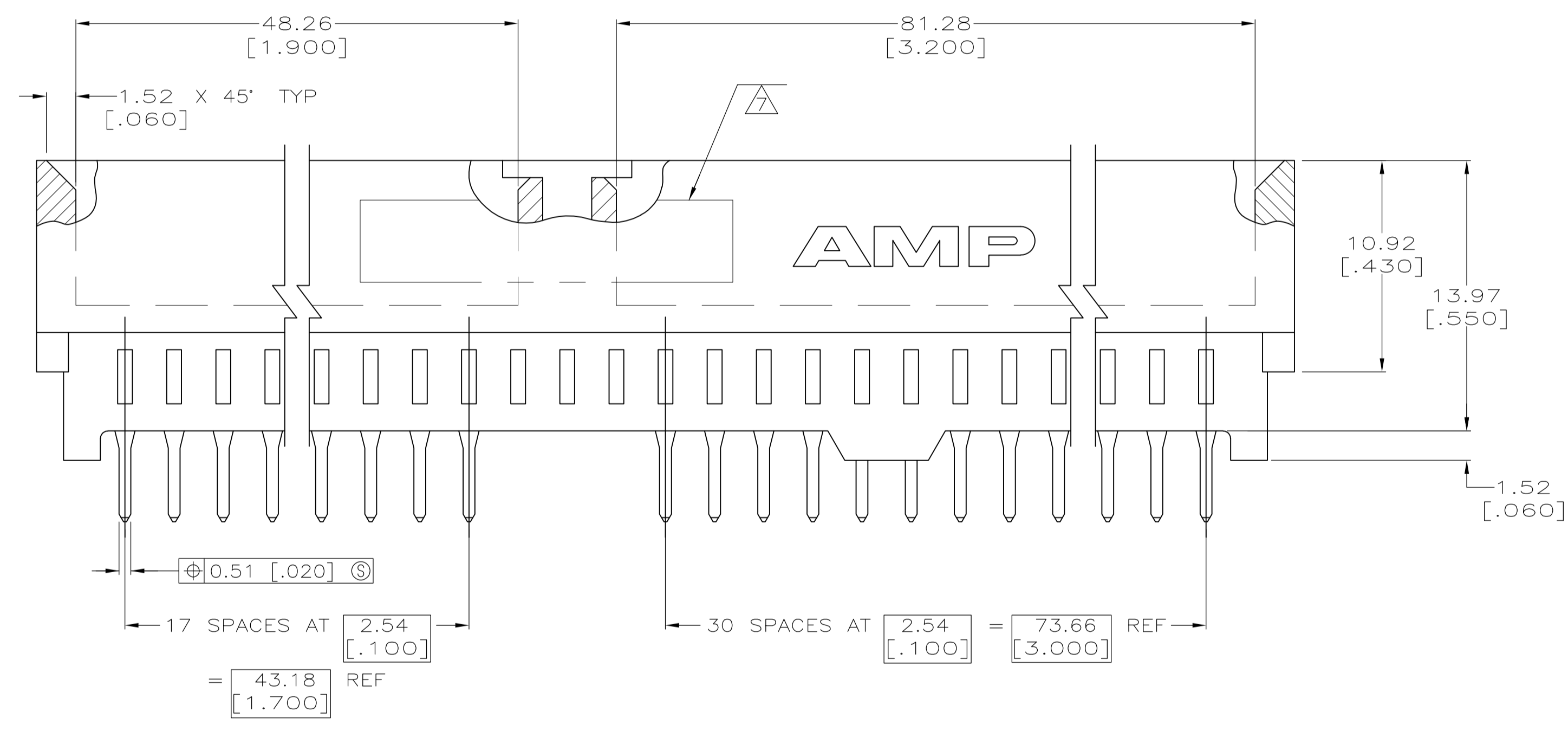
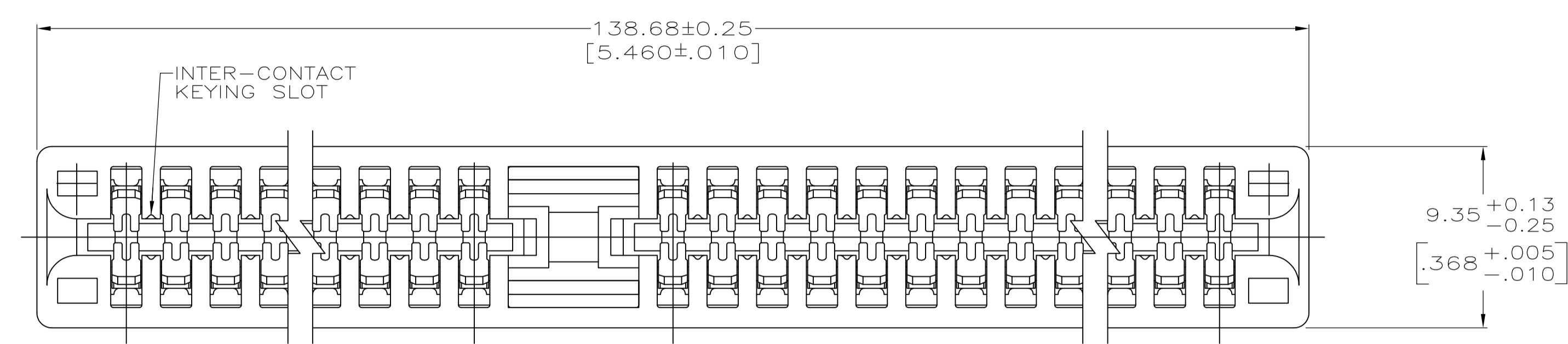
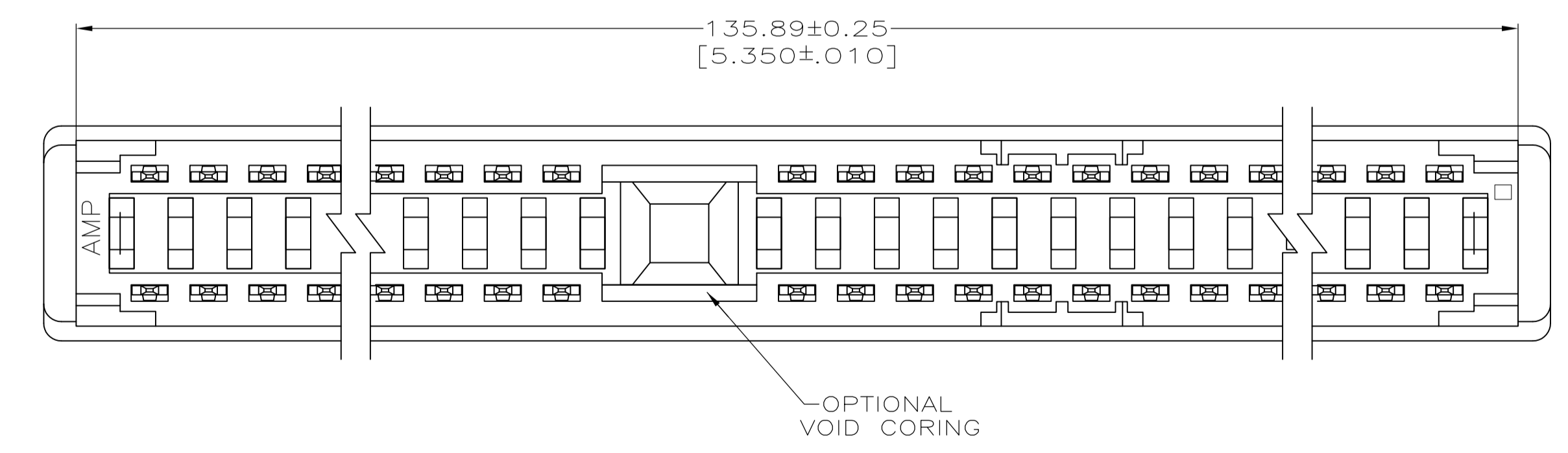


- 1 HOUSING: GLASS FILLED POLYESTER; COLOR: BLACK.
- 2 CONTACT: PHOSPHOR BRONZE.
- 3 NICKEL PLATE: 0.00127 [.000050] MIN - ALL OVER.
- 4 MATTE TIN PLATE: 0.00254 [.000100] MIN-SOLDER POSTS.
- 5 GOLD PLATE: 0.00076 [.000030] MIN - CONTACT AREA.
- 6 NICKEL PLATE PER MIL-G-45204. GOLD PLATE PER QQ-N-290.
- 7 AMP PART NUMBER, DATE CODE AND CSA LOGO ARE MARKED IN APPROXIMATE AREA SHOWN, EITHER SIDE.
- 8. RECOMMENDED PCB FINISHED HOLE DIA: 1.02±0.08 [.040±.003].
- 9. THE RETENTIVE FEATURE OF THIS CONNECTOR IS DESIGNED FOR FULL SEATING IN .062±.008 THICK CIRCUIT BOARDS. FOR APPLICATIONS IN BOARDS OF OTHER THICKNESSES CONTACT AMP INCORPORATED.
- 10 PACKAGED 20 CONNECTORS PER TUBE.
- 11 PACKAGED 72 CONNECTORS PER EPS TRAY.
- 12 GOLD PLATE: 0.00038 [.000015] MIN - CONTACT AREA.
- 13 PACKAGED IN SLIDE PACK.
- 14 PACKAGE 57 CONNECTORS IN TUBES.
- 15 DATUMS AND BASIC DIMENSIONS TO BE DETERMINED BY CUSTOMER.

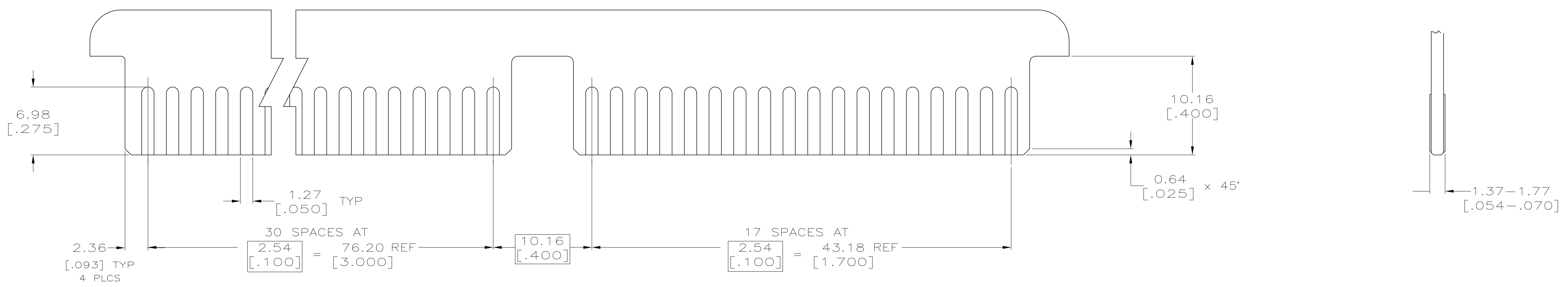


BOARD RETENTION FEATURE

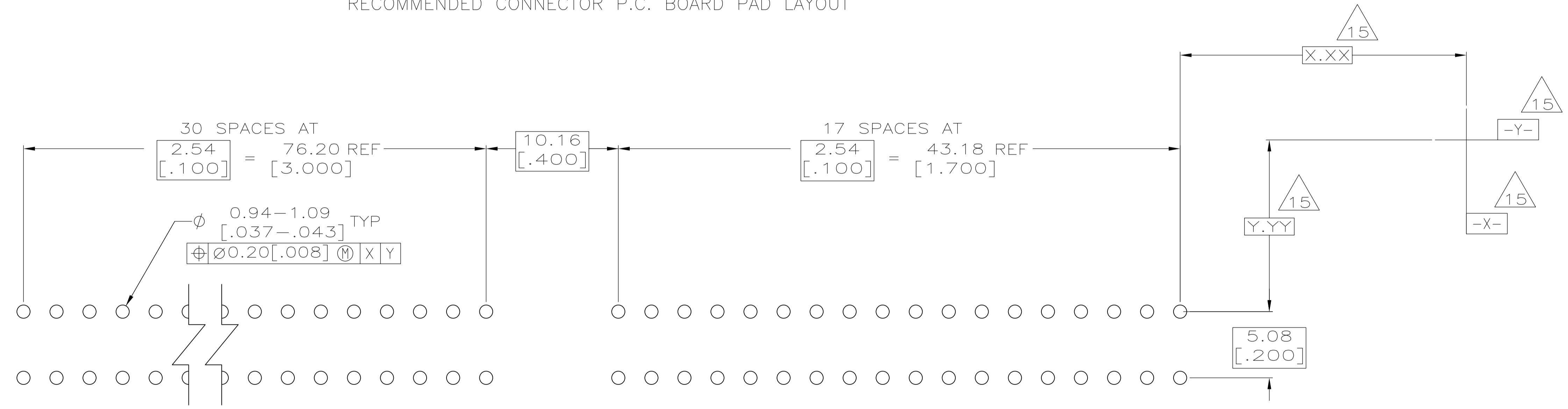


NOTE 5	NOTE 11	5,6,31,32,41,42,93,94	49	5645169-4
NOTE 5	NOTE 11	-	49	5645169-3
NOTE 5	NOTE 11	5,6,31,32,41,42,93,94	49	5645169-2
PLATING	PACKAGE	BOARD RETENTION LOCATION	NO OF POSN	PART NUMBER

THIS DRAWING IS A CONTROLLED DOCUMENT.		DN: AL FRANTUM 14 JUN 05	TE Connectivity	
DIMENSIONS: mm		CHK: AL FRANTUM 14 JUN 05		
TOLERANCES UNLESS OTHERWISE SPECIFIED:		APVD:	NAME: CONNECTOR ASSEMBLY, STANDARD EDGE II, 2.54 [.100]	
0. PLC ± -		PRODUCT SPEC: 108-9039	SIZE: A1	
1. PLC ± -		APPLICATION SPEC:	CAGE CODE: 00779	
2. PLC ± 0.13 [.005]		WEIGHT: 5645169	SCALE: 5:1	
3. PLC ± -		CUSTOMER DRAWING	SHEET 1 OF 2	
4. PLC ANGLES ± - # °			REV A1	



RECOMMENDED CONNECTOR P.C. BOARD PAD LAYOUT



RECOMMENDED CONNECTOR P.C. BOARD HOLE PATTERN

THIS DRAWING IS A CONTROLLED DOCUMENT.		DN AL FRANTUM 14 JUN 05	TE Connectivity
		CHK AL FRANTUM 14 JUN 05	
DIMENSIONS: mm	TOLERANCES UNLESS OTHERWISE SPECIFIED:	APVD	NAME
	0 PLCS ± -	PRODUCT SPEC	CONNECTOR ASSEMBLY, STANDARD EDGE II, 2.54 [.100]
	1 PLCS ± -	108-9039	
	2 PLCS ± 0.13 [.005]	APPLICATION SPEC	SIZE
	3 PLCS ± -		A1
	4 PLCS ± -		CAGE CODE
	ANGLES ± -		DRAWING NO
MATERIAL SEE SHEET 1	FINISH SEE SHEET 1	WEIGHT	5645169
		CUSTOMER DRAWING	SCALE 5:1 SHEET 2 OF 2 REV A1

Mouser Electronics

Authorized Distributor

Click to View Pricing, Inventory, Delivery & Lifecycle Information:

[TE Connectivity:](#)

[5645169-4](#)