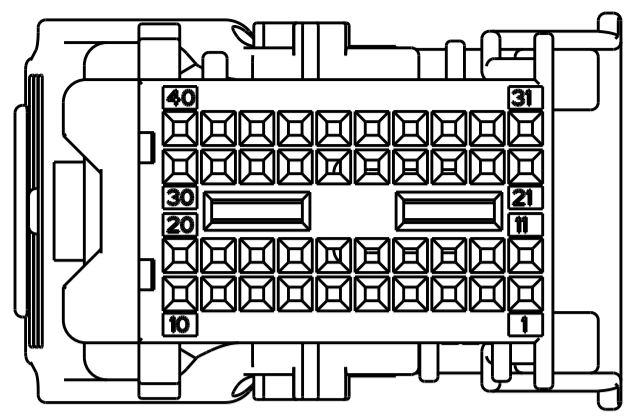
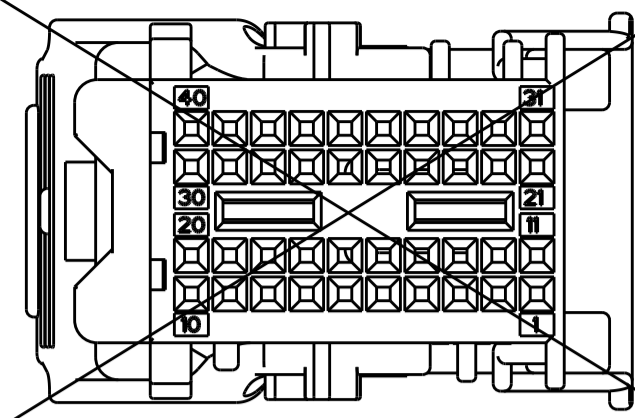


REVISIONS					
P.	LTN	DESCRIPTION	DATE	DMN	APVD
A		REVISED PER ECR-12-010595	11JUN2012	MBH	RH
B		REVISED PER ECO-15-011566	15SEP2015	DLD	CJS

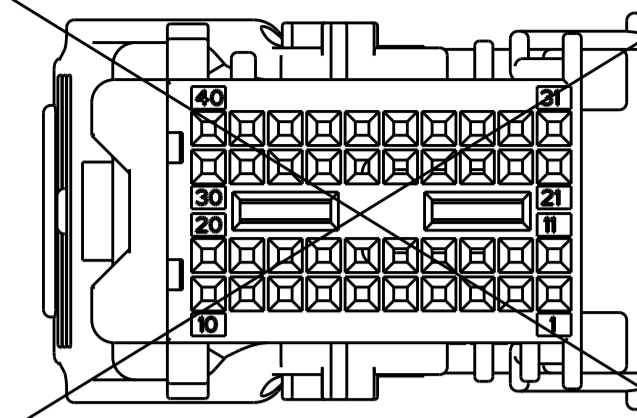
KEYING OPTION, SCALE: 2:1



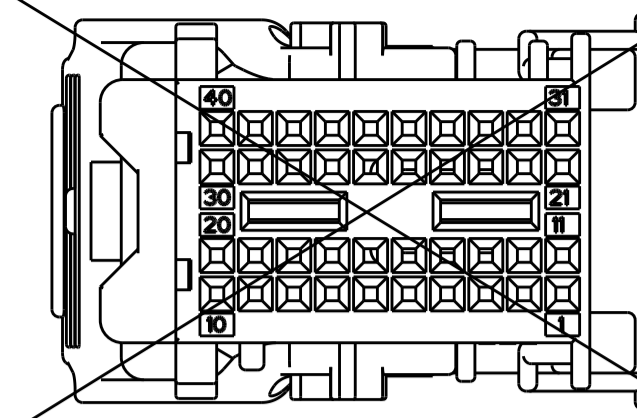
ASSY P/N: 2098633-1
KEYING: A



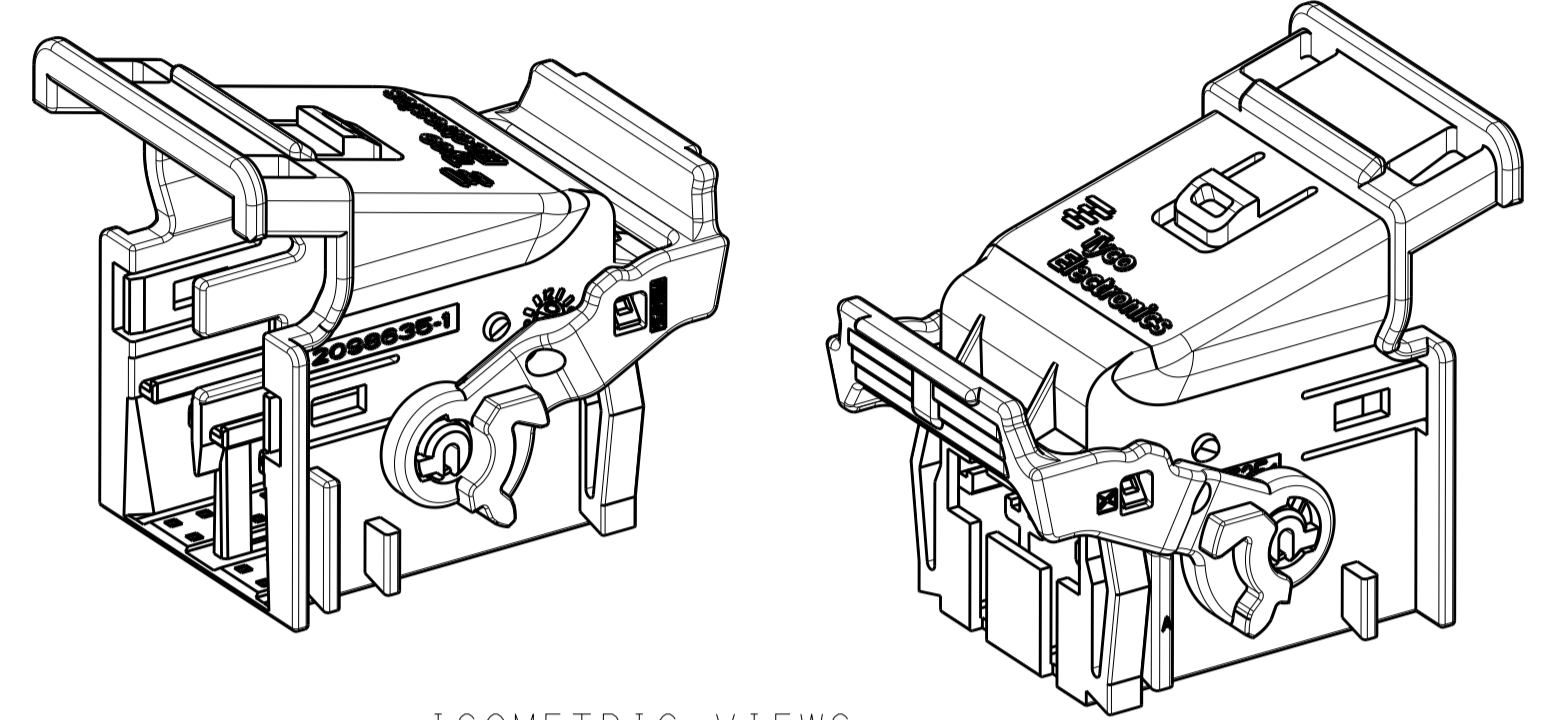
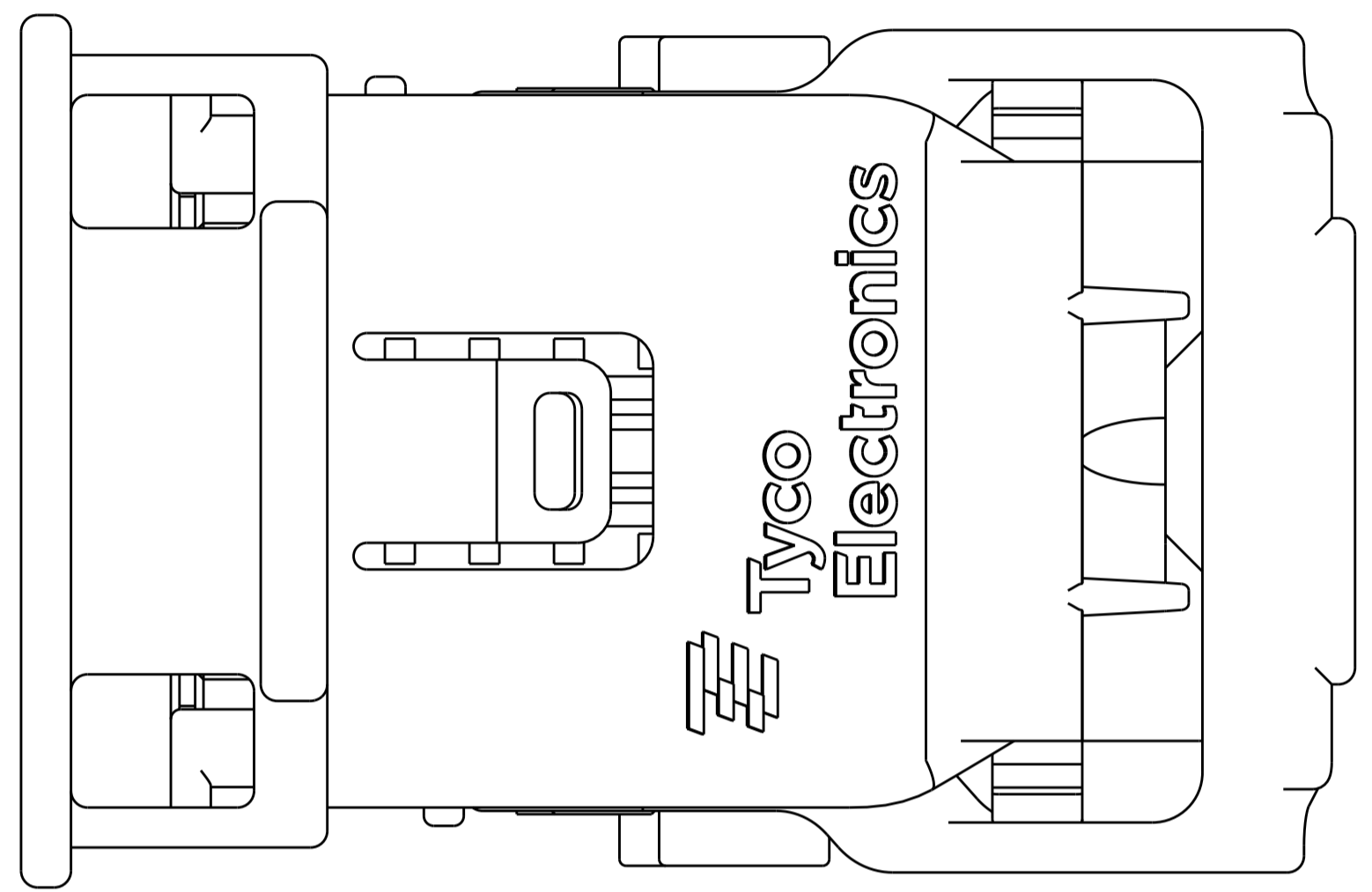
ASSY P/N: 2098633-2
KEYING: B



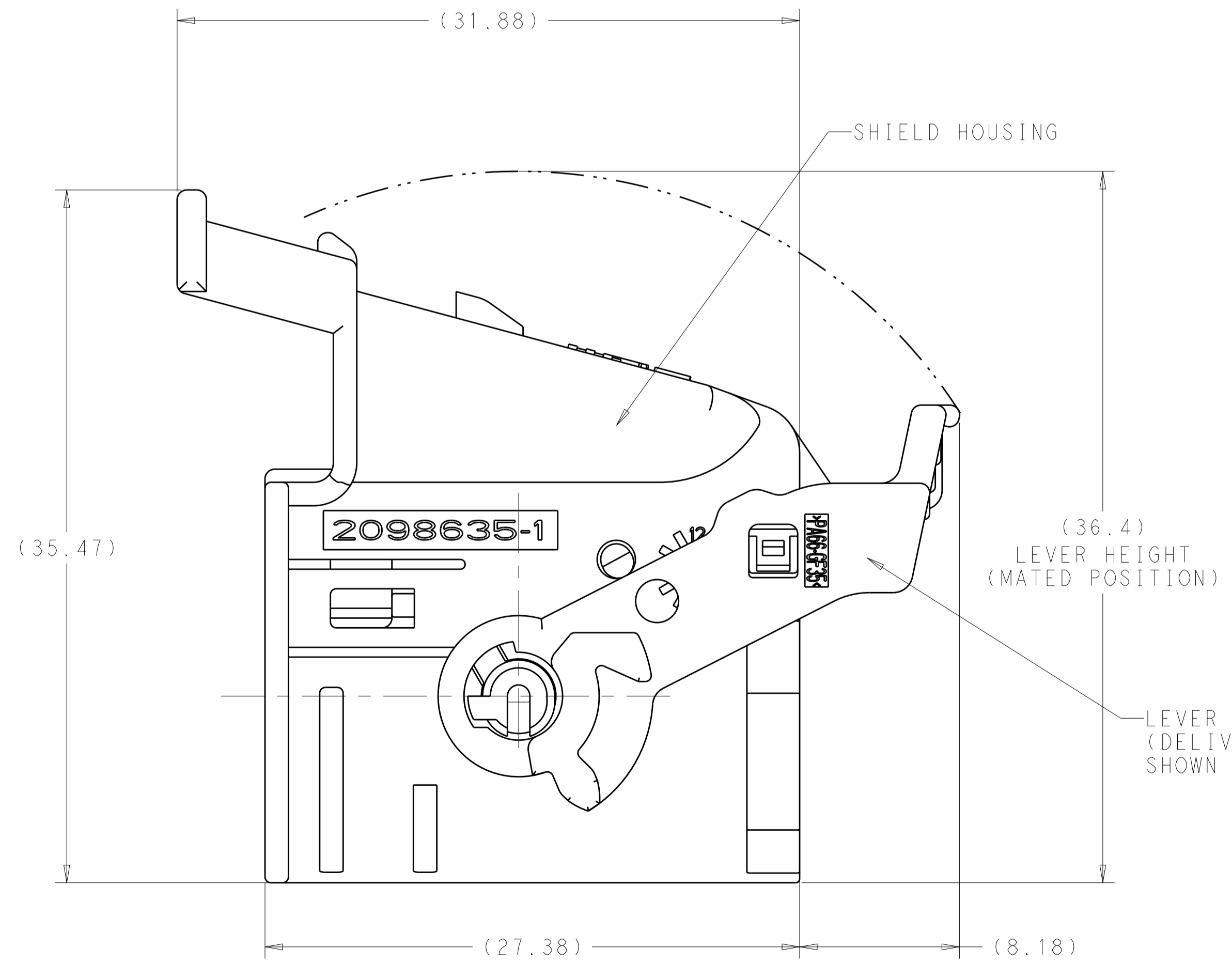
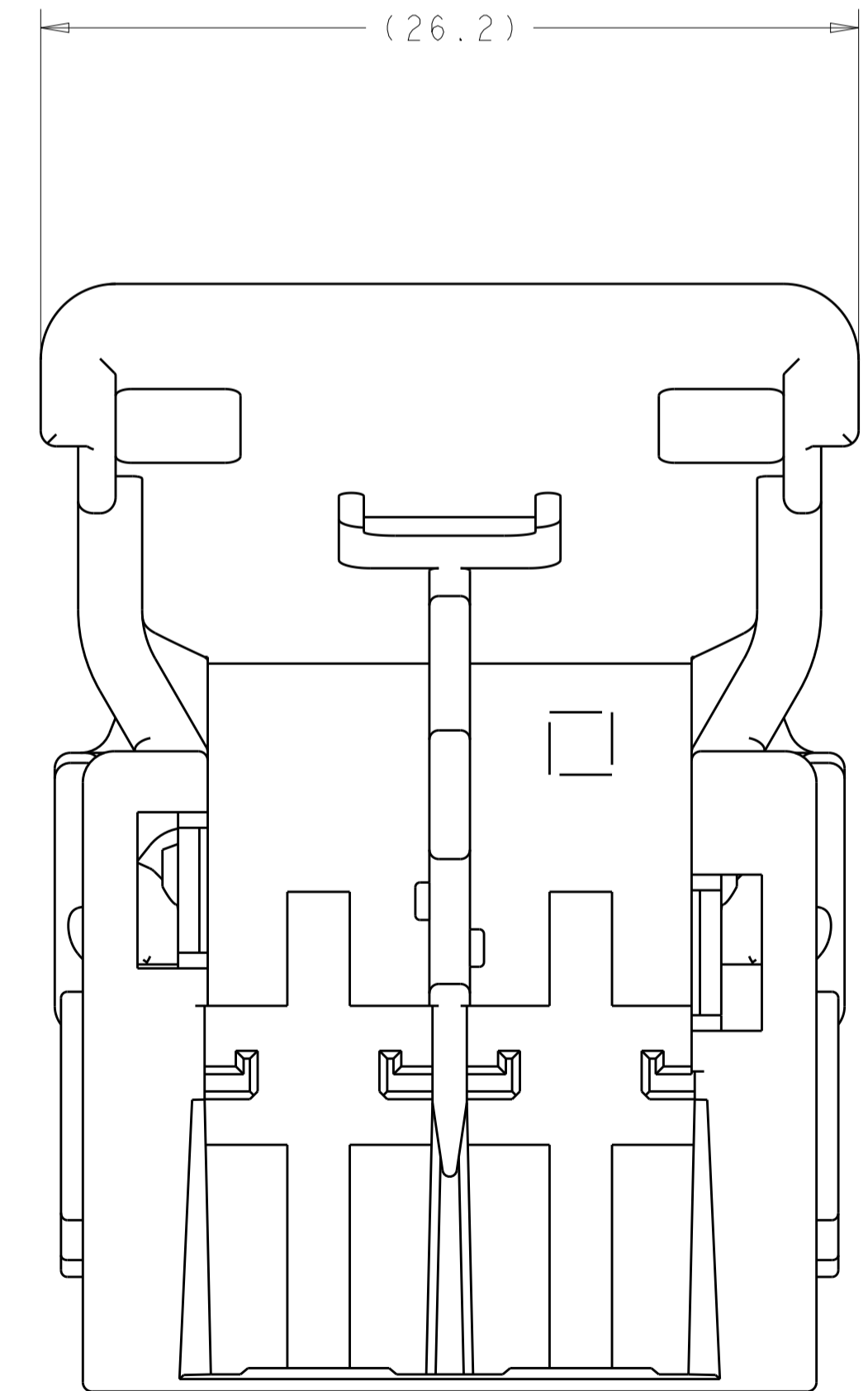
ASSY P/N: 2098633-3
KEYING: C



ASSY P/N: 2098633-4
KEYING: D



ISOMETRIC VIEWS
SCALE 2:1



- ▲ MATERIAL: SHIELD - 35% GLASS REINFORCED NYLON. SEE TABLE BELOW FOR COLOR.
LEVER - 35% GLASS REINFORCED NYLON. COLOR: DARK GREY.
- 2. REFERENCE: CARRIER 2098634-1 AND 2098634-2 USED WITH THIS ASSEMBLY.
- 3. REFERENCE: INTERFACE DETAIL PER TE DRAWING NO 2098633-MXCU.

BLACK	D	2098633-4
BLUE	C	2098633-3
GREY	B	2098633-2
BLACK	A	2098633-1
COLOR	KEYING OPT.	PART NUMBER

THIS DRAWING IS A CONTROLLED DOCUMENT.		DMN S. VINAY 22MAR2010	TE Connectivity
DIMENSIONS: mm		CHK M. GALEN 22MAR2010	
TOLERANCES UNLESS OTHERWISE SPECIFIED:		APVD M. GALEN 22MAR2010	NAME SHIELD ASSEMBLY, 40 POSITION GENERATION Y LAC
0 PLC ±	1 PLC ±	PRODUCT SPEC	SIZE CAGE CODE DRAWING NO
2 PLC ±	3 PLC ±	APPLICATION SPEC	RESTRICTED TO
4 PLC ±	ANGLES ±	WEIGHT	A100779C=2098633
MATERIAL	FINISH	CUSTOMER DRAWING	SCALE 5:1 SHEET 1 OF 1 REV B

Mouser Electronics

Authorized Distributor

Click to View Pricing, Inventory, Delivery & Lifecycle Information:

[TE Connectivity:](#)

[2098633-1](#)