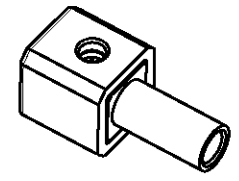
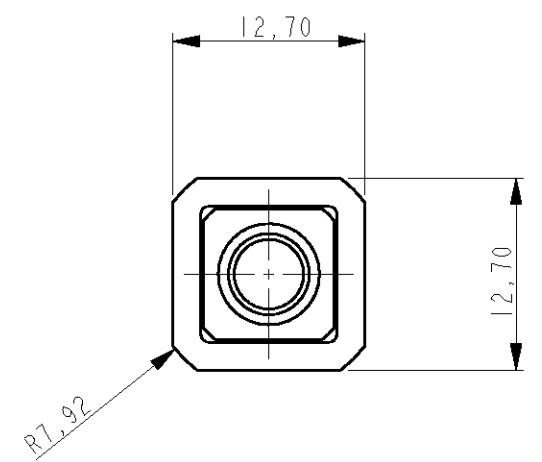
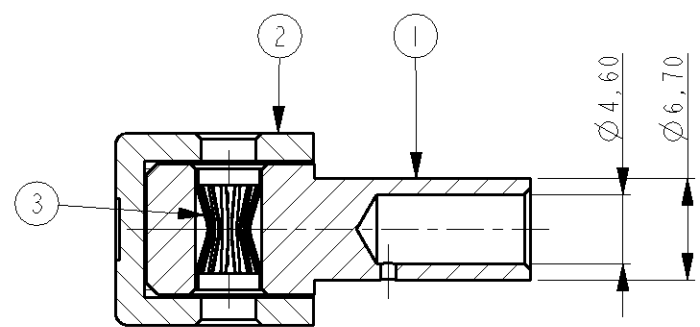
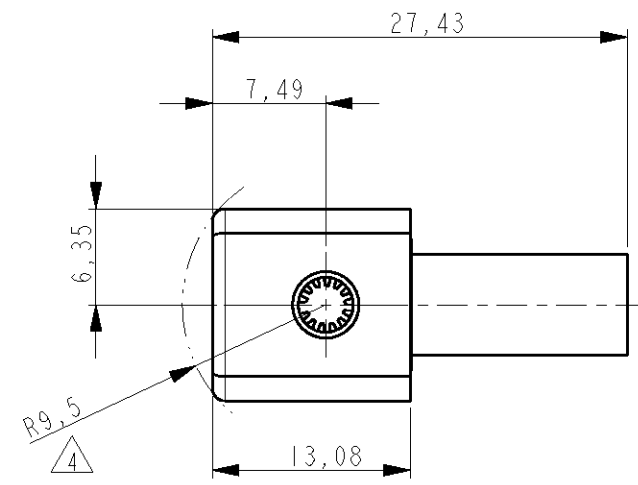


THIS DRAWING IS UNPUBLISHED. RELEASED FOR PUBLICATION 20
 © COPYRIGHT 20 BY TYCO ELECTRONICS CORPORATION. ALL RIGHTS RESERVED.

LOC	DIST	REVISIONS					
		P	LTR	DESCRIPTION	DATE	DWN	APVD
H	-		B	ECR-07-020010	06AUG2007	JV	RL

NOTES:

- 1 ITEMS PROVIDED TO THIS SPECIFICATION SHALL BE IDENTIFIED ON THE CONTAINER WITH THE FOLLOWING INFORMATION: PART NUMBER & DATE CODE OF MFR.
- 2 MATERIALS:
 SOCKET BODY: TeCu
 CROWN CONTACT: BeCu
 HOUSING: THERMOPLASTIC, 94V-0, COLOR PER TABLE
- 3 FINISHES:
 SOCKET BODY: SILVER PLATING: MIN. 5µm
 OVER MIN. 1µm NICKEL.
 CROWN CONTACT: GOLD PLATING: MIN. 0.75µm
 OVER MIN. 1µm NICKEL.
- 4 ROTATION ARC.
- 5 FOR TERMINATION REFER TO 1926079-1
- 6 MAXIMUM CABLE DIAMETER NOT TO EXCEED 1/2"



SCALE 1:1

6648228-3	BLUE
6648228-2	RED
6648228-1	BLACK

ITEM NO.	DESCRIPTION	QUANT.
3	CROWN, CONTACT, SIZE #8	1
2	HOUSING, CROWN SOCKET, SIZE #8	1
1	CONTACT SOCKET BODY, RIGHT ANGLE, SIZE #8	1

<small>THIS DRAWING IS A CONTROLLED DOCUMENT FOR TYCO ELECTRONICS CORPORATION IT IS SUBJECT TO CHANGE AND THE CONTROLLING ENGINEERING ORGANIZATION SHOULD BE CONTACTED FOR THE LATEST REVISION.</small>		DWN J.VOS 06-Aug-07 CHK R.LOKKER 06-Aug-07 APVD J.BROEKSTEEG PRODUCT SPEC - APPLICATION SPEC - WEIGHT -		Tyco Electronics Tyco Electronics Corporation 's-Hertogenbosch, Nederland	
DIMENSIONS: mm 		TOLERANCES UNLESS OTHERWISE SPECIFIED: 0 PLC ±0,2 1 PLC ±0,1 2 PLC ±0,05 3 PLC ±0,025 4 PLC ±0,005 ANGLES ±2°		NAME JUMPER, CROWN SOCKET, PIN SIZE #8 WITH #8 AWG CRIMP BARREL	
MATERIAL -		FINISH -		SIZE A3	CAGE CODE 00779
				DRAWING NO C=6648228	
CUSTOMER DRAWING				SCALE 2:1	SHEET 1 OF 1
				REV B	

Mouser Electronics

Authorized Distributor

Click to View Pricing, Inventory, Delivery & Lifecycle Information:

[TE Connectivity:](#)

[6648228-1](#)