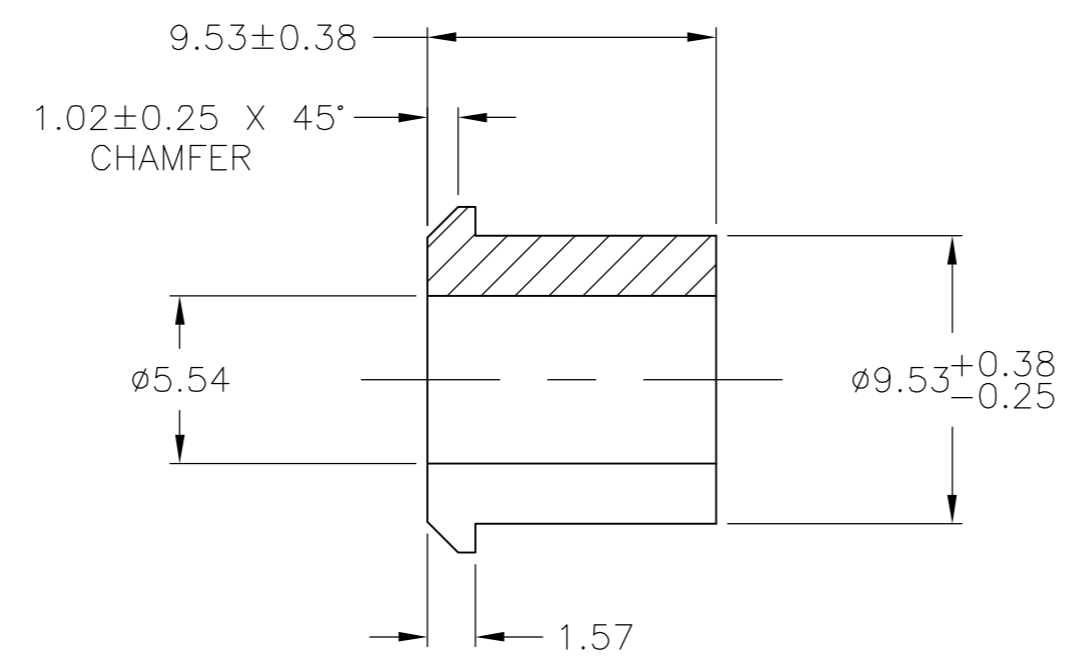
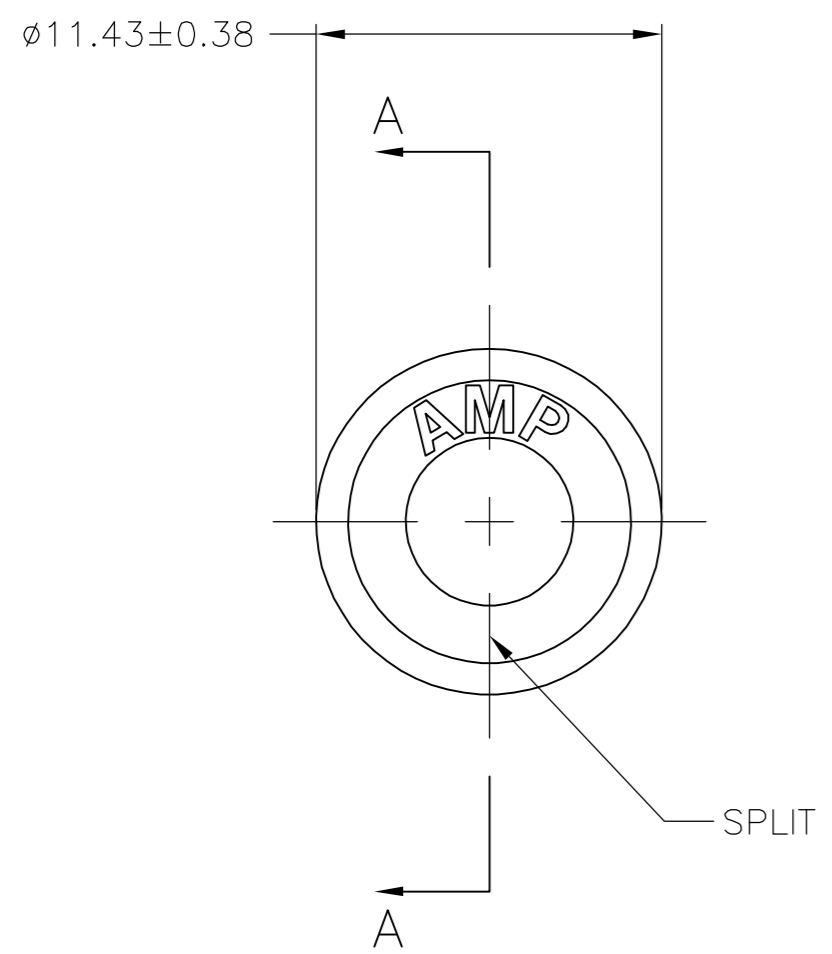
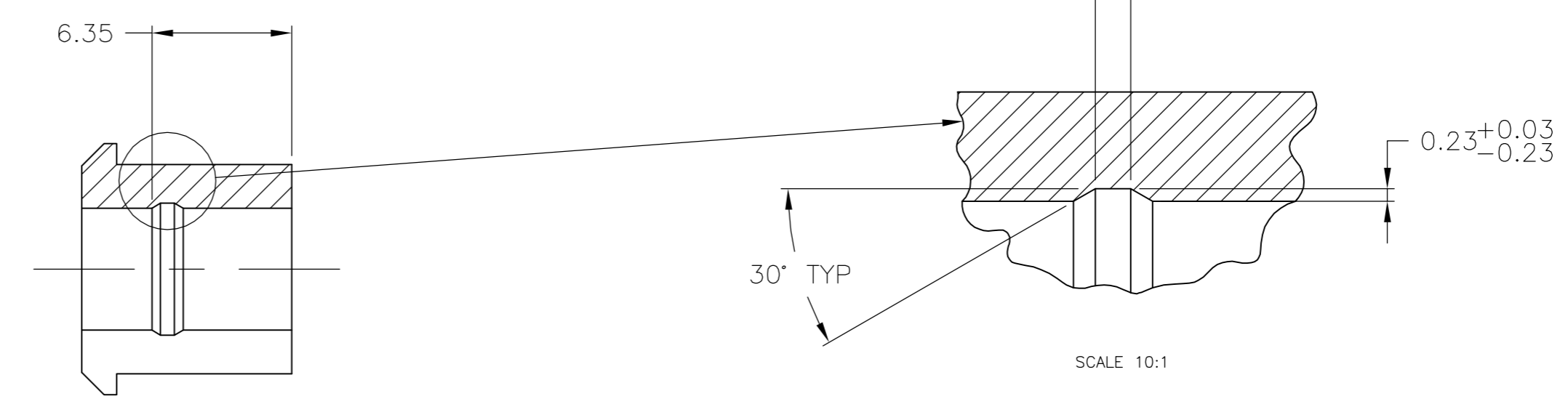
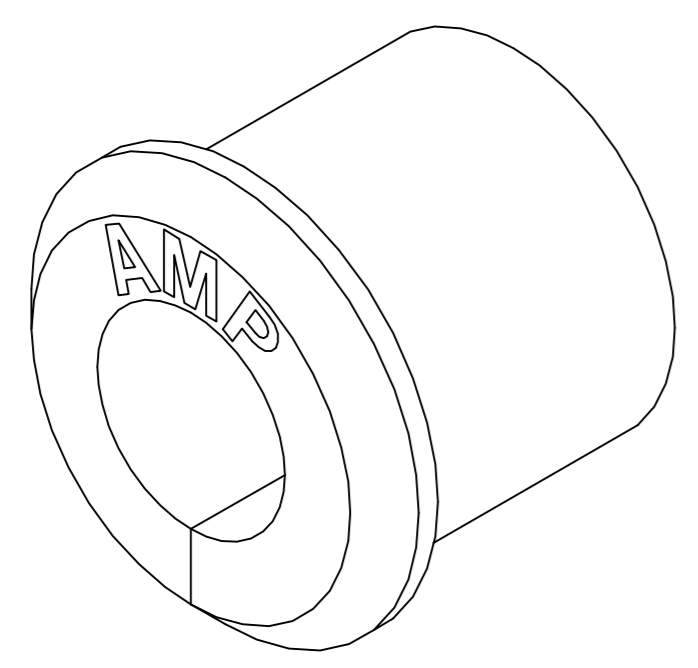


THIS DRAWING IS UNPUBLISHED. RELEASED FOR PUBLICATION
 © COPYRIGHT BY TYCO ELECTRONICS CORPORATION. ALL RIGHTS RESERVED.

| LOC | | DIST | | REVISIONS | | | |
|-----|-----|---------------|---------|-----------|------|--|--|
| P | LTR | DESCRIPTION | DATE | DWN | APVD | | |
| G | | ECO-06-012706 | 08JUN06 | BSV | JR | | |



- USE WITH STRAIN RELIEF 350373.
- MOLDING COMPOUND PVC,FLEXIBLE, 55/75 DUROMETER (B SCALE),BLACK.
- MOLDING COMPOUND PVC,FLEXIBLE,BLACK.



3-DIMENSIONAL MODEL NTS

| | | |
|--------------------------|---------------|-------------|
| SUPERCEDED BY 2-350376-0 | $\triangle 3$ | 2-350376-0 |
| | $\triangle 2$ | 1-350376-0 |
| | MATERIAL | PART NUMBER |

| MM | IN | MM | IN | MM | IN |
|------|------|------|------|-------|------|
| 0.25 | .010 | 1.57 | .062 | 11.43 | .450 |
| 0.23 | .009 | 1.02 | .040 | 9.53 | .375 |
| 0.13 | .005 | 0.64 | .025 | 6.35 | .250 |
| 0.03 | .001 | 0.38 | .015 | 5.54 | .218 |

CONVERSION TABLE

METRIC

| | | | | |
|---|--|-------------------------------|---|--------------------|
| THIS DRAWING IS A CONTROLLED DOCUMENT. | | DWN K. WHITAKER 24MAR06 | Tyco Electronics Corporation Harrisburg, Pa 17105-3608 | |
| DIMENSIONS: mm | | CHK C. JONES 24MAR06 | NAME GROMMET,SPLIT,M.R. | |
| TOLERANCES UNLESS OTHERWISE SPECIFIED: 0 PLC ± - 1 PLC ± - 2 PLC ± - 3 PLC ± 0.13 4 PLC ± - ± 1'0" | | APVD C. JONES 24MAR06 | PRODUCT SPEC - | |
| MATERIAL SEE TABLE | | FINISH - | WEIGHT - | RESTRICTED TO - |
| CUSTOMER DRAWING | | SCALE 4:1 | SIZE A2 | CAGE CODE 00779 |
| | | DRAWING NO C=350376 | REV G | |

350376

Mouser Electronics

Authorized Distributor

Click to View Pricing, Inventory, Delivery & Lifecycle Information:

[TE Connectivity:](#)

[2-350376-0](#)