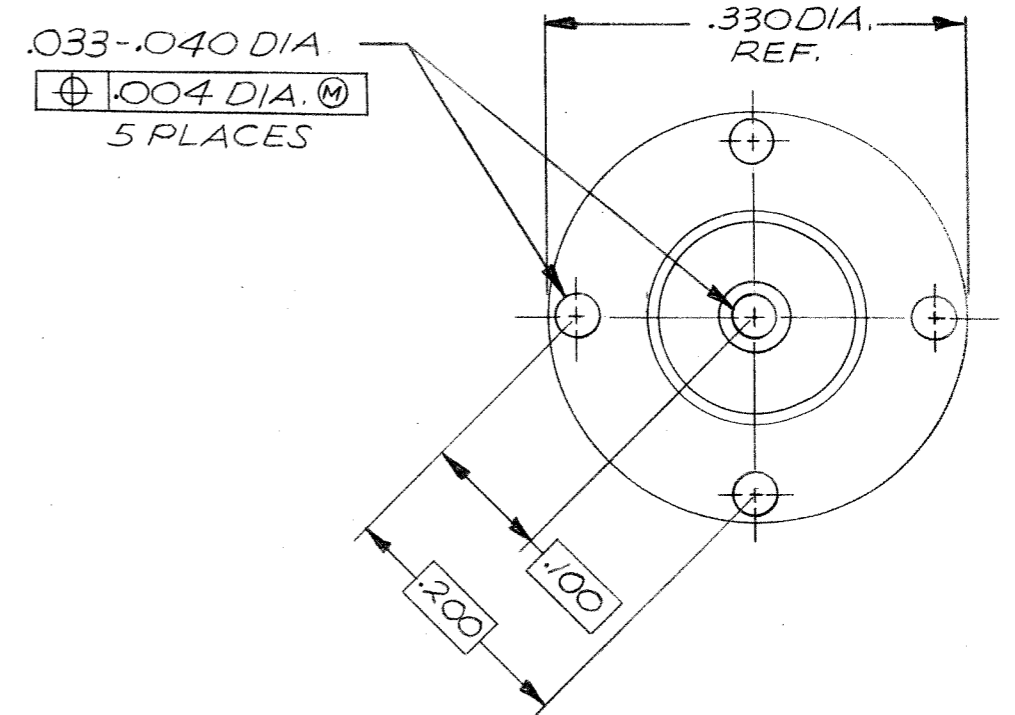
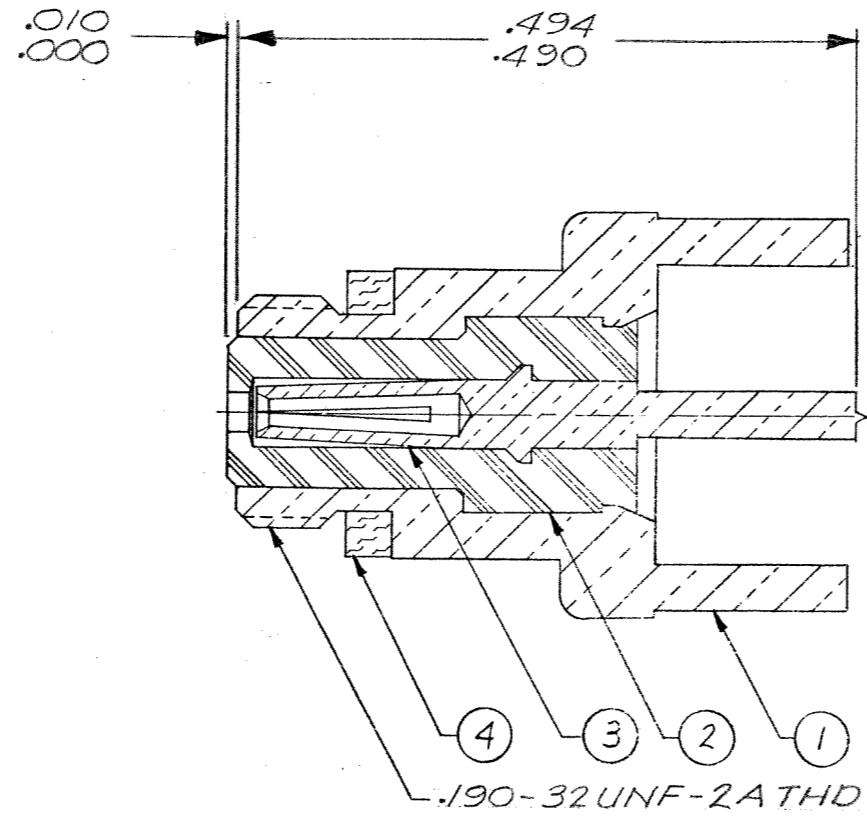


REVISIONS					
ZONE	LTR	ECN	DESCRIPTION	DATE	APPROVED
	L	24252	REVISED AND REDRAWN 7-10-77 ORIG. RELEASE 2-3-56 J.B.D./FELTS	7-11-79	J.M.H.
	M	36887	ITEM 4, WAS 003-0011-0001	3-11-97	
	N	38496	UPDATE REV. LETTER	1-22-97	



NOTES:
 1. THIS CONNECTOR MATES WITH ALL 50 SERIES SCREW-ON PLUGS AS LISTED IN MALCO CATALOG.

Tyco Dwg 1466289
 Micro P/N 03100590001

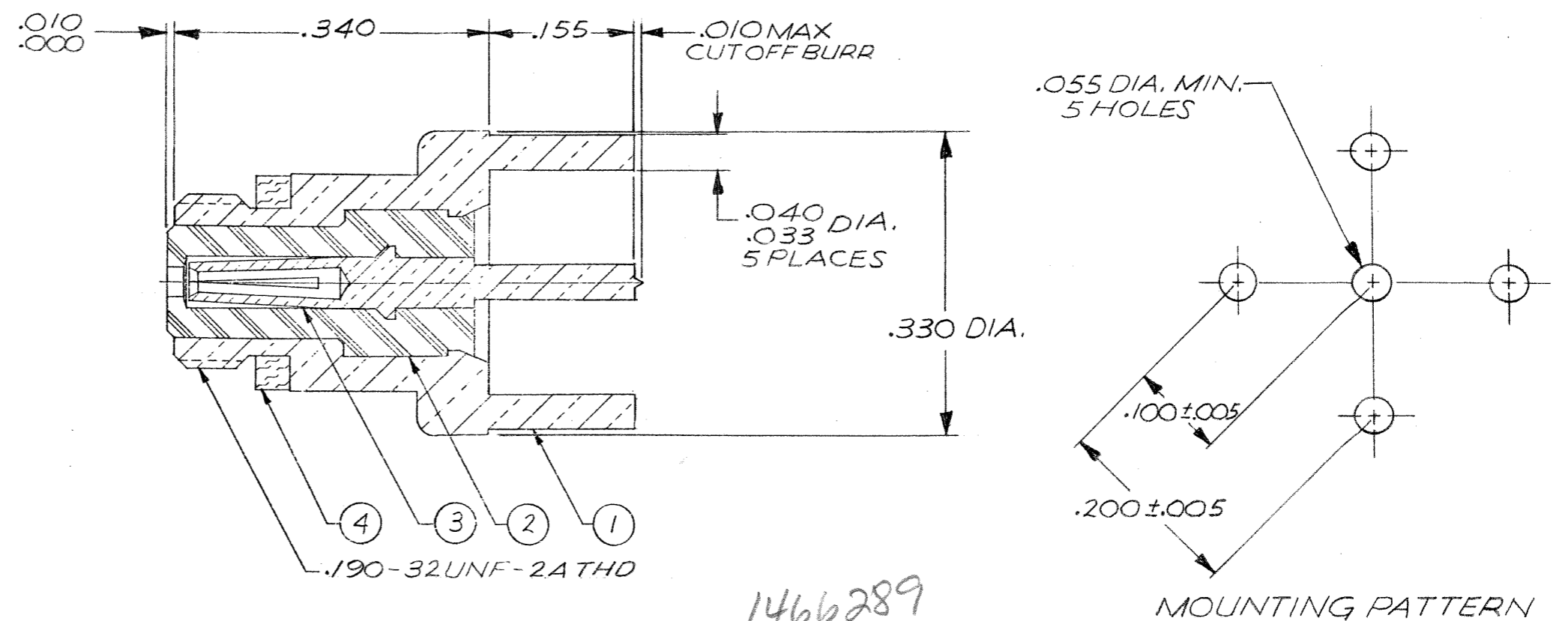
QTY REQD	CODE IDENT	PART OR IDENTIFYING NO.	DESCRIPTION	MAT'L AND SPEC.	ITEM NO.
1		003-0268-0000	GASKET	SILICONE RUBBER ZZ-R-765	4
1		003-1334-0002	CONTACT, SOCKET	BERYLLIUM COPPER, QQ-C-530	3
1		003-1332-0001	INSULATOR	TEFLON PER L-P-403	2
1		003-1327-0001	HOUSING	BRASS PER QQ-B-626	1

PARTS LIST			CONTRACT NO.		MALCO A MICRODOT COMPANY, INC. 220 PASADENA AVE., SO. PASADENA, CALIF. 91030	
UNLESS OTHERWISE SPECIFIED DIMENSIONS ARE IN INCHES TOLERANCES ARE: FRACTIONS DECIMALS ANGLES ± .XX ± ±			APPROVALS	DATE		RECEPTACLE PRINTED CIRCUIT
MATERIAL			DRAWN	7-31-79	PRGD. CODE 931	
FINISH			CHECKED	7-11-79	CODE M	
NEXT ASSY			PR. ENG.	7-12-79		
USED ON			APPD.			
APPLICATION			DO NOT SCALE DRAWING		SIZE B	
					CODE IDENT NO. 98278	
					DRAWING NO. 031-0059-0001	
					SCALE	
					SHEET / OF /	

D
C
B
A

REVISIONS					
ZONE	LTR	ECN	DESCRIPTION	DATE	APPROVED
	L	24252	REVISED & REDRAWN 7-10-79 ORIG. RELEASE 2-3-56 J.R.D./FEL	7-11-79	[Signature]
	M	36837	ITEM 4, WAS 003-0011-0001	3-11-97	[Signature]
	N	38496	UPDATE REV. LETTER	1-22-99	[Signature]

D
C
B
A



- NOTES: UNLESS OTHERWISE SPECIFIED.
- THIS CONNECTOR MATES WITH ALL 50 SERIES SCREW-ON PLUGS AS LISTED IN MALCO CATALOG.
 - SILVER PLATE .0002 MIN. PER QQ-S-365, TYPE II, GRADE A.
 - GOLD PLATE PER MIL-G-45204, TYPE II, GRADE C, CLASS I.

QTY REQD	CODE IDENT	PART OR IDENTIFYING NO.	DESCRIPTION	MAT'L AND SPEC.	ITEM NO.
1		003-0268-0000	GASKET	SILICONE RUBBER, ZZ-R-765	4
1		003-1334-0000	CONTACT, SOCKET	BERYLLIUM COPPER, QQ-C-530	3
1		003-1332-0001	INSULATOR	TEFLON PER L-P-403	2
1		003-1327-0001	HOUSING	BRASS PER QQ-B-626	1

UNLESS OTHERWISE SPECIFIED DIMENSIONS ARE IN INCHES TOLERANCES ARE: FRACTIONS DECIMALS ANGLFS ± .XX ± .XXX ± .010		CONTRACT NO.		MALCO A MICRODOT COMPANY, INC. 220 PASADENA AVE., SO. PASADENA, CALIF. 91050	PROD. CODE 931 CODE CD
MATERIAL NOTED		APPROVALS DRAWN [Signature] 1-21-79 CHECKED [Signature] 7-11-79 PR. ENG. [Signature] 7-11-79 APPD.			
FINISH NOTED		RECEPTACLE PRINTED CIRCUIT		SIZE B	CODE IDENT NO. 98278
NEXT ASSY		DRAWING NO. 031-0059-0001		SHEET / OF /	
USED ON		SCALE		DO NOT SCALE DRAWING	
APPLICATION		SHEET / OF /		SHEET / OF /	

Mouser Electronics

Authorized Distributor

Click to View Pricing, Inventory, Delivery & Lifecycle Information:

[TE Connectivity:](#)

[031-0059-0001](#)