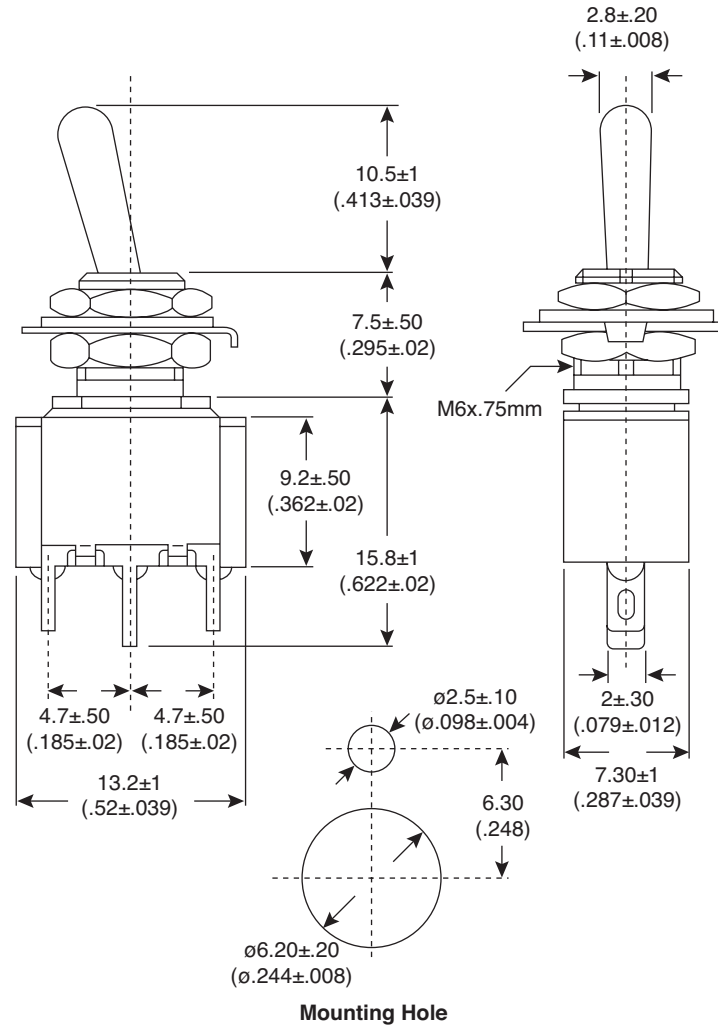


DIMENSIONS: mm (in.)



Electrical Specifications:

- Rating: 6A/125VAC, 3A/250VAC
- Contact resistance: 50m Ω max
- Insulation resistance: 100M Ω min. 500VDC
- Dielectric strength: 1000VAC 1 min
- Electrical Life: 10,000 cycles

Mechanical Specifications:

- Mechanical life: 100,000 cycles
- Operating temperature: -20°C to +65°C
- Circuit: 3P SPDT On-On

Note:

- RoHS Compliant by Exemption

Miniature Toggle Switch
1055-TA1130B-EVX



Mouser Electronics

Authorized Distributor

Click to View Pricing, Inventory, Delivery & Lifecycle Information:

[Mountain Switch:](#)

[1055-TA1130B-EVX](#)