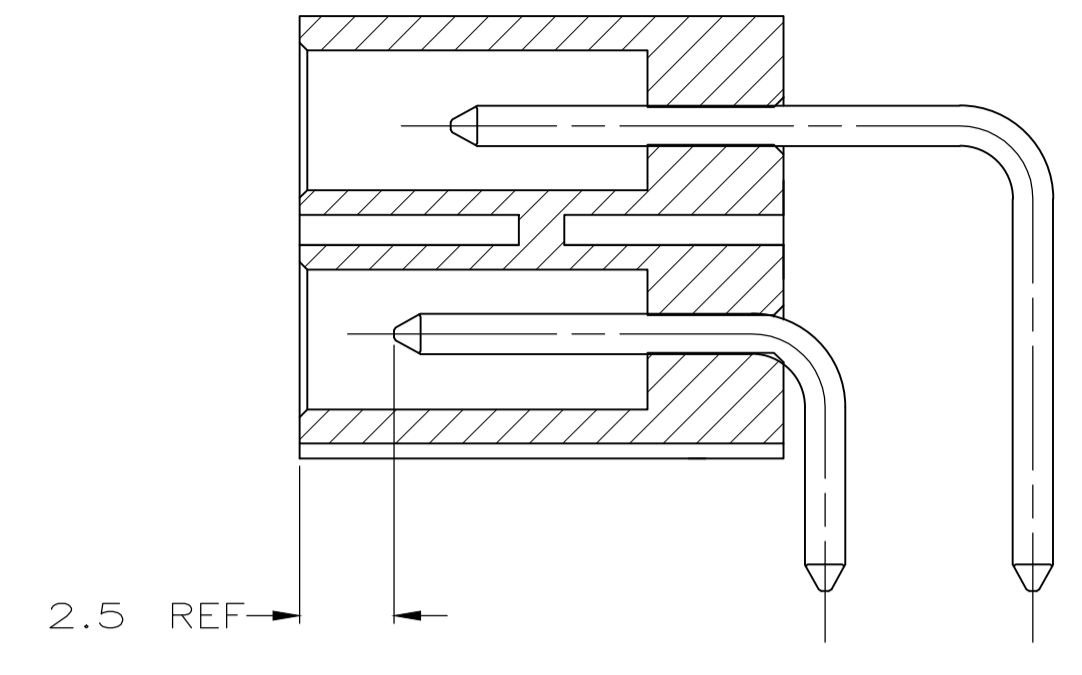
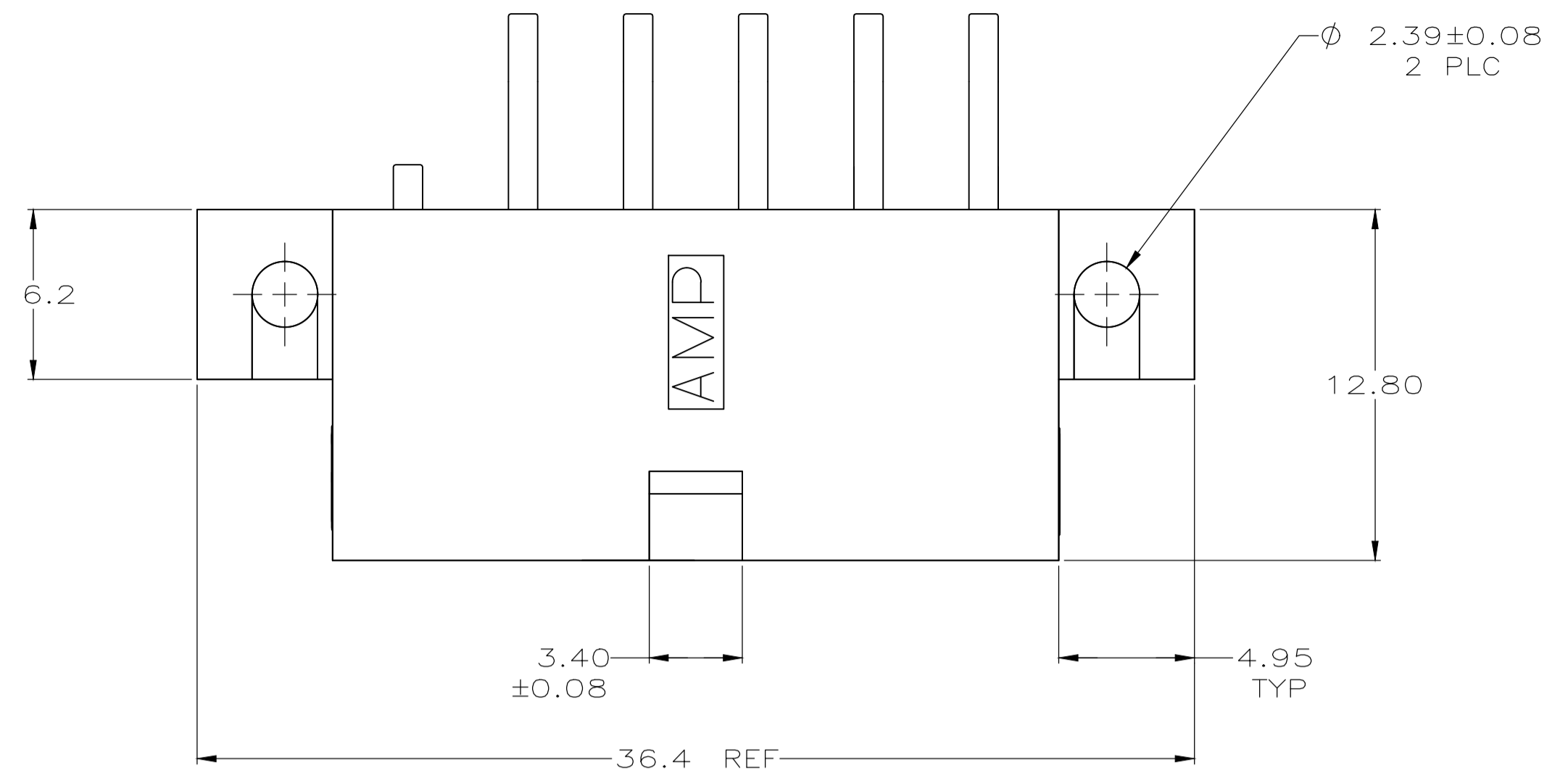
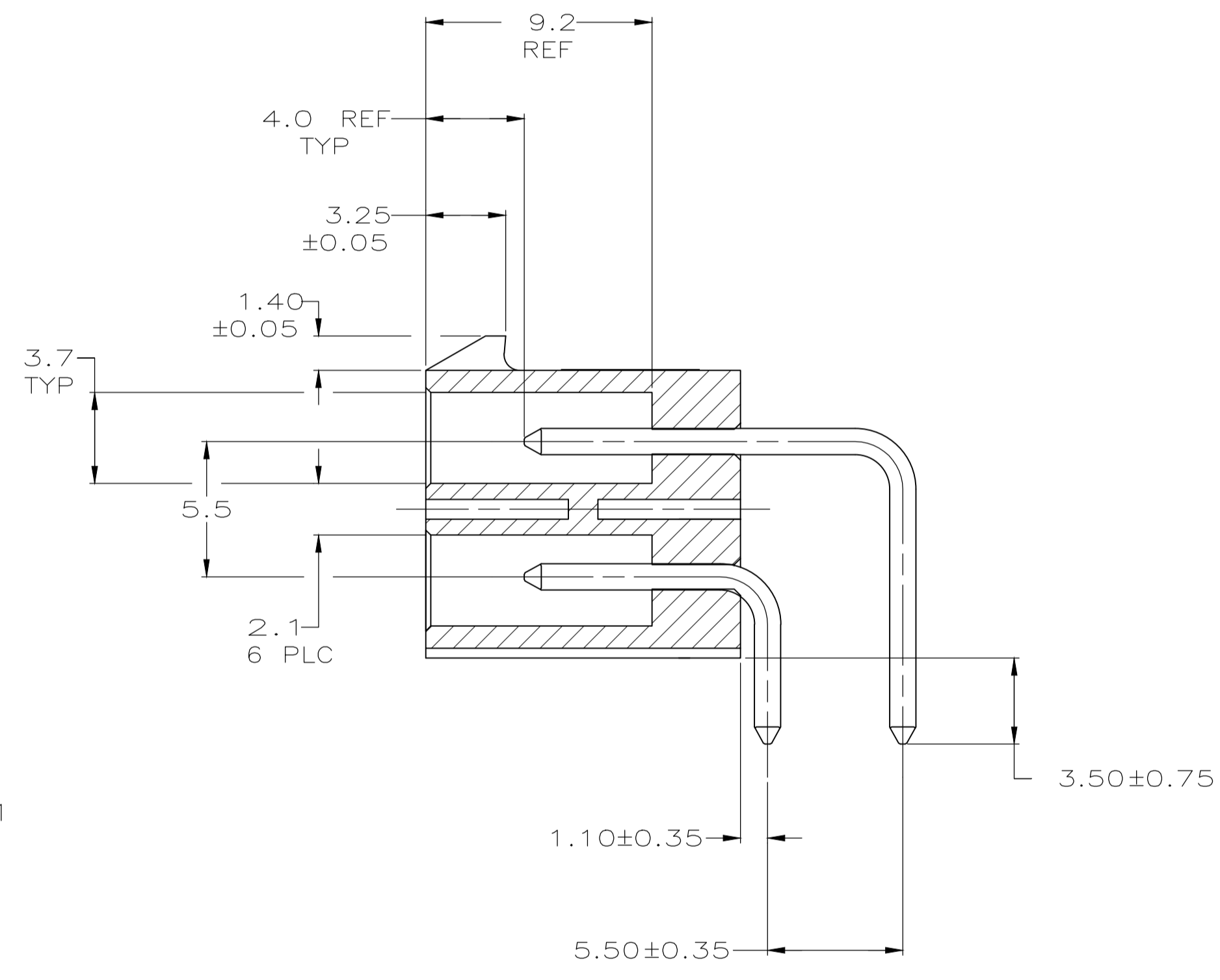
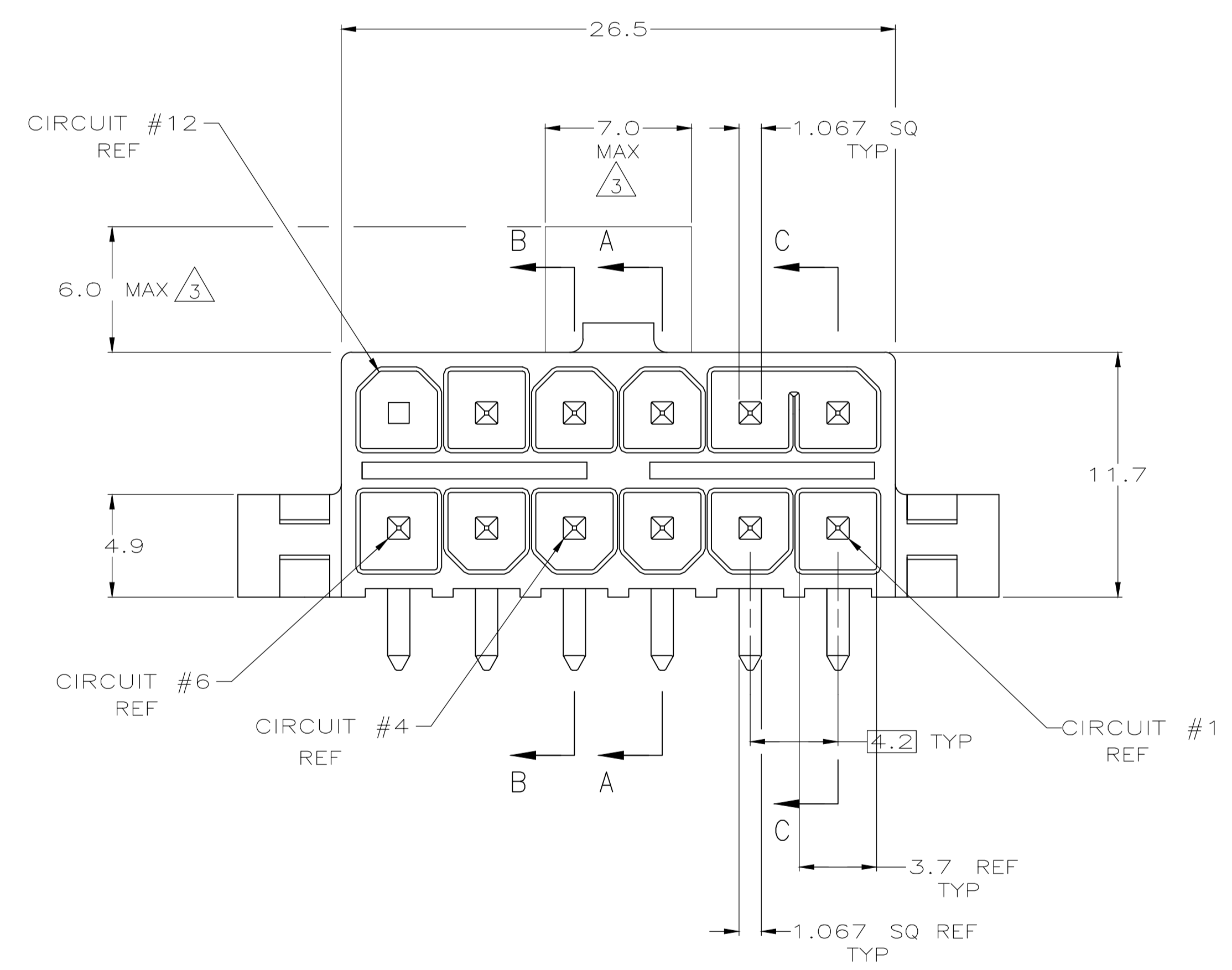


REVISIONS				
P	LTR	DESCRIPTION	DATE	APPD
A4	REV PER ECO-19-003314		04MAR2019	OL SZ

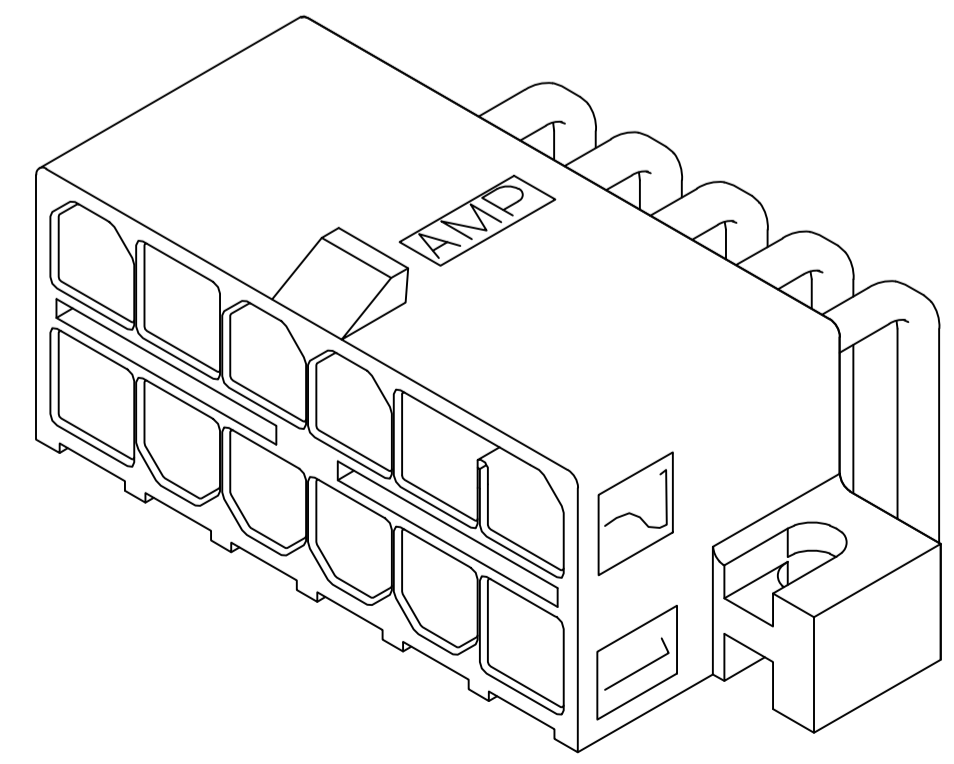
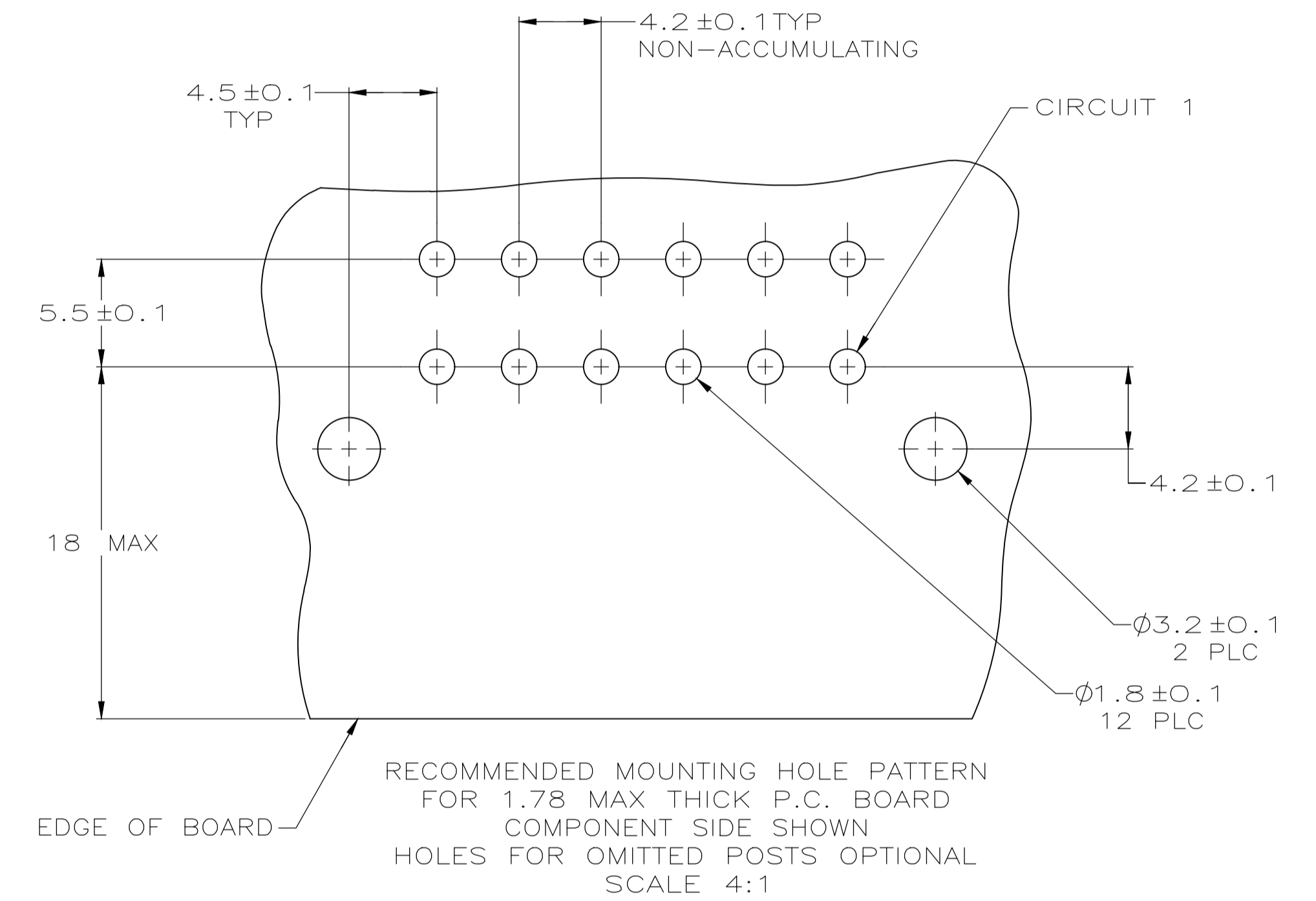


SECTION B-B

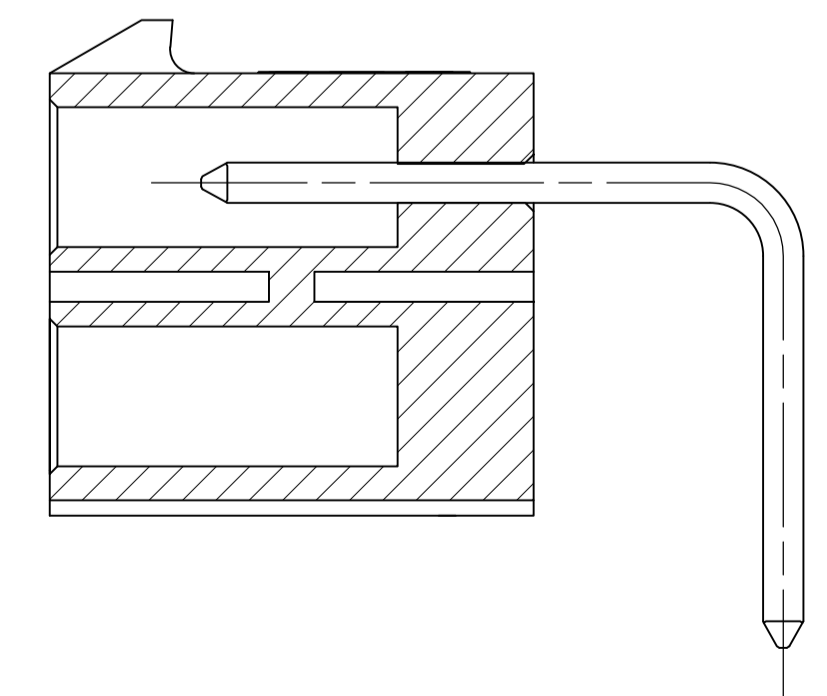
- 1 CONTACT: 0.00076 GOLD AT INTERFACE. 0.00254 MIN MATTE TIN ON SOLDER TAIL. 0.00127 MIN NICKEL UNDERPLATE ALL OVER.
- 2 MATES WITH AMP-DUAC/PL PLUG RECEPTACLE 794156 AND ITS CONTACTS.
- 3 CLEARANCE ENVELOPE FOR MATING PLUG RECEPTACLE LATCH.
- 5 ALL POSTS STANDARD.
- 6 CONTACT GROUND POST LOCATED IN CIRCUIT 4.
- 7 POST 10 OMITTED.
- 8 POST 12 OMITTED.
- 9 POST 2,5,7,12 OMITTED.
- 10 POST 5 OMITTED.
- 11 CONTACT GROUND POST LOCATED IN CIRCUITS 3 AND 4.
- 12 POSITIONS 1 AND 12 MOLDED SHUT.
- 13 POSITIONS 5, 10 AND 12 OMITTED.
- 14 GROUND POSTS IN LOCATIONS:1,2,5,6,7,8,11,12



SECTION A-A



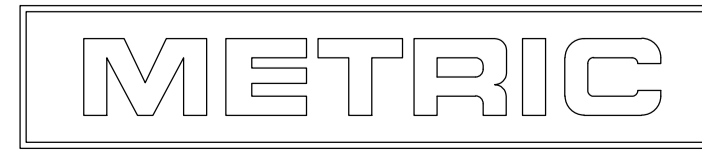
3-DIMENSIONAL MODEL NTS



SECTION C-C APPLIES TO -8 ONLY

5794176-5 SHOWN

	MATERIAL	FINISH	MATERIAL	COLOR	PART NUMBER
14	BRASS	1	PBT, UL94V-0	NATURAL(WHITE)	5794176-9
6/3	BRASS	1	PBT, UL94V-0	NATURAL(WHITE)	5794176-8
6/10	BRASS	1	PBT, UL94V-0	NATURAL(WHITE)	5794176-7
9/11	BRASS	1	PBT, UL94V-0	NATURAL(WHITE)	5794176-6
6/8	BRASS	1	PBT, UL94V-0	NATURAL(WHITE)	5794176-5
6/7	BRASS	1	PBT, UL94V-0	NATURAL(WHITE)	5794176-4
6	BRASS	1	PBT, UL94V-0	NATURAL(WHITE)	5794176-3
5	BRASS	1	PBT, UL94V-0	NATURAL(WHITE)	5794176-2



THIS DRAWING IS A CONTROLLED DOCUMENT.

DIMENSIONS: mm	TOLERANCES UNLESS OTHERWISE SPECIFIED:	DIN R. GRZYBOWSKI 04MAR05	APVD A. FRANTUM 04MAR05	TE Connectivity Ltd.	
0 PLC ± -	1 PLC ± 0.2	NAME	NAME	HEADER ASSEMBLY, RIGHT ANGLE, 12 CIRCUIT, AMP-DUAC/PL(TM) POWER CONNECTOR	
2 PLC ± 0.13	3 PLC ± -	PRODUCT SPEC	PRODUCT SPEC	SIZE	RESTRICTED TO
4 PLC ± -	ANGLES ± - ± 0° 30'	108-1646	114-6067	114-6067	00779
MATERIAL SEE TABLE	FINISH SEE TABLE	WEIGHT 0	SCALE 5:1	SHEET 1 of 1	REV A4