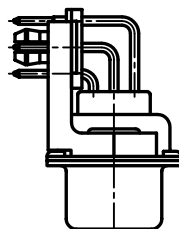
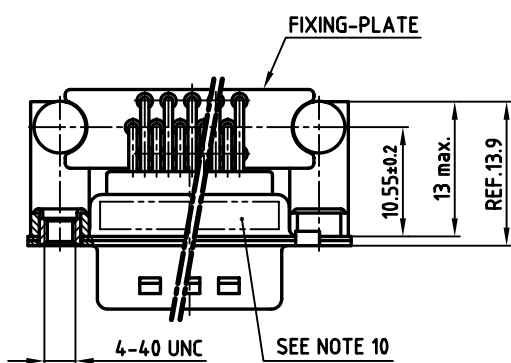
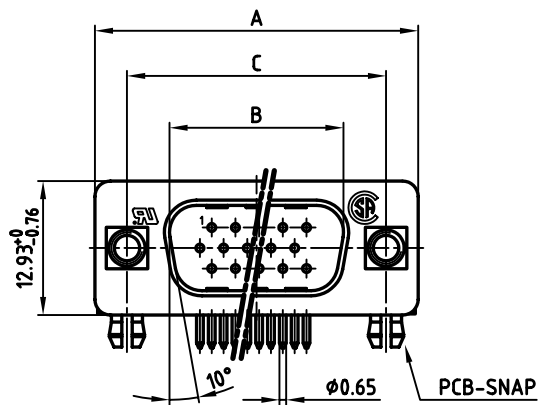
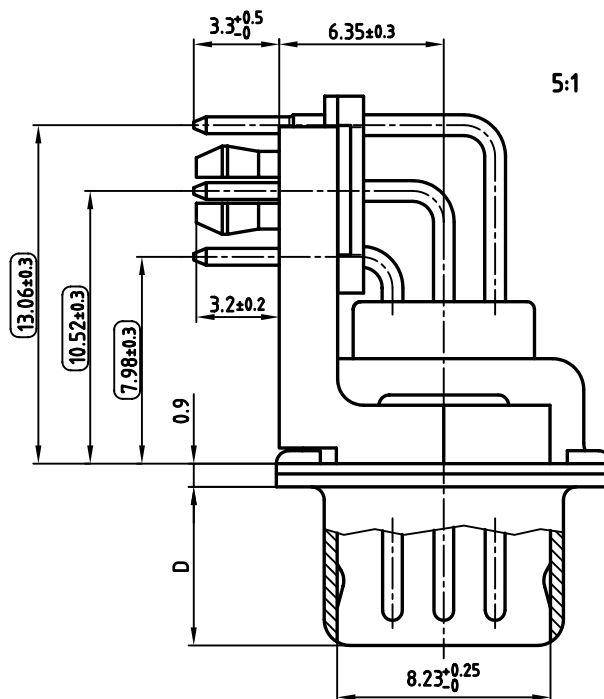


used for: D-SUB HD

POS.	A -0.76	B $+0.25$	C	D -0.3	Part NO.
15	31.19	16.79	25.00 $+0.12$ -0.13	6.12	163A17769X
26	39.52	25.12	33.30 $+0.15$ -0.1	6.12	163A17779X
44	53.42	38.84	47.04 $+0.13$	5.99	163A17789X
62	69.70	55.30	63.50 $+0.13$	5.99	163A17799X



NOTES:

- METALSHELLS: STEEL; min. 320µ" TIN
- INSULATORS: PBT GF UL 94 V-0, BLACK
- CONTACTS: COPPER ALLOY
PLATING: 8µ" HARD GOLD OVER min. 50µ" NICKEL
- METAL BRACKET: DIE-CASTING; min. 320µ" TIN over 80µ" NICKEL
- THREADED INSERT: COPPER ALLOY; min. 200µ" TIN over 80µ" NICKEL
- PCB-SNAP: COPPER ALLOY; min. 200µ" TIN over 80µ" NICKEL
PCB-HOLE: $\phi 3.1 \pm 0.1$; PCB THICKNESS 1.6mm
- FIXING-PLATE: PBT GF UL 94 V-0, BLACK
- P.C.B. HOLE DRILLINGS ON SHEET 2
- MAXIMUM TORQUE VALUE FOR THREAD: 6" LBS
- CONNECTOR IS PART MARKED: PART-NO. CONEC ABC
- = CHECK DIMENSION

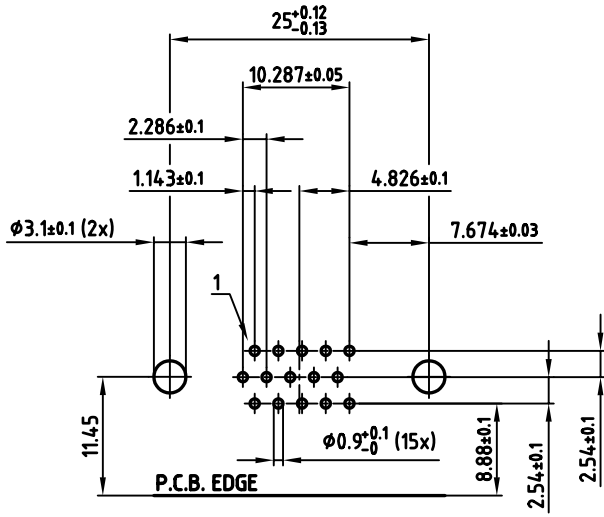
Directive 2002/95/EC
 "RoHS"
 Compliant

APPROVAL * FREIGABE * DEBLOCAGE * AUTORIZACION * APPROVAL	
CUSTOMER APPROVAL DATE:	
NAME:	TITLE:
COMPANY NAME:	
APPROVAL * FREIGABE * DEBLOCAGE * AUTORIZACION * APPROVAL	

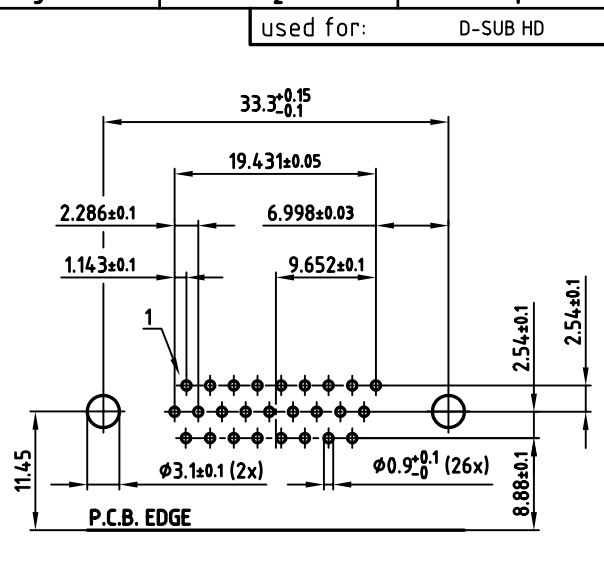
THIS DRAWING MAY NOT BE COPIED OR REPRODUCED IN ANY WAY, AND MAY NOT BE PASSED ON TO A THIRD PARTY, WITHOUT WRITTEN PERMISSION.
 OWNERSHIP AND COPYRIGHT OF CONEC GmbH
DO NOT ALTER CAD DRAWING BY HAND

	tolerance	dim. in mm	scale: 2:1 (5:1)	material: SEE NOTES
	2006	date	title: D-SUB HD MALE 90° 15-62pos. 0.350inch	
	drawn	27.01.	threaded insert, metal bracket, fixing-plate, clip	
	appd.	27.01.	dwg no: AutoCAD 2004	
	norm	DIN 41652	DIN-A	
	d-old		3	
	a	Origin	sh: 1/2	
rev.	description	date	part no: 16K1A1722	
			SEE TABLE	



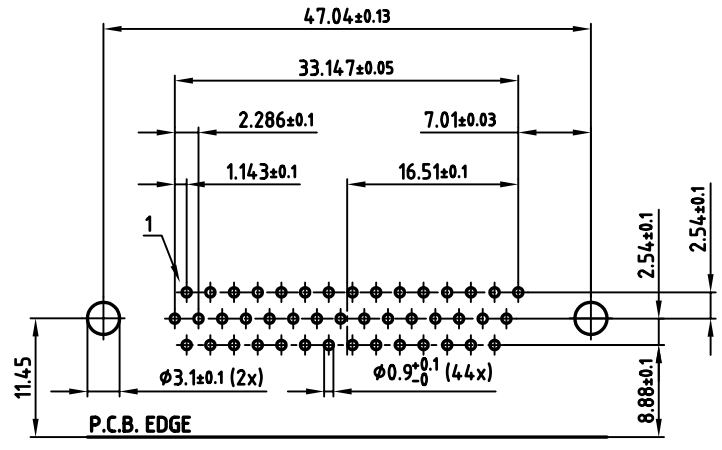


15pos.

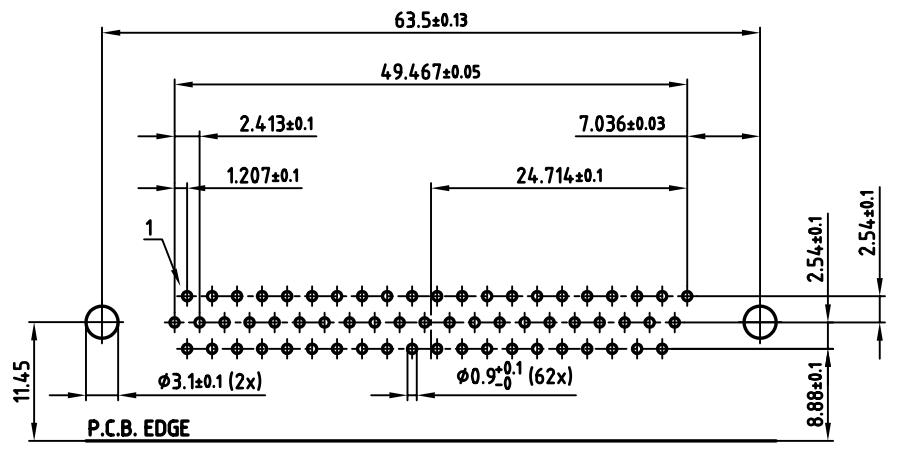


26pos.

used for: D-SUB HD



44pos.



62pos.

APPROVAL # FREIGABE # DEBLOCAGE # AUTORIZACION # APPROVAL	
CUSTOMER APPROVAL DATE:	
NAME:	TITLE:
COMPANY NAME:	
APPROVAL # FREIGABE # DEBLOCAGE # AUTORIZACION # APPROVAL	

THIS DRAWING MAY NOT BE COPIED OR REPRODUCED IN ANY WAY, AND MAY NOT BE PASSED ON TO A THIRD PARTY, WITHOUT WRITTEN PERMISSION. OWNERSHIP AND COPYRIGHT OF CONEC GmbH DO NOT ALTER CAD DRAWING BY HAND

rev.	description	date	name
a	Origin		

tolerance		scale:	2:1
	dim. in mm	material:	SEE SHEET 1
2006	date	name	
drawn	27.01.	Lehmenkühler	
appd.	27.01.	Mickenbecker	
norm			
d-old			

title:	P.C.B. HOLE DRILLINGS	
	D-SUB HD MALE 90° 15-62pos. 0.350inch threaded insert, metal bracket, fixing-plate, clip	
dwg no:	AutoCAD 2004	DIN-A
	16K1A1722	3
		sh:2/2
part no:	SEE SHEET 1	

Mouser Electronics

Authorized Distributor

Click to View Pricing, Inventory, Delivery & Lifecycle Information:

[CONEC:](#)

[163A17769X](#) [163A17779X](#) [163A17789X](#) [163A17799X](#)