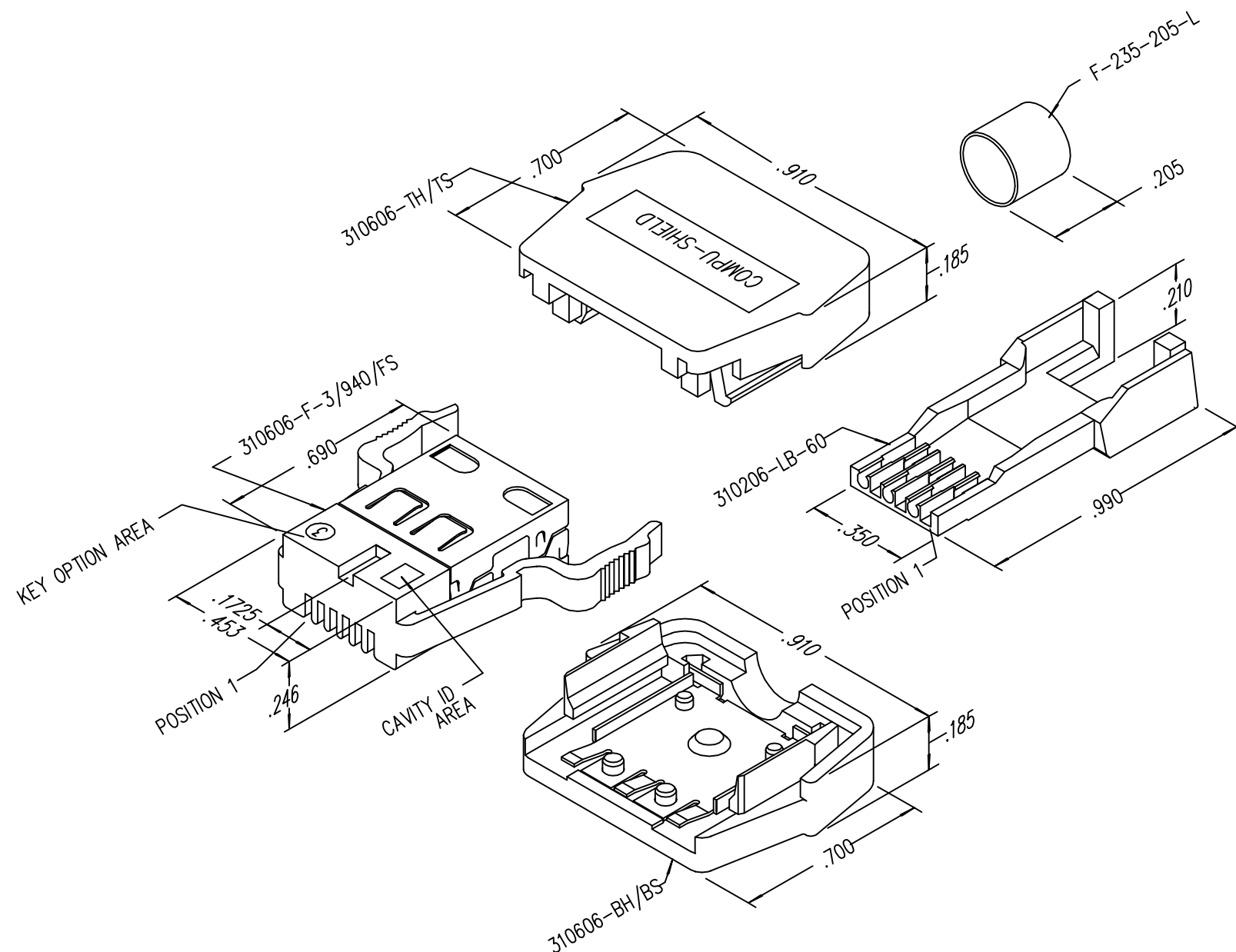


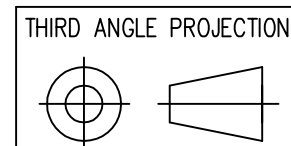
DATE	REV	ECN	APP'D. BY
1-5-15	B8	10169	TRM
3-16-16	B9	10612	TRM



NOTES:

- PLUG MATERIALS:  
 TOP/BOTTOM HOUSING: PC UL94 V-0 COLOR: BLACK  
 FRONT PLASTIC: PC UL94 V-0 COLOR: ORANGE  
 LOAD BAR: PC UL94 V-0 COLOR: CLEAR  
 CONTACTS/SHIELD: COPPER ALLOY  
 SHIELD PLATING: TIN  
 FERRULE PLATING: NICKEL OR TIN  
 CONTACT PLATING: SELECTIVE GOLD IN CONTACT AREA  
 SEE CHART FOR PART NUMBER
- CONTACTS TERMINATE SOLID OR STRANDED CONDUCTORS  
 UP TO .064" OUTSIDE DIAMETER ON POSITION #1 & #6 CONDUCTORS,  
 UP TO .021" OUTSIDE DIAMETER ON POSITION #2 & #5 CONDUCTORS,  
 AND UP TO .042" OUTSIDE DIAMETER ON POSITION #3 & #4 CONDUCTORS
- DIMENSIONS AND TOLERANCES COMPLY WITH TIA-1096 STANDARD.
- HOUSING WILL ACCEPT CABLE UP TO .220" OUTSIDE DIAMETER OF JACKET
- FOR PRODUCT SPECIFICATIONS SEE PR026-01
- TERMINATED PLUG HEIGHT .234±.002 ON CABLE

50 MICRO-INCHES [1.27um]	SS-310606-3-60
CONTACT PLATING IN MATING AREA	PART NUMBER



DO NOT SCALE DRAWING  
DRAWING IS SUBJECT TO  
CHANGE WITHOUT NOTICE

DIMENSIONS: INCHES [METRIC]  
UNLESS OTHERWISE SPECIFIED  
TOLERANCES ARE ±.005 [0.13]  
ANGLES ARE ± 1°

SHEET NO. 1 OF 1

1118 Susquehanna Trail South  
Glen Rock, PA 17327-9199  
(717) 235-7512  
<http://www.stewartconnector.com>

TITLE: COMPU-SHIELD PLUG

THIS DRAWING AND THE SUBJECT MATTER SHOWN THEREON  
ARE CONFIDENTIAL AND THE PROPRIETARY PROPERTY OF  
STEWART CONNECTOR AND SHALL NOT BE REPRODUCED,  
COPIED, OR USED IN ANY MANNER WITHOUT PRIOR WRITTEN  
CONSENT OF STEWART CONNECTOR. ONE OR MORE U.S. PATENTS  
MAY APPLY TO THIS PRODUCT. FOR DETAILS, PLEASE  
VISIT: [HTTP://BELFUSE.COM/STEWART/STEWART\\_PATENTS/](http://BELFUSE.COM/STEWART/STEWART_PATENTS/)

DRN BY:	TRM	DATE	6-1-05
APPD BY:	RGC	DATE	6-1-05
DWG NO.	CT310014	REV.	B9



# Mouser Electronics

Authorized Distributor

Click to View Pricing, Inventory, Delivery & Lifecycle Information:

Bel:

[SS-310606-3-60](#)