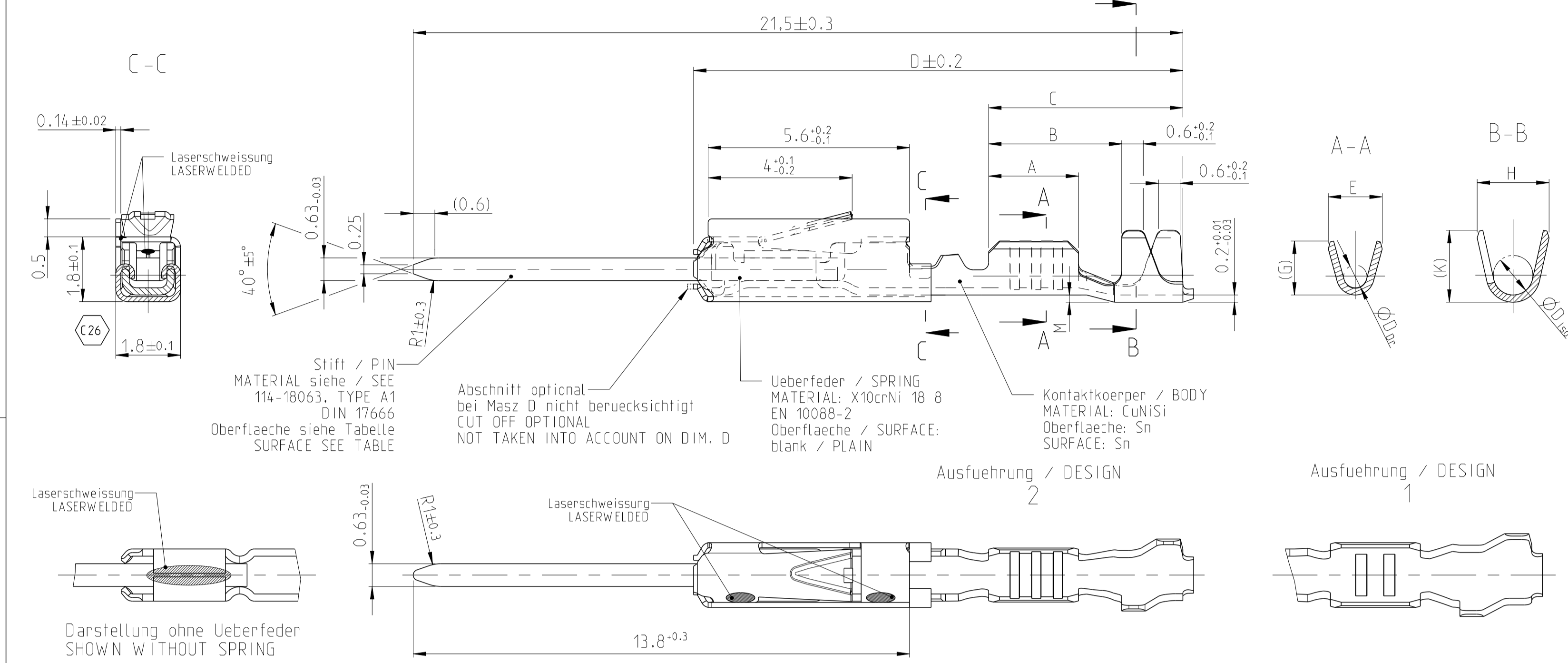
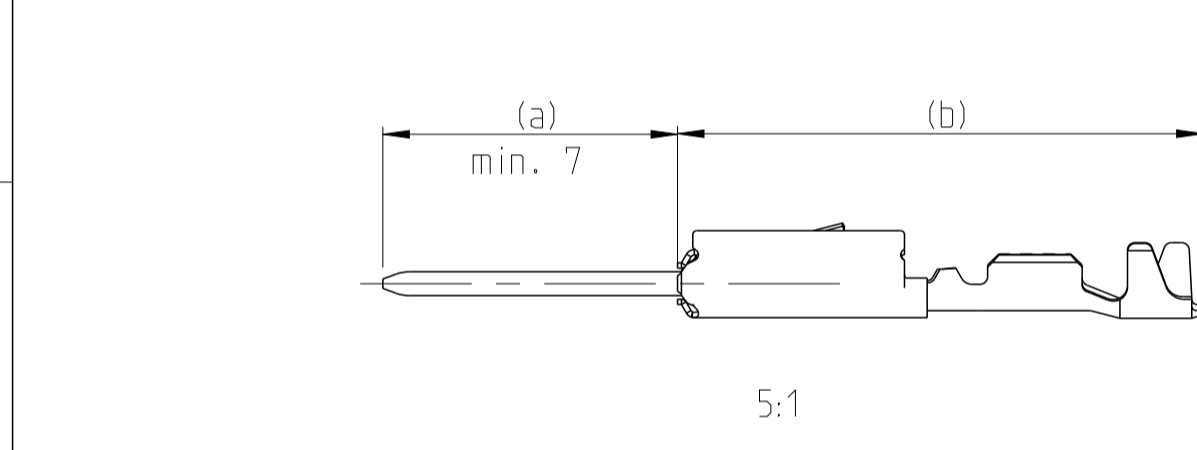


### Normale Anwendung USUAL APPLICATION



### Oberflaeche / FINISH



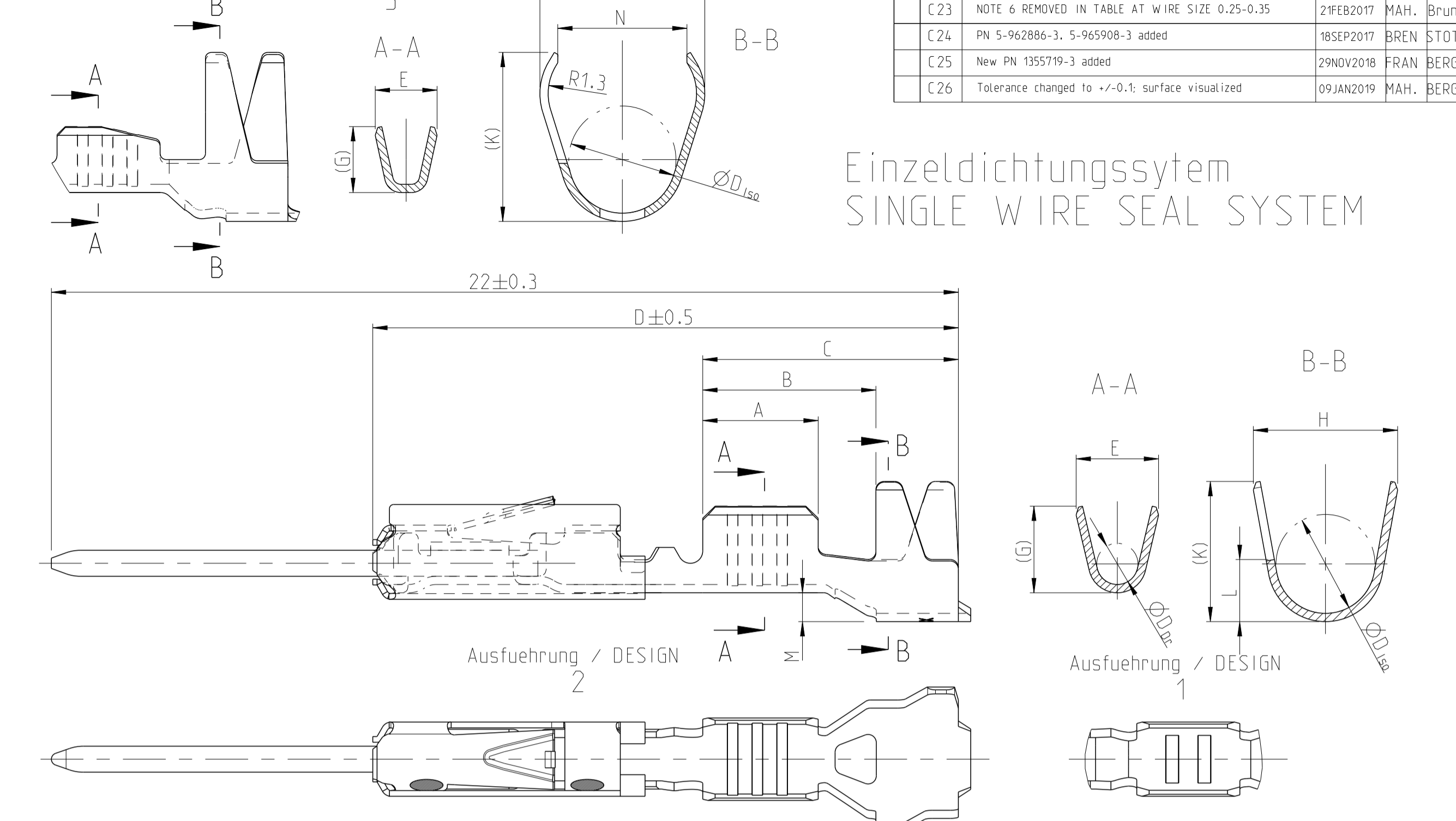
Sn: verzinnert  
TINNED  
(a) PIN: 0.8µm - 3.0µm Sn ueber/OVER 1.27µm - 3.0µm Ni  
(b) Kontaktkoerper/BODY: 0.8µm - 2.0µm Sn

Ag: versilbert  
SILVER  
(a) PIN: 2.0µm - 6.0µm Ag  
(b) Kontaktkoerper/BODY: 0.8µm - 2.0µm Sn

Au: vergoldet  
GOLD  
(a) PIN: min. 0.8µm Au ueber/OVER 1.0µm - 2.2µm Ni  
(b) Kontaktkoerper/BODY: 0.8µm - 2.0µm Sn

| Bestell-Nr. Ausfuhrung ORDER NO. DESIGN | Bestell-Nr. Ausfuhrung ORDER NO. DESIGN | Rev.       | Bestell-Nr. Ausfuhrung ORDER NO. DESIGN | Rev.      | Ueberfeder vorhanden SPRING AVAILABLE | VERSION                                      | DGB Wire Size Range mm <sup>2</sup>                   | Oberflaeche SURFACE                                   | Laenge LENGTH mm  | Drahtcrimp WIRE CRIMP mm                                | Iso-crimp INSU-CRIMP mm                                 | Gewicht WEIGHT g | Verarbeitung Spez. APPLICATION SPEC. | DGB Wire Size Range mm <sup>2</sup> | Isolations Ø INSULATION DIA. mm | fuer Kammer Ø3.45 FOR CAVITY DIA. 3.45 mm | Blindstopfen RUBBER PLUG | fuer Kammer Ø4 FOR CAVITY DIA. 4 mm | Blindstopfen RUBBER PLUG  |  |  |  |  |
|---|---|------------|---|-----------|---------------------------------------|--|---|---|---|---|---|------------------|--------------------------------------|-------------------------------------|---------------------------------|---|--------------------------|-------------------------------------|---------------------------|--|--|--|--|
| 5-965908-3                              | A                                       |            |   |           | ja / YES                              | Einzelichtungssystem SINGLE WIRE SEAL SYSTEM | 0.50-0.75   | Ag  | A = 2.8<br>B = 4.2<br>C = 6.2<br>D = 14.3<br>M = 0.7    | E = 2<br>G = 2.1<br>D <sub>Dr</sub> = 1                 | H = 3.5<br>K = 3.4<br>L = 1.5<br>D <sub>Iso</sub> = 2.4 | 0.18             | 114-18025                            | 0.75                                | 1.4-1.9                         | 967067-1<br>gruen GREEN                   | 967056-1<br>blau / BLUE  | 963142-1<br>schwarz BLACK           | 963143-1<br>weiss / WHITE |  |  |  |  |
| 5-965908-2                              | F                                       | 965908-2   | E                                       | ja / YES  | Au                                    |  |   | A = 2.5<br>B = 3.5<br>C = 5.9<br>D = 14<br>M = 0.7    | E = 1.8<br>G = 1.8<br>D <sub>Dr</sub> = 0.8             | H = 3.5<br>K = 3.4<br>L = 1.5<br>D <sub>Iso</sub> = 2.4 | 0.16  | 0.35             |                                      | 0.9-1.4                             | 967067-2<br>gelb YELLOW         | 963142-2<br>grau GREY                     |                          |                                     |                           |  |  |  |  |
| 5-965908-1                              | D                                       | 965908-1   | C                                       | ja / YES  | Sn                                    |  |   | A = 2.5<br>B = 4<br>C = 5.9<br>D = 13.9<br>M = 0.6    | E = 1.5<br>G = 1.4                                      | H = 4<br>K = 3.9<br>L = 3.1<br>D <sub>Iso</sub> = 2.6   | 0.15  | 0.13             |                                      | 0.85-1.25                           | 967067-2<br>gelb YELLOW         | 963142-2<br>grau GREY                     |                          |                                     |                           |  |  |  |  |
| -                                       | -                                       | 1-962886-1 | N                                       | nein / NO |                                       |  |   |   |   |   |   |                  |                                      |                                     |                                 |   |                          |                                     |                           |  |  |  |  |
| 5-962886-3                              | A                                       |            |   |           | ja / YES                              |  |   | Ag  | A = 2.5<br>B = 3.5<br>C = 5.9<br>D = 14<br>M = 0.7      | E = 1.8<br>G = 1.8<br>D <sub>Dr</sub> = 0.8             | H = 3.5<br>K = 3.4<br>L = 1.5<br>D <sub>Iso</sub> = 2.4 | 0.16             |                                      | 0.2                                 |                                 |   |                          |                                     |                           |  |  |  |  |
| 5-962886-2                              | R                                       | 962886-2   | M                                       | ja / YES  | Au                                    |  |   | A = 2.5<br>B = 3.5<br>C = 5.9<br>D = 14<br>M = 0.7    | E = 1.8<br>G = 1.8<br>D <sub>Dr</sub> = 0.8             | H = 3.5<br>K = 3.4<br>L = 1.5<br>D <sub>Iso</sub> = 2.4 | 0.16  | 0.2              |                                      |                                     |                                 |   |                          |                                     |                           |  |  |  |  |
| 5-962886-1                              | N                                       | 962886-1   | M                                       | ja / YES  | Sn                                    |  | A = 2.5<br>B = 3.5<br>C = 5.9<br>D = 14<br>M = 0.7    | E = 1.8<br>G = 1.8<br>D <sub>Dr</sub> = 0.8           | H = 3.5<br>K = 3.4<br>L = 1.5<br>D <sub>Iso</sub> = 2.4 | 0.16  | 0.2   |                  |                                      |                                     |                                 |   |                          |                                     |                           |  |  |  |  |
| 2141830-3                               | A                                       |            |   |           | ja / YES                              |  | Ag  | A = 2.5<br>B = 4<br>C = 5.9<br>D = 13.9<br>M = 0.6    | E = 1.5<br>G = 1.4                                      | H = 4<br>K = 3.9<br>L = 3.1<br>D <sub>Iso</sub> = 2.6   | 0.15  | 0.13             | 0.85-1.25                            | 967067-2<br>gelb YELLOW             | 963142-2<br>grau GREY           |   |                          |                                     |                           |  |  |  |  |
| 2141830-2                               | A                                       |            |   |           | ja / YES                              |  | Au  | A = 2.5<br>B = 4<br>C = 5.9<br>D = 13.9<br>M = 0.6    | E = 1.5<br>G = 1.4                                      | H = 4<br>K = 3.9<br>L = 3.1<br>D <sub>Iso</sub> = 2.6   | 0.15  | 0.13             | 0.85-1.25                            | 967067-2<br>gelb YELLOW             | 963142-2<br>grau GREY           |   |                          |                                     |                           |  |  |  |  |
| 2141830-1                               | A                                       |            |   |           | ja / YES                              |  | Sn  | A = 2.5<br>B = 4<br>C = 5.9<br>D = 13.9<br>M = 0.6    | E = 1.5<br>G = 1.4                                      | H = 4<br>K = 3.9<br>L = 3.1<br>D <sub>Iso</sub> = 2.6   | 0.15  | 0.13             | 0.85-1.25                            | 967067-2<br>gelb YELLOW             | 963142-2<br>grau GREY           |   |                          |                                     |                           |  |  |  |  |
| 6-963716-2                              | A                                       |            |   |           | nein / NO                             |  | Au  | A = 2.8<br>B = 3.8<br>C = 5.6<br>D = 13.65<br>M = 0.2 | E = 2<br>G = 2.1<br>D <sub>Dr</sub> = 1                 | H = 2.7<br>K = 2.9<br>L = 0.7<br>D <sub>Iso</sub> = 1.6 | 0.17  |                  |                                      |                                     |                                 |   |                          |                                     |                           |  |  |  |  |
| 6-963716-1                              | A                                       |            |   |           | nein / NO                             |  | Sn  | A = 2.8<br>B = 3.8<br>C = 5.6<br>D = 13.65<br>M = 0.2 | E = 2<br>G = 2.1<br>D <sub>Dr</sub> = 1                 | H = 2.7<br>K = 2.9<br>L = 0.7<br>D <sub>Iso</sub> = 1.6 | 0.12  |                  |                                      |                                     |                                 |   |                          |                                     |                           |  |  |  |  |
| 5-963716-3                              | A                                       | 1-963716-2 | B                                       | nein / NO |                                       |  |   |   |   |   |   |                  |                                      |                                     |                                 |   |                          |                                     |                           |  |  |  |  |
| 5-963716-2                              | Z                                       | 963716-2   | Y                                       | ja / YES  | ja / YES                              | Ag   | A = 2.5<br>B = 3.6<br>C = 5.6<br>D = 13.65<br>M = 0.2 | E = 1.8<br>G = 1.8<br>D <sub>Dr</sub> = 0.8           | H = 2.3<br>K = 2.3<br>L = 0.6<br>D <sub>Iso</sub> = 1.4 | 0.16  |   |                  |                                      |                                     |                                 |   |                          |                                     |                           |  |  |  |  |
| 5-963716-1                              | W                                       | 963716-1   | V                                       | ja / YES  | ja / YES                              | Au   | A = 2.5<br>B = 3.6<br>C = 5.6<br>D = 13.65<br>M = 0.2 | E = 1.8<br>G = 1.8<br>D <sub>Dr</sub> = 0.8           | H = 2.3<br>K = 2.3<br>L = 0.6<br>D <sub>Iso</sub> = 1.4 | 0.16  |   |                  |                                      |                                     |                                 |   |                          |                                     |                           |  |  |  |  |
| 6-928918-3                              | Z                                       | 1-928918-2 | Y                                       | ja / YES  | ja / YES                              | Sn   | A = 2.5<br>B = 3.6<br>C = 5.6<br>D = 13.65<br>M = 0.2 | E = 1.8<br>G = 1.8<br>D <sub>Dr</sub> = 0.8           | H = 2.3<br>K = 2.3<br>L = 0.6<br>D <sub>Iso</sub> = 1.4 | 0.16  |   |                  |                                      |                                     |                                 |   |                          |                                     |                           |  |  |  |  |
| 6-928918-2                              | A                                       | 928918-2   | Y                                       | nein / NO | nein / NO                             | Ag   | A = 2.5<br>B = 3.6<br>C = 5.6<br>D = 13.65<br>M = 0.2 | E = 1.8<br>G = 1.8<br>D <sub>Dr</sub> = 0.8           | H = 2.3<br>K = 2.3<br>L = 0.6<br>D <sub>Iso</sub> = 1.4 | 0.16  |   |                  |                                      |                                     |                                 |   |                          |                                     |                           |  |  |  |  |
| 6-928918-1                              | W                                       | 928918-1   | V                                       | ja / YES  | ja / YES                              | Au   | A = 2.5<br>B = 3.6<br>C = 5.6<br>D = 13.65<br>M = 0.2 | E = 1.8<br>G = 1.8<br>D <sub>Dr</sub> = 0.8           | H = 2.3<br>K = 2.3<br>L = 0.6<br>D <sub>Iso</sub> = 1.4 | 0.16  |   |                  |                                      |                                     |                                 |   |                          |                                     |                           |  |  |  |  |
| 5-928918-2                              | A                                       | 928918-2   | Y                                       | nein / NO | nein / NO                             | Sn   | A = 2.5<br>B = 3.6<br>C = 5.6<br>D = 13.65<br>M = 0.2 | E = 1.8<br>G = 1.8<br>D <sub>Dr</sub> = 0.8           | H = 2.3<br>K = 2.3<br>L = 0.6<br>D <sub>Iso</sub> = 1.4 | 0.16  |   |                  |                                      |                                     |                                 |   |                          |                                     |                           |  |  |  |  |
| 5-928918-1                              | W                                       | 928918-1   | V                                       | nein / NO | nein / NO                             | Ag   | A = 2.5<br>B = 3.6<br>C = 5.6<br>D = 13.65<br>M = 0.2 | E = 1.8<br>G = 1.8<br>D <sub>Dr</sub> = 0.8           | H = 2.3<br>K = 2.3<br>L = 0.6<br>D <sub>Iso</sub> = 1.4 | 0.16  |   |                  |                                      |                                     |                                 |   |                          |                                     |                           |  |  |  |  |
| 2141828-3                               | A                                       |            |   |           | ja / YES                              | Ag   | A = 2.5<br>B = 3.7<br>C = 5.4<br>D = 13.65<br>M = 0   | E = 1.5<br>G = 1.4                                    | H = 2<br>K = 1.9<br>D <sub>Iso</sub> = 1.1              | 0.15  |   |                  |                                      |                                     |                                 |   |                          |                                     |                           |  |  |  |  |
| 2141828-2                               | A                                       |            |   |           | ja / YES                              | Au   | A = 2.5<br>B = 3.7<br>C = 5.4<br>D = 13.65<br>M = 0   | E = 1.5<br>G = 1.4                                    | H = 2<br>K = 1.9<br>D <sub>Iso</sub> = 1.1              | 0.15  |   |                  |                                      |                                     |                                 |   |                          |                                     |                           |  |  |  |  |
| 2141828-1                               | A                                       |            |   |           | ja / YES                              | Sn   | A = 2.5<br>B = 3.7<br>C = 5.4<br>D = 13.65<br>M = 0   | E = 1.5<br>G = 1.4                                    | H = 2<br>K = 1.9<br>D <sub>Iso</sub> = 1.1              | 0.15  |   |                  |                                      |                                     |                                 |   |                          |                                     |                           |  |  |  |  |
| 1355719-3                               | A                                       |            |   |           | ja / YES                              | Ag   | A = 2.5<br>B = 3.7<br>C = 5.4<br>D = 13.65<br>M = 0   | E = 1.5<br>G = 1.5<br>D <sub>Dr</sub> = 0.65          | H = 2<br>K = 2<br>D <sub>Iso</sub> = 1.1                | 0.15  |   |                  |                                      |                                     |                                 |   |                          |                                     |                           |  |  |  |  |
| 1355719-2                               | C                                       |            |   |           | ja / YES                              | Au   | A = 2.5<br>B = 3.7<br>C = 5.4<br>D = 13.65<br>M = 0   | E = 1.5<br>G = 1.5<br>D <sub>Dr</sub> = 0.65          | H = 2<br>K = 2<br>D <sub>Iso</sub> = 1.1                | 0.15  |   |                  |                                      |                                     |                                 |   |                          |                                     |                           |  |  |  |  |
| 1355719-1                               | C                                       |            |   |           | ja / YES                              | Sn   | A = 2.5<br>B = 3.7<br>C = 5.4<br>D = 13.65<br>M = 0   | E = 1.5<br>G = 1.5<br>D <sub>Dr</sub> = 0.65          | H = 2<br>K = 2<br>D <sub>Iso</sub> = 1.1                | 0.15  |   |                  |                                      |                                     |                                 |   |                          |                                     |                           |  |  |  |  |

### Ausfuhrung / DESIGN



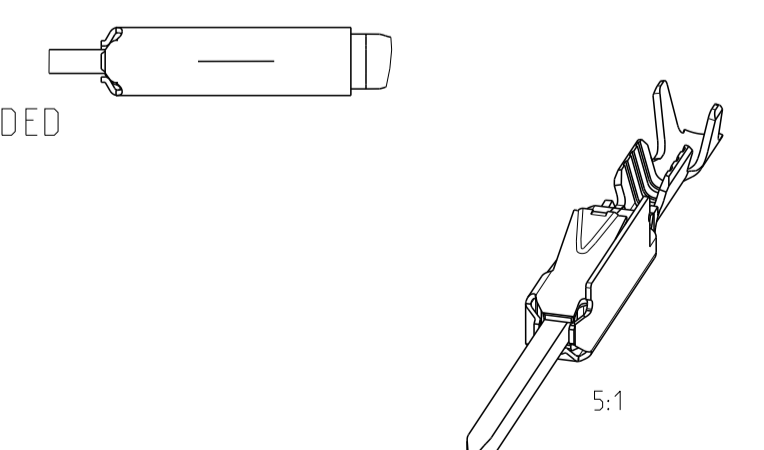
Ausfuhrung ohne Ueberfeder  
nur fuer umspritzte Anwendungen  
WITHOUT SPRING  
ONLY FOR OVERMOLDING

### Einzelichtungssystem SINGLE WIRE SEAL SYSTEM

| LOC | DIST | REV | DATE      | BY   | APPV |
|-----|------|-----|-----------|------|------|
| A1  | -    | 1   | 21FEB2017 | MAH. | BRUN |
| C23 |      |     | 18SEP2017 | BREN | STOT |
| C24 |      |     | 29NOV2018 | FRAN | BERG |
| C25 |      |     | 09JAN2019 | MAH. | BERG |
| C26 |      |     |           |      |      |

### NOTES

- Bemerkungen
- Datumscode (Woche/Jahr z.B. KW 38/Jahr2009) und TE-Revision (z.B. Rev. A)  
DATE CODE (WEEK/YEAR E.G. WEEK NUMBER 38/YEAR2009) AND TE REVISION (E.G. REV. A)
  - Passend zu Buchsenkontakt siehe Zeichnung 929454  
SUITABLE FOR SOCKET CONTACT SEE DRAWING 929454
  - Einzelheiten der Ausfuhrung bleiben dem Hersteller ueberlassen  
DETAILS OF DESIGN ARE LEFT TO MANUFACTURER
  - Nur fuer FLR-Leitung nach DIN 72551 Teil 6  
FOR FLR-CONDUCTOR ACCORDING TO DIN 72551-6 ONLY
  - nicht fuer Neuanwendung  
NOT FOR NEW APPLICATION
  - zugverstaerkte Leitung nach LV 112-4  
REINFORCED WIRE ACCORDING LV 112-4
  - Bei doppelt fallenden Werkzeugen wird die erste Ueberfeder mit einer Kennzeichnung "-" versehen  
WITH DOUBLE OUT DIES THE FIRST SPRING WILL BE PROVIDED WITH AN INDICATION "-"



|  |  |                           |  |  |
|--|--|---------------------------|--|--|
| THIS DRAWING IS A CONTROLLED DOCUMENT. |  | OWN: S.Garcia 06JAN1999   | TE Connectivity  |  |
| DIMENSIONS: mm                         |  | CHK: R.Jetter 06JAN1999   | NAME: MQS Tabellenzeichnung Stiftkontakt TABLE PIN CONTACT |  |
| TOLERANCES UNLESS OTHERWISE SPECIFIED: |  | APV: M.Bleicher 13AUG2003 | SIZE: 108-18030 APPLICATION SPEC                           |  |
| MATERIAL: -                            |  | WEIGHT: -                 | RESTRICTED TO: -   |  |
| FINISH: -                              |  | CUSTOMER DRAWING          | SCALE: 10:1 SHEET 1 OF 1 REV: C26                          |  |