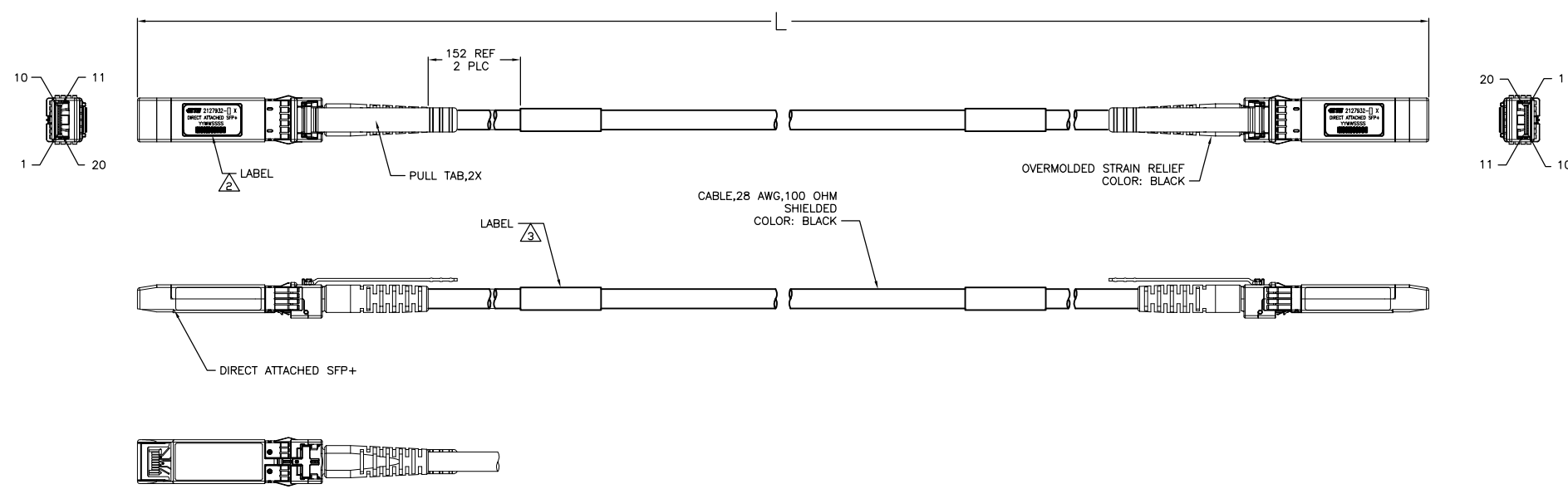
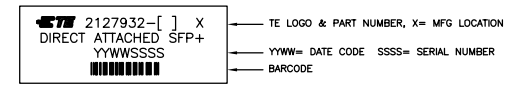


LOC		DIST		REVISIONS			
REV	DATE	DESCRIPTION	DATE	BY	APP	TS	CA
GP	00						
B		REVISED PER ECO-11-013122	29JUN2011				

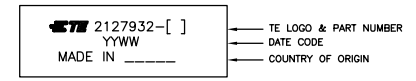


1. CHARACTERISTIC IMPEDANCE: 100±10 OHMS (MEASURED DIFFERENTIALLY).

△2 LABEL INFORMATION:



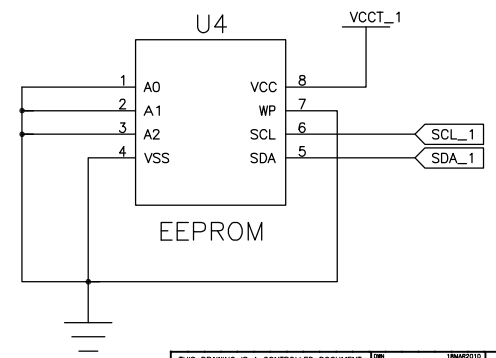
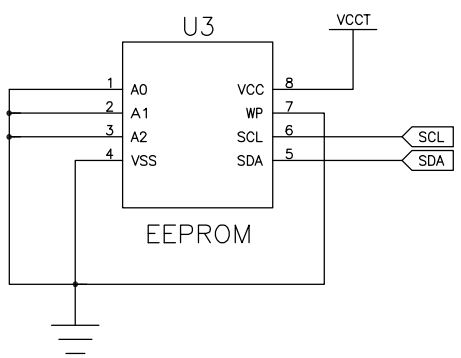
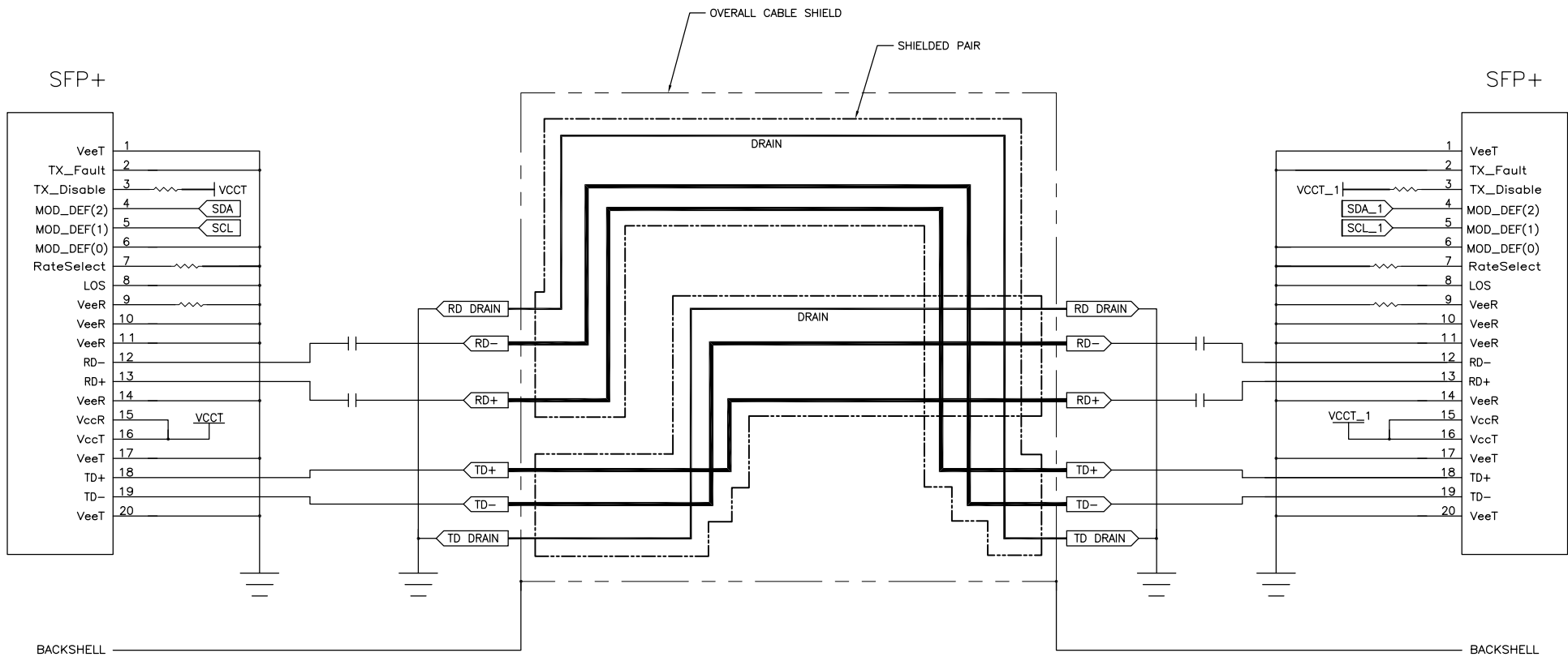
△3 LABEL INFORMATION:



- 4. SEE SHEET 2 FOR WIRING SCHEMATIC.
- 5. ROHS COMPLIANCE: PRODUCT AND PROCESSING MEETS REQUIREMENTS OF TE SPECIFICATION TEC-138-702.

5	+0.1 -0	METERS	2127932-6
4	+0.08 -0	METERS	2127932-5
3	+0.08 -0	METERS	2127932-4
2	+0.08 -0	METERS	2127932-3
1	+0.05 -0	METERS	2127932-2
0.5	+0.05 -0	METERS	2127932-1
L			PART NO

DIMENSIONS:		CUSTOMER LABELS:		DRAWN BY:		DATE:		REVISED BY:		DATE:	
mm	0 P.L.C. ± -	TE LOGO & PART NUMBER	2127932-[] X	SMITH	18M2010						
	1 P.L.C. ± -	DATE CODE	YYWW	ADAMS	18M2010						
	2 P.L.C. ± -	COUNTRY OF ORIGIN	MADE IN _____	ADAMS	18M2010						
	3 P.L.C. ± -										
	4 P.L.C. ± -										
	ANGLES ± -										
MATERIAL	FINISH	WEIGHT									
CUSTOMER DRAWING		SCALE	1:1	SHEET		1	of	2	REV		



THIS DRAWING IS A CONTROLLED DOCUMENT.		DRG	18M2010	
DRAWN BY: J. SMITH		CHKD	C. ADAMS	
CHECKED BY: C. ADAMS		APR	C. ADAMS	
DATE: 11/11/10		PRODUCT SPEC	18M2010	
APPLICATION SPEC		NAME		
MATERIAL		CABLE ASSY, 28 AWG, SFP+ TO SFP+		
FINISH		NL_PLATED		
SIZE	A1	CAGE CODE	00779	DRAWING NO
SCALE	1:1	REV	2	2
CUSTOMER DRAWING		SCALE 1:1 SHEET 2 OF 2 REV C		

Mouser Electronics

Authorized Distributor

Click to View Pricing, Inventory, Delivery & Lifecycle Information:

[TE Connectivity:](#)

[2127932-6](#)