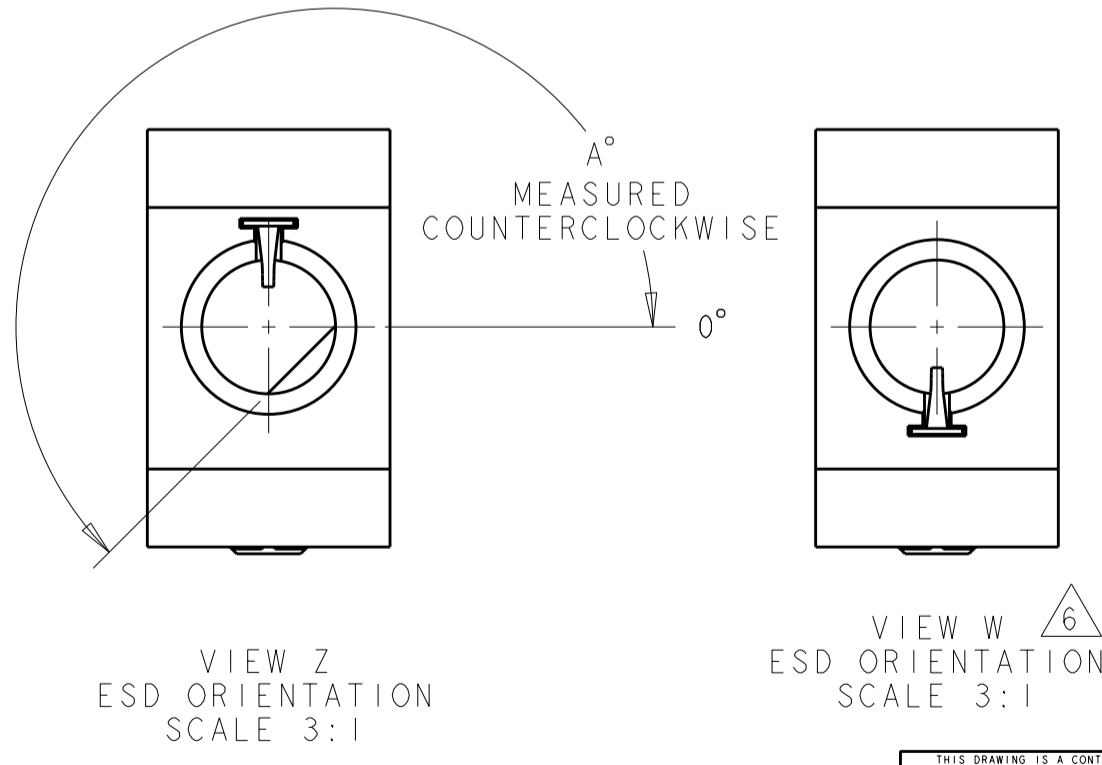
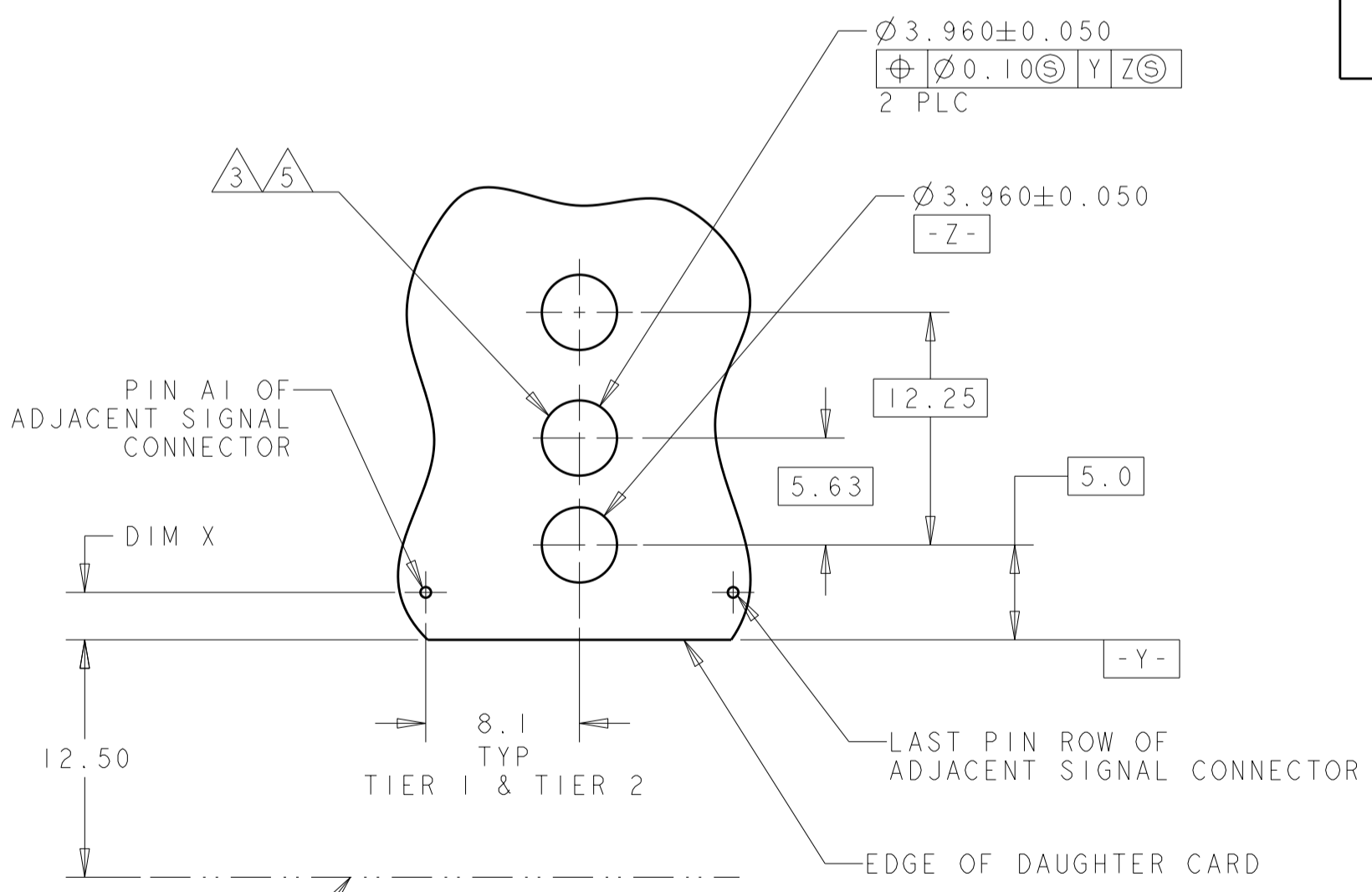
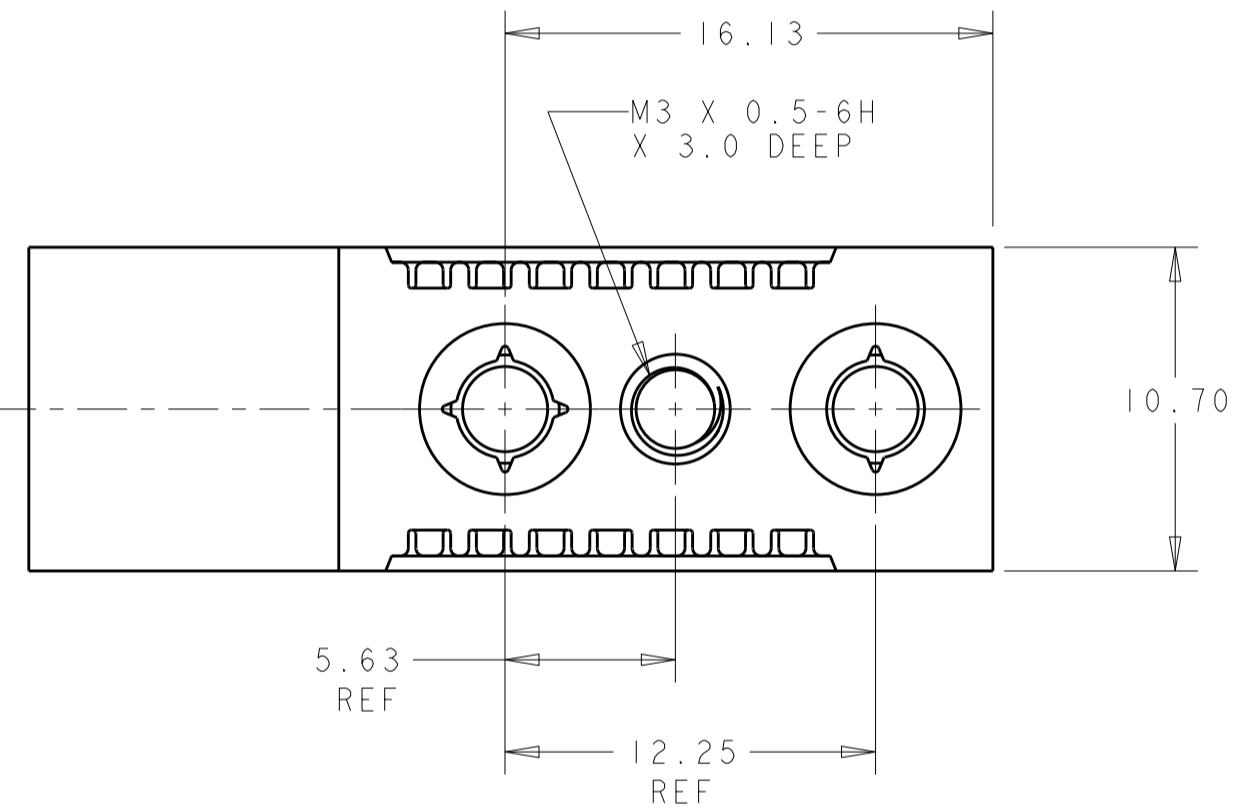
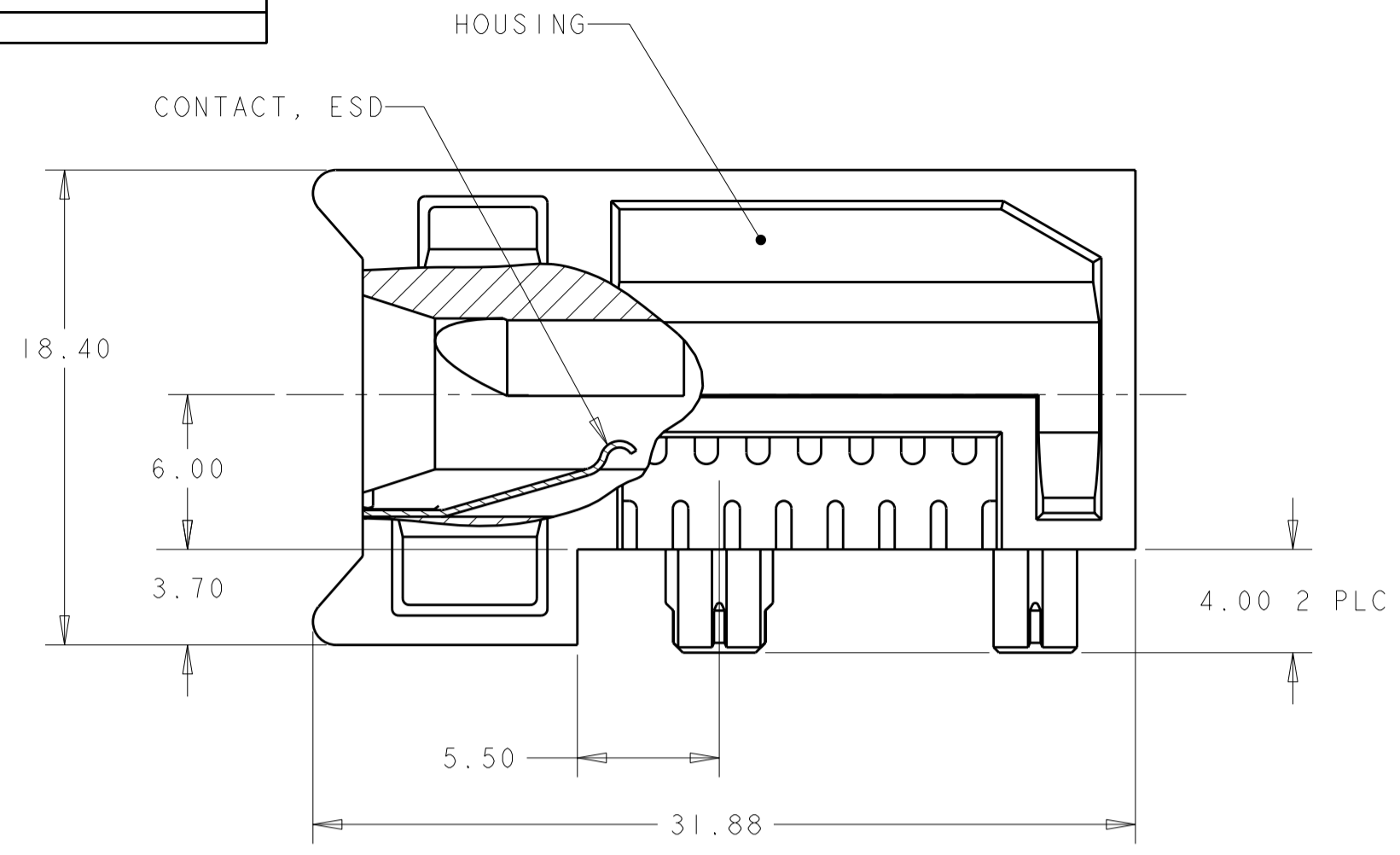
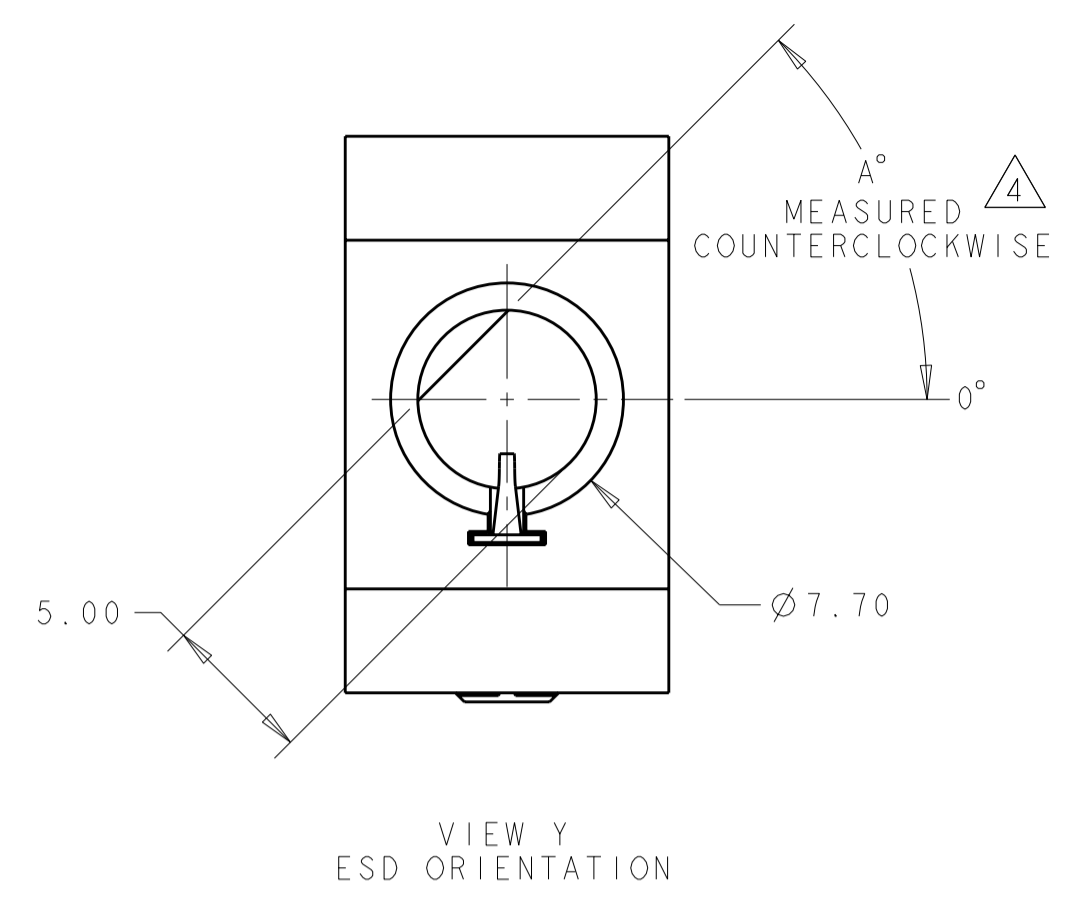


THIS DRAWING IS UNPUBLISHED. RELEASED FOR PUBLICATION 20  
 © COPYRIGHT 20 BY TYCO ELECTRONICS CORPORATION. ALL RIGHTS RESERVED.

LOC	DIST	REVISIONS					
GP	00	P	LTR	DESCRIPTION	DATE	DWN	APVD
		A		REV PER EC 0S12-0206-05	18APR2005	BC	GG
		A1		REV PER ECO-07-018424	04SEP2007	BC	GG
		A2		REVISED PER ECO-10-000445	25JAN2010	KK	HMR



- 1 MATERIAL:  
HOUSING: ZINC ALLOY DIE CASTING, ZAMAK 3  
CONTACT: PHOSPHOR BRONZE
- 2 FINISH:  
HOUSING: CHROMATE CONVERSION COATING  
ESD CONTACT: 1.27µm MINIMUM NICKEL ALL OVER
- 3 HOLE FOR POSITIVE RETENTION SCREW
- 4 DASH NUMBERS INDICATE KEY ORIENTATION  
(P/N 1410297-2 SHOWN ON DRAWING)
- 5 GROUND PAD Ø5mm ON RETENTION HARDWARE SIDE OF PCB
- 6 GUIDE MODULE W/O KEYING,  
GUIDE PIN 1410548-2 & 1410548-3 MUST BE ORIENTED  
TO PROVIDE PROPER ESD PERFORMANCE
- 7 FINISH:  
HOUSING: NICKEL OVER COPPER.  
ESD CONTACT: 1.27µm MINIMUM NICKEL ALL OVER.
- 8
- 9 OBSOLETE PARTS: OBSOLETE CIS STREAMLINING PER  
D.RENAUD/D.SINISI

VIEW	ANGLE	REVISION	DESCRIPTION
VIEW W	6°	7	1-1410297-9
VIEW Y	315°	7	1-1410297-8
VIEW Z	270°	7	1-1410297-7
VIEW Z	225°	7	1-1410297-6
VIEW Z	180°	7	1-1410297-5
VIEW Z	135°	7	1-1410297-4
VIEW Y	90°	7	1-1410297-3
VIEW Y	45°	7	1-1410297-2
VIEW Y	0°	7	1-1410297-1
SUPERSEDED BY	1-1410297-9	VIEW W	6° 2 1410297-9
SUPERSEDED BY	1-1410297-8	VIEW Y	315° 2 1410297-8
SUPERSEDED BY	1-1410297-7	VIEW Z	270° 2 1410297-7
SUPERSEDED BY	1-1410297-6	VIEW Z	225° 2 1410297-6
SUPERSEDED BY	1-1410297-5	VIEW Z	180° 2 1410297-5
SUPERSEDED BY	1-1410297-4	VIEW Z	135° 2 1410297-4
SUPERSEDED BY	1-1410297-3	VIEW Y	90° 2 1410297-3
SUPERSEDED BY	1-1410297-2	VIEW Y	45° 2 1410297-2
SUPERSEDED BY	1-1410297-1	VIEW Y	0° 2 1410297-1
ESD ORIENTATION		A°	PART NUMBER 4

DIM X	TIER 1	TIER 2
2.50	2.25	

THIS DRAWING IS A CONTROLLED DOCUMENT FOR TYCO ELECTRONICS CORPORATION. IT IS SUBJECT TO CHANGE AND THE CONTROLLING ENGINEERING ORGANIZATION SHOULD BE CONTACTED FOR THE LATEST REVISION.

DWN L.SIPE 26OCT2001  
 CHK D.DEFIBAUGH 26OCT2001  
 APVD G.GRIFFITH 18APR2005

Tyco Electronics Corporation  
 Harrisburg, PA 17105-3608

NAME KEY/ESD GUIDE MODULE ASSEMBLY,  
 20.3mm, MULTIGIG,  
 DAUGHTER CARD

SIZE A2 CAGE CODE 00779 DRAWING NO. 1410297 RESTRICTED TO -

MATERIAL 1 - FINISH 2 -

PRODUCT SPEC - APPLICATION SPEC - WEIGHT -

CUSTOMER DRAWING SCALE 1:1 SHEET 1 OF 1 REV A2

# Mouser Electronics

Authorized Distributor

Click to View Pricing, Inventory, Delivery & Lifecycle Information:

[TE Connectivity:](#)

[1-1410297-5](#)